

SITRANS F flowmeters

SITRANS F M

Magnetic water meter MAG 8000

Overview



MAG 8000 is a battery powered electromagnetic water meter designed according to the global water meter standard OIML R49 and the European CEN EN 14154. The meter fulfills the special customer demands to water applications within abstraction, distribution network, revenue metering as well as irrigation. All functionalities integrated in one meter to optimize water supply and use of highly scanty resources.

MAG 8000 is a comprehensive meter which intelligent information and high performance measurement as well as the easy to install concept take cost of owner ship and customer service to a new level for water meter.

Features like 6 years maintenance-free battery-powered operation and no moving parts provide long-term accuracy measurement.

Benefits

Easy to install

- Compact or remote solution with factory mounted cable
- IP68/NEMA 6P enclosure. Sensor can be buried
- Flexible power supply - internal or external battery pack or mains power supply with battery backup (in preparation)

Superior measurement

- Down to 0.2% maximum uncertainty
- OIML R49 type approval
- Bi-directional measurement

Long lasting performance/Cost of Ownership

- No moving parts means less wear and tear
- 6 years operation in typical revenue application
- Robust construction build for the application

Intelligent information, easy to access

- Advanced information on site
- Data logger for consumption profile
- Advanced statistics and diagnostics
- Add-on communication module

Application

MAG 8000 has been developed as a stand alone water meter for applications within:

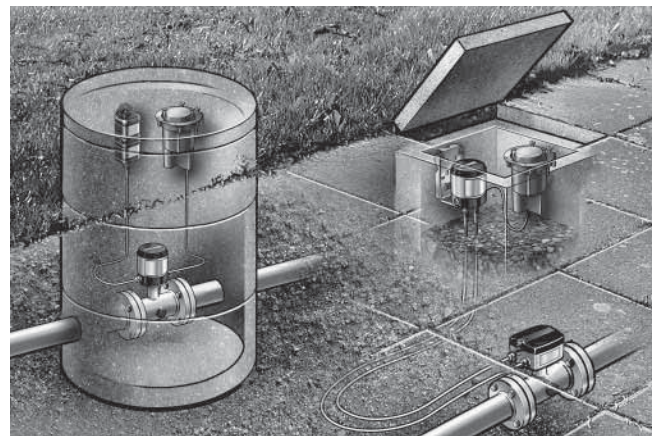
- Abstraction
- Distribution network (from treatment plant to customer)
- Revenue metering (measuring water delivered for billing purpose)
- Irrigation (measuring water delivered for billing purpose and water consumption)

Design

MAG 8000 is designed according to OIML R49 and CEN EN 14154 water meter standards with focus on minimized power consumption.

The product program consists of

- Basic version: For general water applications
- Advanced version: With advanced information and functionality.
- A Custody Transfer version for water billing, with type approval and verified after OIML R49 for DN 50 ... DN 300
- Sensor sizes from DN 25 ... 600 (1" ... 24")
- Compact and remote installation in IP68/NEMA 6P enclosure and factory mounted cable
- Flexible power supply; internal or external battery pack or mains power supply with battery backup (in preparation)
- Add-on communication modules
- PC configuration SIMATIC PDM and Flow Tool PC configuration software
- Customer setting from factory



Add-on communication module (left), PC-IrDA connection (right)

SITRANS F flowmeters

SITRANS F M

Magnetic water meter MAG 8000

4

Function

MAG 8000 is a microprocessor-based water meter with graphical display and key for optimum customer operation and information on site. The transmitter drives the magnetic field in the sensor, evaluates the flow signal from the sensor and calculates the volume passing through. It delivers the required information via the integrated pulse output or communication interfaces as part of a system solution. Its intelligent functionality, information and diagnostics ensure optimum meter performance and information to optimize water supply and billing.



MAG 8000 can be ordered as a Basic or an Advanced version. The Basic version is selected for general water applications whereas the Advanced version is for more advanced functionality and information. Both versions are configured to achieve 6 years battery operation in typical revenue applications.

MAG 8000 CT is identical to the Basic and the Advanced versions. Only difference is that revenue parameters and data are protected against manipulation. The Custody Transfer version also includes additional labels related to verification of the type approval.

Some information is accessible via the display whereas all information is accessible via the IrDA and communication interface with the PC Flow Tool or PDM software. Data and parameters are registered in a EEPROM. They can all be read, but changing the information demands a software password or a hardware key attached to the printed circuit board.

Features / Version	MAG 8000 Basic	MAG 8000 Advanced
Measuring frequency in battery power mode (Manually selected)	1/15 or 1/30 Hz	from 6.25 to 1/30 Hz depending of sensor size
Output	2 FW/RV/AI/CA (max. 50 Hz pulse rate)	2 FW/RV/AI/CA (max. 100 Hz pulse rate)
Communication	Add-on	Add-on
Data logger	Yes	Yes
Insulation test	-	Yes
Leakage detection	-	Yes
Meter utilization	-	Yes
Statistics	-	Yes
Tariff	-	Yes
Settle date (Revenue)	-	Yes

Technical specifications

Meter

Accuracy	
• Standard calibration	±0.4% of rate ±2mm/s
• Extended calibration	±0.2% of rate ±2mm/s
• Custody Transfer	OIML R49 for DN 50 ... DN 300, Class 1 and 2 with turn down up to Q3/Q1 = 400 at Q2/Q1 = 1.6
Media conductivity	Clean water > 20 µs/cm
Temperature	
• Ambient	-20 ... +60 °C (-4 ... +140 °F)
• Media	0 ... 70 °C (32 ... +158 °F)
• Storage	-40 ... +70 °C (-22 ... +158 °F)
Enclosure	IP68/NEMA 6P rating; Cable glands mounted requires Sylgard potting kit to remain IP68/NEMA 6P, otherwise IP67/NEMA 4 rating is obtained; Factory mounted cable provides IP68/NEMA 6P rating
Approvals	<ul style="list-style-type: none"> • WRc and NSF drinking water approval • OIML R49 Custody Transfer approval for billing
Conformity	<ul style="list-style-type: none"> • CEN EN 14154, ISO 4064 • PED: 97/23EC • EMC: EN 61000-6-3, EN 61000-6-2, EN 61326-1

Sensor

Size, flange and pressure range	
• EN 1092-1(DIN 2501)	<ul style="list-style-type: none"> • DN 25 and DN 40: PN 40 • DN 50 ... 150: PN 16 • DN 200 ... 600: PN 10 or PN 16
• ANSI 16.5 Class 150 lb	<ul style="list-style-type: none"> • 1" ... 2": 580 psi • 2" ... 6": 230 psi • 8" ... 12": 145 or 230 psi • 14" ... 24": 145 or 230 psi
• AS 4087	DN 50 ... 600: PN 16
Max. excitation frequency (Transmitter decide the selected excitation frequency)	<ul style="list-style-type: none"> • 6.25 Hz for sensor size DN 25 ... 200 (1" ... 8") • 3,125 Hz for sensor size DN 250 ... 600 (10" ... 24")
Liner	Hard rubber/composite elastomer
Electrode and grounding electrodes	AISI 316 Ti (1.4571)

Transmitter

Installation	Integral (compact) or remote with factory mounted cable in 5, 10, 20 or 30 m lengths with IP68/NEMA 6P connectors. Connection is made at the transmitter bottom.
Enclosure	Stainless steel top housing (AISI 316) and coated brass bottom. Remote wall mount bracket in stainless steel (AISI 304).
Cable entries	2 x M20 (one gland for one cable of size 6 ... 8 mm (0.02 ... 0.026 ft) is included in the standard delivery)

SITRANS F flowmeters

SITRANS F M

Magnetic water meter MAG 8000

4

Display and key	<ul style="list-style-type: none"> • Display with 8 digits for main information. Index, menu and status symbols for dedicated information • Key for toggling through the information and reset customer totalizer and call-up function • Selectable default information and accessible menus: <ul style="list-style-type: none"> - Operator - Meter - Service - Data Logger - Statistic and leakage (only Advanced version) - Revenue and Tariffs (only Advanced version) • Totalized information can be displayed with 1, 2, 3 decimals or automatic adjustment for maximum resolution 	Power supply	<p>Auto detection of power source with display symbol for operation power.</p> <p>Internal battery pack: 2 D-Cell 3.6 V / 33 Ah</p> <p>External battery pack: 4 D-Cell 3.6 V / 66 Ah</p> <p>Mains Power supply (in preparation):</p> <ul style="list-style-type: none"> • 12/24 V AC/DC (9 ... 32 V) 2 VA • 115/230 V AC (85 ... 264 V) 2 VA <p>Both mains power supply systems are upgradable for battery back up via internal D-Cell (3.6 V 16.5 Ah) or external battery pack. The power supply has 3 m (9.8 ft) power cable for external connection to mains supply.</p>
Flow unit	<ul style="list-style-type: none"> • Europe std. Volume in m³ and flow rate in m³/h • US std. Volume in Gallon and flow rate in GPM • Australian std. Volume in Ml and flow rate as Ml/d <p>Other units selectable:</p> <ul style="list-style-type: none"> • Volume: m³ x 100, l x 100, G x 100, G x 1000, MG, CF x 100, CF x 1000, AF, Al, kl • Flow: m³/min, m³/d, l/s, l/min, GPS, GPH, GPD, MGD, CFS, CFM, CFH • Other units are ordered from factory or manually configured on-site by sticking a label on the display and changing the scaling factors 	<p>Features</p> <p><u>Application Identification</u></p> <p>Tag number (visible on display if numbers are selected) and meter location, up to 15 characters per information.</p> <p><u>Time and date</u></p> <p>Real time clock and date (max. 15 min. change per year)</p> <p><u>Totalizer</u></p> <ul style="list-style-type: none"> • 2 totalizer: Forward, Reverse, Bidirectional netflow calculation and free selectable start value. • 1 customer totalizer, following totalizer 1 setting and resettable via display key or software with logging of date and time. <p><u>Measurement</u></p> <ul style="list-style-type: none"> • Free selectable volume and flow unit, where m³ and m³/h is default in display. All other units are displayed with a display label. • Excitation frequency in battery operation (manually selected): <ul style="list-style-type: none"> - Basic, max. selectable excitation frequency of 1/15 Hz - Advanced, max. selectable excitation frequency of 6.25 Hz and sensor related - Default excitation frequency is selected for typically 6 years operation in a revenue application; <ul style="list-style-type: none"> 1/15 Hz for DN 25 ... 200 (1" ... 8") 1/30 Hz for DN 250 ... 600 (10" ... 24") • Excitation frequency with mains power follow maximum sensor excitation frequency. • Filter constant as numbers of excitation frequency • Low flow cut off, % of Qn (Q3) • Empty pipe detection (active symbol on display when active) • Filter selection for mains power frequency (50/60 Hz) • Correction factor for change flow direction or to adjust flow measurement <p><u>Data logger</u></p> <ul style="list-style-type: none"> • Logging of 26 records: selectable as daily, weekly or monthly logging • Each logging includes: <ul style="list-style-type: none"> - Consumption on totalizer 1 - Consumption on totalizer 2 - Alarm in current period (13 alarms) - Meter status (8 values) • Alarm on high or low consumption for selected logging period • Totalizer 1 values for all 26 periods can be read on the display 	
Digital output	<ul style="list-style-type: none"> • 2 passive outputs (MOS), individual galvanically isolated • Maximum load ± 35 V DC, 50 mA short circuit protected • Output A function Programmable as pulse volume – forward – reverse – forward/net – reverse/net • Output B function Programmable as pulse volume (like output A), alarm or call-up • Output Max. pulse rate of 50 Hz (only Basic version) and 100 Hz (only Advanced version), pulse width of 5, 10, 50, 100, 500 ms 		
Communication	<p>IrDA: Standard integrated infrared communication interface with MODBUS RTU protocol</p> <p>Add-on modules:</p> <ul style="list-style-type: none"> • RS 232 serial interface with MODBUS RTU (Rx/Tx/GND), point to point with max. 15 m cable • RS 485 serial interface with MODBUS RTU (+/-GND), multi-drop with up to 32 devices with max. 1000 m cable <p>MODBUS RTU protocol is an open protocol (further information available on request) Serial speed 1200, 2400, 4800, 9600, 19200, 38400 Baud</p>		

Alarm

- Active alarm is indicated on the display
- Monitoring of all alarms with statistic recording on each alarm
 - Total hours an alarm has been active
 - Numbers of time the alarm has been activated
 - First time an alarm appears
 - Last time the alarm disappears
- Fatal faults is monitored before each measurement and interrupt the measurement, if active
 - Signal insulation – Flow signal immunity is influenced (only Advanced version)
 - Coil current – Fault in driving magnetic sensor field
 - Amplifier – Fault in signal circuit
 - Check sum – Fault in calculation or handling of data
- Warning faults
 - Low Power – customer selectable battery alarm level or power drop out
 - Flow overflow – Flow in sensor exceeds Q_{max} (125% Q_n (Q3))
 - Pulse overflow on output A and B – Selected pulse volume is too small compared to actual flow rate and max. output pulse rate.
 - Consumption – saved data logger consumption exceeds customer selected limit on high or low consumption
 - Leakage – Leakage detected based on customer settings (only Advanced version)
 - Empty pipe – no water in the pipe / sensor
 - Low impedance - measured electrode impedance below customer low impedance level
 - Flow limit – actual flow exceeds selected high flow limited

Meter status (tamper monitoring of revenue data)

Monitoring of important revenue parameters and data

- Changing totalizers 1 and 2
- Changing Tariff totalizer
- Changing Tariff settings
- Changing date and time
- Alarm has been active (see alarm log for details)
- Fault log has been reset
- Hardware Key has been broken
- Meter has been repowered

Data protection

- All data stored in an EEPROM. Totalizers 1 and 2 are backed up every 10 min, statistic every hour and power consumption and temperature measurement every 4 hour.
- Password protection of all parameters and hardware protection of calibration and revenue parameters.

Battery power management

- Optimal battery information on remaining capacity.
- Calculated capacity includes all consuming elements and available battery capacity is adjusted related to change in ambient temperature.
- Numbers of power ups
- Date and time registered for first and last time power alarm.

Diagnostic

- Continuous self test including
 - Coil current to drive the magnetic field
 - Signal input circuit
 - Data calculation, handling and storing
- Features
 - Alarm statistics and logging for fault analyzing
 - Electrode impedance to check actual media contact
 - Flow simulation to check pulse and communication signal chain for correct scaling
 - Number of sensor measurements (excitations)
 - Transmitter temperature (battery capacity calculation)
 - Low impedance alarm for change in media
 - Flow alarm when defined high flow exceeds
 - Verification mode for fast measure performance check
- Advanced version includes
 - Insulation „Cross-Talk“ test
 - Meter utilization
 - Consumption profile
 - Statistic flow and consumption data

Insulation test (only Advanced version)

Test of signal immunity against disturbance and bad installation. Test interval is selectable and measurement is interrupted during the test period of 4 min.

Leakage detection (only Advanced version)

Monitoring the lowest flow or volume during selected time window within 24 hours. Leakage is detected over a selectable period where monitored value exceed the possible leakage level. Min and max values are stored with date registration. Last store value visible on the display.

Meter Utilization (only Advanced version)

6 registers for monitoring total time the meter has operated in different flow intervals. Registered intervals are free selectable as % of Q_n (Q3)

Tariff (only Advanced version)

6 tariff registers count the volume delivered within the selected tariff windows, based on time of day or flow rates or a combination.

Tariff can also be used for consumption profile where consumption is related to different time intervals or flow rates.

Tariff values visible on the display.

Settling date (only Advanced version)

On a predefined date the totalizer 1 index value is stored. Old values are stored to show the latest two totalized 1 index values.

Settling values visible on the display.

Statistic (only Advanced version)

- Min. flow rate with time and date registration
- Max. flow rate with time and date registration
- Min. daily consumption with date registration
- Max. daily consumption with date registration
- Latest 7 days total and daily consumption
- Actual month consumption
- Latest month consumption

PC Configuration Software

- Flow Tool for parameter configuration and data collection via IrDA interface (free download from internet).
 - Meter configuration – online and offline mode
 - Own parameter settings
 - Parameter documentation
 - Print and export of data and parameters
- Flow Tool meter device drivers
 - Versions 1.0, 2.0 and 3.0
 - Latest version downloadable from the Internet
- PDM 6.0 Service Pack 1 – Basic and Online version

SITRANS F flowmeters

SITRANS F M

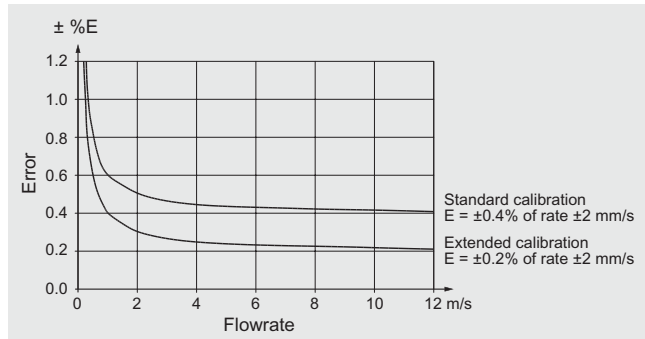
Magnetic water meter MAG 8000

MAG 8000 water meter uncertainty

To ensure continuous accurate measurement, water meters must be calibrated. Calibration is conducted at SIEMENS flow facilities accredited according to ISO/IEC 17025 by DANAK and UKAS.

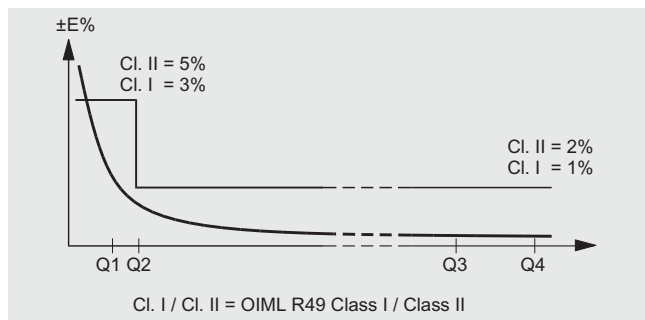
The accreditation bodies DANAK and UKAS have signed the ILAC MRA agreement (International Laboratory Accreditation Cooperation - Mutual Recognition Arrangement). Therefore the accreditation ensures international traceability and recognition of the test results in 39 countries world wide, including US (NIST traceability).

The selected calibration determines the accuracy of the meter. A standard calibration results in max $\pm 0.4\%$ uncertainty and an extended calibration $\pm 0.2\%$. A calibration certificate follows every sensor and calibration data are stored in the meter unit.



MAG 8000 CT (Revenue program) water meter type approval

MAG 8000 CT program is type approved and verified according to international water meter standard OIML R49. The Custody Transfer program is approved as Class I and Class II, for the sensor program from DN 50 to DN 300, at different Q3 and Q3/Q1. Q2/Q1 = 1.6 and follows standard OIML R49 specification.



OIML R49 Pattern approval specification for Class I (1%)

Size	50 (2")	65 (2½")	80 (3")	100 (4")	125 (5")	150 (6")	200 (8")	250 (10")	300 (12")
„R“ Q3/Q1	250	250	250	250	250	250	250	250	160
Q1 [m³/h]	0.25	0.40	0.63	1.00	1.60	2.50	4.00	6.40	10.0
Q2 [m³/h]	0.40	0.64	1.00	1.60	2.50	4.00	6.40	10.0	16.0
Q3 [m³/h]	63	100	160	250	400	630	1000	1600	1600
Q4 [m³/h]	78.75	125	200	312.5	500	787.5	1250	2000	2000

OIML R49 Pattern approval specification for Class II (2%)

Size	50 (2")	65 (2½")	80 (3")	100 (4")	125 (5")	150 (6")	200 (8")	250 (10")	300 (12")
„R“ Q3/Q1	400	400	400	400	400	400	400	400	250
Q1 [m³/h]	0.16	0.25	0.40	0.63	1.00	1.60	2.5	4.0	6.3
Q2 [m³/h]	0.25	0.40	0.63	1.00	1.60	2.50	4.00	6.40	10.0
Q3 [m³/h]	63	100	160	250	400	630	1000	1600	1600
Q4 [m³/h]	78.75	125	200	312.5	500	787.5	1250	2000	2000

Calibration references conditions (ISO 9104 and DIN EN 29104)

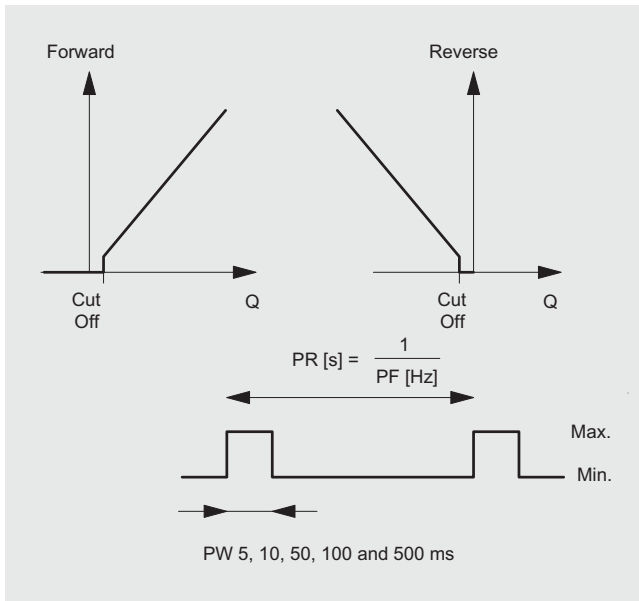
Media temperature	20 °C ± 5 K (68 °F ± 9 °F)
Ambient temperature	20 °C ± 5 K (68 °F ± 9 °F)
Warming-up time	30 min.
Incorporation in pipe section	
• Inlet section	10 x DN
• Outlet section	5 x DN
Flow conditions	Fully developed flow profile

Installation conditions

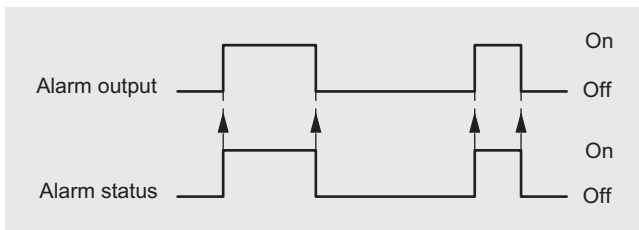
Please refer to "System information MAGFLO electromagnetic flowmeters".

Battery packs must be installed with the top part in upwards direction to reach maximum capacity.

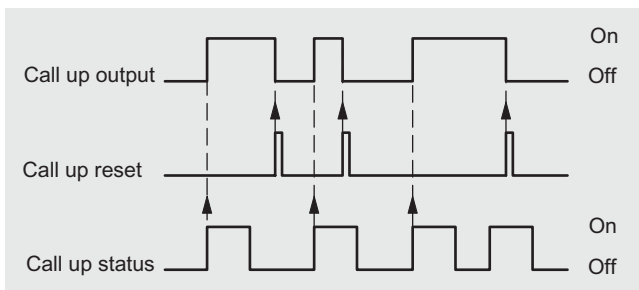
Output configuration



Pulse volume: Output A/B configured as volume per pulse, the output delivers a pulse when the preset volume has passed the selected direction, calculated on forward/reverse or Net forward/reverse flow. The volume per pulse is freely scalable, from 0.0001 to 10,000 meter-unit per pulse. PR = pulse rate and PF = pulse frequency.



Alarm: The alarm will follow the internal alarm status.



Call up: The "call-up" output is active until manually reset via key on display or via communication. The call-up function is activated when an alarm is activated.

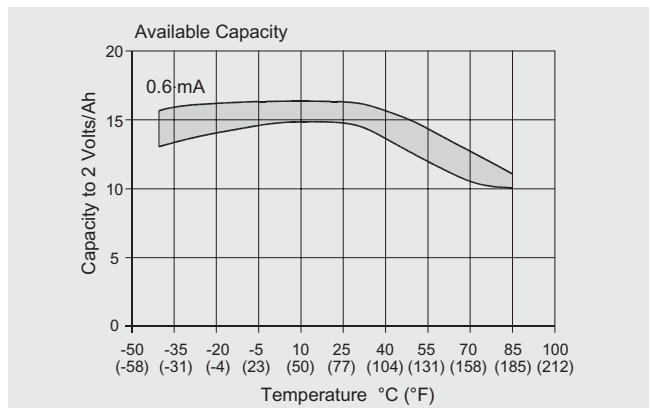
MAG 8000 has a special net pulse output that includes bidirectional flow calculations. This is special for installations where the meter is connected to a system with only one input. The example shows that over time, the net pulse output indicates the bidirectional totalized meter calculations. Same principle for forward and reverse flow calculations.

Flow	Net totalizer in meter display (Bi-directional)	Pulse output forward Uni-directional mode		Pulse output net forward Bi-directional mode	
		Volume [m ³]	Volume [m ³]	Volume [m ³]	Volume [m ³]
	Volume [m ³]	Internal calculation	Delivered volume	Internal calculation	Delivered volume
	0	-	0	0	0
	10	-	10	0	10
	-2	-	0	-12	0
	18	-	20	-12+20=	8
Total accounted volume [m ³] Forward/reverse	18F	-	30F		18F

Battery operation time and calculation

The battery operation time depends on the connected battery pack as well as the operation condition of the meter. A program is available to calculate your expected operation time.

MAG 8000 calculates the remaining capacity every 4 hours and included all consuming elements. Calculation compensates for temperature influence on battery capacity (see drawing).



The effect from other temperatures can be seen from the figure. A variation in temperature from 15 °C to 55 °C (59 to 131 °F) reduces the capacity by 17% in the table from 15 Ah to 12.5 Ah.

At typical revenue scenario of expected battery operation time can be seen in the table. For other scenario use the battery operation calculation program (Download from the Internet).

SITRANS F flowmeters

SITRANS F M

Magnetic water meter MAG 8000

The measurement is only completed if the system has no active fatal faults or the empty pipe is active. Maximum battery specification is 10 years operation.

Scenario - Revenue application

Output A	Pulse rate max. 10 Hz
Output B	Alarm or call-up
Meter dialog	1 hour per month
Add-com	None
Temperature profile	<ul style="list-style-type: none"> • 5% @ 0 °C (32 °F) • 80% @ 15 °C (59 °F) • 15% @ 50 °C (122 °F)

4

Excitation frequency (24 h operation)		1/30 Hz	1/15 Hz	3,125 Hz	6,25 Hz
One D-Cell battery 16.5 Ah Internal mains back up for 10 years operation	DN 25...200 (1" ... 8")	1½ year	1 year	20 days	10 days
	DN 250 ... 600 (10" ... 24")	1 year	8 months	10 days	NA
Two D-Cell battery 33 Ah Internal battery pack	DN 25 ... 200 (1" ... 8")	8 year	6 year	4 months	2 months
	DN 250 ... 600 (10" ... 24")	6 year	4 year	2 months	NA
Four D-Cell battery 66 Ah External battery pack	DN 25 ... 200 (1" ... 8")	10 year	10 year	8 months	4 months
	DN 250 ... 600 (10" ... 24")	10 year	8 year	4 months	NA

External battery pack can be used as battery back up for mains power supply.

Serial RS 232 / RS 485 add-on communication modules are designed for mains powered systems as the battery operation time will be reduced. At 1 hour communication per month (all meter data collected 2 times per day) and the module is connected, the operation time is reduced to:

- RS 232 at low excitation frequency to 10% and at high excitation frequency to 80% of calculated operation time
- RS 485 at low excitation frequency to 50% and at high excitation frequency to 90% of calculated operation time

SITRANS F flowmeters

SITRANS F M

Magnetic water meter MAG 8000

Selection and Ordering data	Order-No.
SITRANS F M	
MAG 8000 water meter	7 ME 6 8 1 0 -
Diameter	
DN 25 (1")	2 D
DN 40 (1½")	2 R
DN 50 (2")	2 Y
DN 65 (2½")	3 F
DN 80 (3")	3 M
DN 100 (4")	3 T
DN 125 (5")	4 B
DN 150 (6")	4 H
DN 200 (8")	4 P
DN 250 (10")	4 V
DN 300 (12")	5 D
DN 350 (14")	5 K
DN 400 (16")	5 R
DN 450 (18")	5 Y
DN 500 (20")	6 F
DN 600 (24")	6 P
Flange norm and pressure rating	
<u>EN 1092-1</u>	
PN 10 (DN 200 ... 600 / 8" ... 24")	B
PN 16 (DN 50 ... 600 / 2" ... 24")	C
PN 40 (DN 25 ... 40 / 1" ... 1½")	F
<u>ANSI B16.5</u>	
Class 150	J
<u>AS4087</u>	
PN 16	N
Sensor version	
Coned bore sensor DN 50 ... 300 (2" ... 12")	1
Full bore sensor DN 25, DN 40, DN 350 ... 600 (1", 1½", 14" ... 24")	2
Calibration	
Standard ± 0.4% of rate ± 2 mm/s	1
Extended ± 0.2% of rate ± 2 mm/s	2
Region version	
Europe (m³, m³/h, 50 Hz)	1
USA (Gallon, GPM, 60 Hz)	2
Australien (ML, l/h, 50 Hz)	3
Transmitter type and installation	
Basic version integral on sensor	A
Basic version remote, 5 m (16.4 ft) mounted cable on sensor with IP68/NEMA 6P plugs	B
Do - 10 m (32.8 ft)	C
Do - 20 m (65.6 ft)	D
Do - 30 m (98.4 ft)	E
Advanced version integral on sensor	K
Advanced version remote, 5 m mounted cable on sensor with IP68/NEMA 6P plugs	L
Do - 10 m (32.8 ft)	M
Do - 20 m (65.6 ft)	N
Do - 30 m (98.4 ft)	P
Communication interface	
No additional "add-on" communication module installed	A
Serial RS 485 with MODBUS RTU (Terminated as end device)	B
Serial RS 232 with MODBUS RTU	C

Selection and Ordering data	Order-No.
SITRANS F M	
MAG 8000 water meter	7 ME 6 8 1 0 -
Power supply	
Internal battery (no battery included)	0
Internal battery pack installed ¹⁾	1
External battery with 1.5 m (4.9 ft) power cable with IP68/NEMA 6P plugs, no battery included	2
12/24 V AC/DC power supply with battery back up and 3 m (9.8 ft) power cable for external connection. (Battery not included) (in preparation)	3
115/230 V AC power supply with battery back up and 3 m (9.8 ft) power cable for external connection. (Battery not included) (in preparation)	4

1) Lithium batteries are subject to special transportation regulations according to United Nations "Regulation of Dangerous Goods, UN 3090 and UN 3091". Special transport documentation is required to observe these regulations. This may influence both transport time and costs.



SITRANS F flowmeters

SITRANS F M


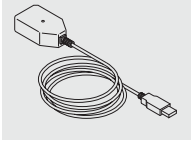
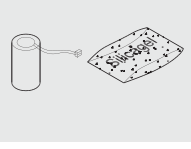
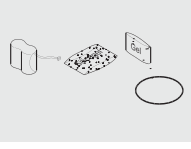
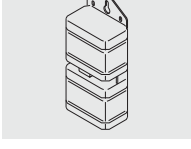
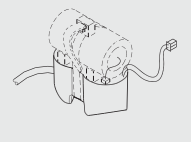
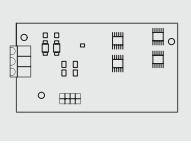

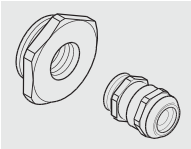
Magnetic water meter MAG 8000




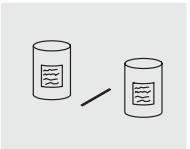
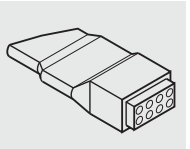
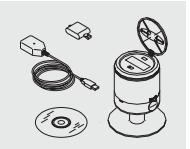
4

Further designs	Order Code
Please add "-Z" to Order No. and specify Order code(s).	
<u>Flow unit</u>	
l/s	L00
MGD	L01
CFS	L02
l/min	L03
m ³ /min	L04
GPM	L05
CFM	L06
l/h	L07
m ³ /h	L08
GPH	L09
CFH	L10
GPS	L11
Ml/d	L12
m ³ /d	L13
GPD	L14
<u>Totalizer</u>	
Volume calculation (default totalizer 1= forward and totalizer 2 = reverse)	
Totalizer 1 = RV, reverse flow	L20
Totalizer 1 = NET, net flow	L22
Totalizer 2 = FW, forward flow	L30
Totalizer 2 = NET, net flow	L31
<u>Volume unit</u>	
m ³	L40
MI	L41
G	L42
AF	L43
l x 100	L44
m ³ x 100	L45
G x 100	L46
CF x 100	L47
MG	L48
G x 1000	L49
CF x 1000	L50
AI	L51
KI	L52
<u>Pulse set up</u> (default pulse A= forward and pulse B = Alarm)	
A function = RV, reverse flow	L62
A function = FWnet, forward net flow	L63
A function = RVnet, reverse net flow	L64
A function = Off	L65
Volume per pulse A = x 0.0001	L70
Volume per pulse A = x 0.001	L71
Volume per pulse A = x 0.01	L72
Volume per pulse A = x 0.1	L73
Volume per pulse A = x 1	L74
B function = FW, forward flow	L80
B function = RV, forward flow	L81
B function = FWnet, forward net flow	L82
B function = RVnet, reverse net flow	L83
B function = Alarm	L84
B function = Call up	L85
Volume per pulse B = x 0.0001	L90
Volume per pulse B = x 0.001	L91
Volume per pulse B = x 0.01	L92
Volume per pulse B = x 0.1	L93
Volume per pulse B = x 1	L94

Further designs	Order Code
Please add "-Z" to Order No. and specify Order code(s).	
<u>Various</u>	
Protection of CT parameters	M02
<u>Data logger set up</u> (default month logging)	
DataloggerInterval = Daily	M31
DataloggerInterval = Weekly	M32
<u>Factory mounted cables</u>	
5 m (16.4 ft) pulse cable A+B	M81
5 m (16.4 ft) communication cable RS 232/RS 485 terminated as end device	M82
2 x 5 m (16.4 ft) pulse A+B and communication cable	M83
20 m (65.6 ft) pulse cable A+B	M84
20 m (65.6 ft) communication cable RS 232/RS 485 terminated as end device	M85
2 x 20 m (65.6 ft) pulse A+B and communication cable	M86
Cello 2 channel, input cable 3 m (9.84 ft) with Brad Harrison micro-change 3 way connector	M87
Cello 2 channel, input cable 5 m (16.4 ft) with MIL-C-26482 spec. connectors	M89

Accessories

Description	Order No.	Symbol
PC Flow Tool on CD (Download for free from www.siemens.com/flow)	FDK:087L6001	
IrDA infrared interface adapter with USB for data acquisition with 1.2 m (3.9 ft) cable	FDK:087L4163	
Battery back up for mains power supply, one pc. D-cell (3.6 V, 16.5 Ah) Attention on note 1)	FDK: 087L4201	
Internal battery pack, one set D-cell (3.6 V 33 Ah) and accessories for replacement Attention on note 1)	FDK:087L4150	
External battery pack IP68/NEMA 6P with connector, four D-cell (3.6 V 66 Ah) Attention on note 1)	FDK:087L4151	
Mains power supply 12 ... 24 V AC/DC with battery back up and 3 m (9.8 ft) power cable for external connection (no battery included) (in preparation)	FDK:087L4210	
Mains power supply 115 ... 230 V AC with battery back up and 3 m (9.8 ft) power cable for external connection (no battery included) (in preparation)	FDK:087L4211	
RS 232 add-on module, point to point communication interface with MODBUS RTU protocol	FDK:087L4212	
RS485 add-on module, multidrop communication interface with MODBUS RTU protocol	FDK:087L4213	
Cable entry one 6 ... 8 mm (0.02 ... 0.026 ft) M20 brass glands package (1 pc)	FDK:087L4196	
Cable entry one 3.5 ... 5 mm (0.011 ... 0.016 ft) M12 brass glands with M20 reduction. Package of 10 pcs	FDK:087L4154	

Description	Order No.	Symbol
Cable entry one 6 ... 8 mm (0.02 ... 0.026 ft) M20 brass glands package (10 pcs)	FDK:087L4155	
Cable entry one 8 ... 11 mm (0.026 ... 0.036 ft) M20 brass glands package (10 pcs)	FDK:087L4156	
Cable entry one 11 ... 15 mm (0.036 ... 0.049 ft) M20 brass glands package (10 pcs)	FDK:087L4157	
Cable entry two 3.5 ... 5 mm (0.011 ... 0.016 ft) M20 brass glands package (10 pcs)	FDK:087L4158	
Cable entry two 5.5 ... 7.5 mm (0.018 ... 0.024 ft) M20 brass glands package (10 pcs)	FDK:087L4159	
IP68/NEMA 6P potting kit	FDK:085U0220	
MAG 8000 Hardware key to access protected parameters	FDK:087L4165	
MAG 8000 demo - training unit pack operating on Alkaline batteries. Transmitter with Flow tool CD, IrDA interface adapter and hardware key (No dangerous goods limitations)	FDK:087L4080	
Alkaline battery for MAG 8000 demo transmitter (3 V 13 Ah) (No dangerous goods limitations)	FDK: 087L4142	


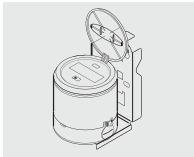


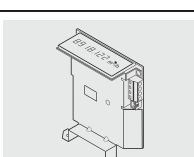

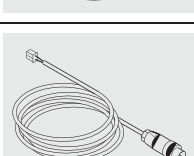
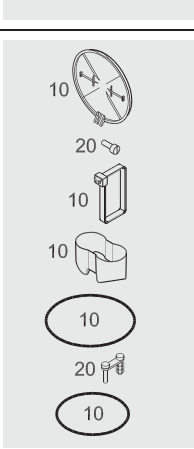
1) Lithium batteries are subject to special transportation regulations according to United Nations "Regulation of Dangerous Goods, UN 3090 and UN 3091". Special transport documentation is required to observe these regulations. This may influence both transport time and costs.

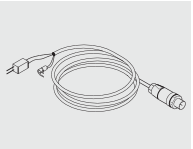
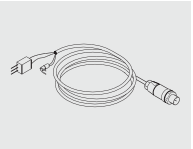


SITRANS F flowmeters

SITRANS F M

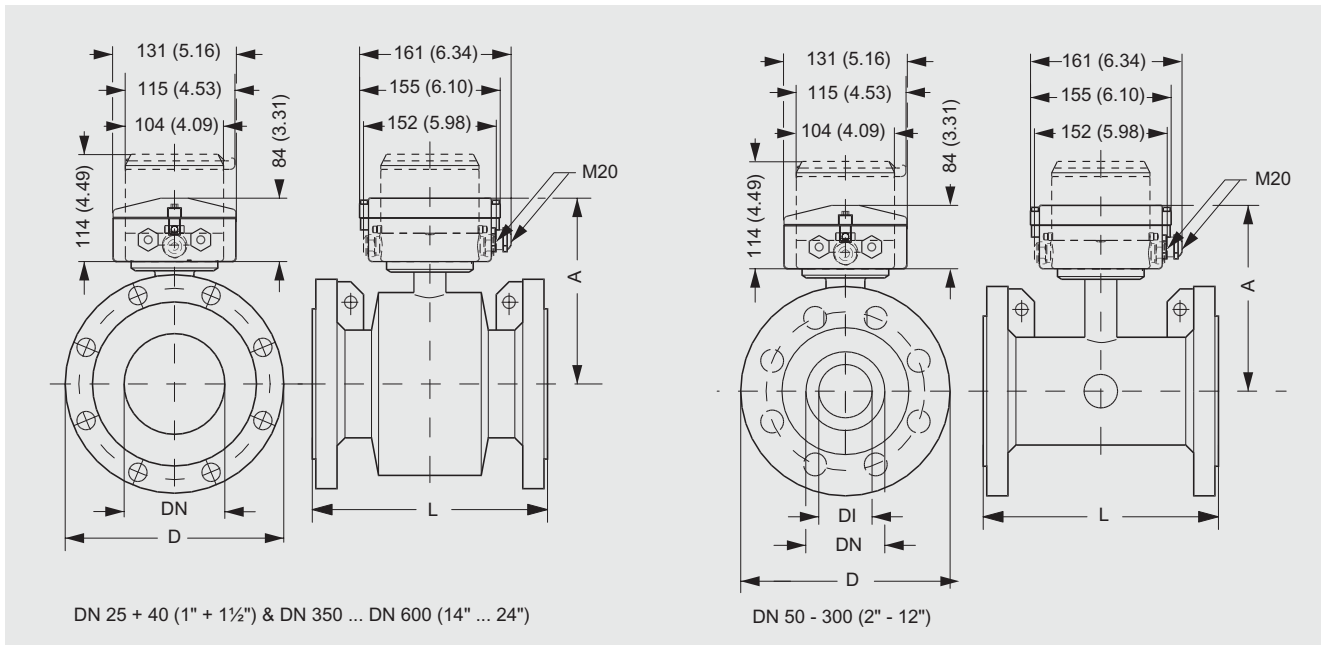
Magnetic water meter MAG 8000

Spare parts

Description	Order No.	Symbol
MAG 8000 (Basic version) transmitter compact replacement kit. System number specified by ordering. No battery included	FDK:087L4166	
MAG 8000 (Basic version) transmitter remote replacement kit. System number specified by ordering. No battery included	FDK:087L4202	
MAG 8000 (Advanced version) transmitter compact replacement kit. System number specified by ordering. No battery included	FDK:087L4203	
MAG 8000 (Advanced version) transmitter remote replacement kit. System number specified by ordering. No battery included.	FDK:087L4204	
MAG 8000 (Advanced version) transmitter PCB replacement kit	FDK:087L4168	
Enclosure top including plastic lid, screws and blank product label	FDK:087L4167	
Cable for external battery pack, 1.5 m (4.92 ft) with IP68/NEMA 6P connector	FDK:087L4152	
Service tool kit package with various component for service and replacement.	FDK: 087L4162	

Description	Order No.	Symbol
Remote cable set 5 m (16.4 ft) with IP68/NEMA 6P plugs	FDK: 087L4108	
Remote cable set 10 m (32.8 ft) with IP68/NEMA 6P plugs	FDK: 087L4109	
Remote cable set 20 m (65.6 ft) with IP68/NEMA 6P plugs	FDK: 087L4110	
Remote cable set 30 m (98.4 ft) with IP68/NEMA 6P plugs	FDK: 087L4111	

Dimensional drawings



Nominal DN size	A	L, lengths					D, diameter		Weight ¹⁾	
		EN 1092-1 PN 10	EN 1092-1 PN 16	EN 1092-1 PN 40	ANSI 16.5 Class 150	AS 4087 PN 16	DI	DO		
mm (inch)	mm (inch)	mm	mm	mm	inch	mm	mm (inch)	mm (inch)	kg	lbs
25 (1)	194 (7.7)	-	-	200	7.9	200	25 (0.98)	See flange table	6	13
40 (1½)	204 (8.1)	-	-	200	7.9	200	40 (1.57)	See flange table	9	20
50 (2)	195 (7.7)	-	200	-	7.9	200	42 (1.65)	See flange table	11	25
65 (2½)	201 (8)	-	200	-	7.9	200	55 (2.17)	See flange table	13	29
80 (3)	207 (8.2)	-	200	-	7.9	200	67 (2.64)	See flange table	15	34
100 (4)	214 (8.5)	-	250	-	9.8	250	81 (3.19)	See flange table	17	38
125 (5)	224 (8.9)	-	250	-	9.8	250	101 (3.98)	See flange table	22	50
150 (6)	239 (9.5)	-	300	-	11.8	300	131 (5.16)	See flange table	28	63
200 (8)	264 (10.5)	350	350	-	13.8	350	169 (6.65)	See flange table	50	113
250 (10)	291 (11.5)	450	450	-	17.7	450	212 (8.35)	See flange table	71	160
300 (12)	317 (12.6)	500	500	-	19.7	500	265 (10.43)	See flange table	88	198
350 (14)	369 (14.6)	550	550	-	21.7	550	350 (13.78)	See flange table	118	266
400 (16)	394 (15.6)	600	600	-	23.6	600	400 (15.75)	See flange table	146	329
450 (18)	425 (16.8)	600	600	-	23.6	600	450 (17.72)	See flange table	180	405
500 (20)	450 (17.8)	625	625	-	26.8	625	500 (19.68)	See flange table	234	527
600 (24)	501 (19.8)	750	750	-	32.3	750	600 (23.62)	See flange table	345	776

1) for remote version the sensor weight is reduced with 2 kg (4.5 lb)

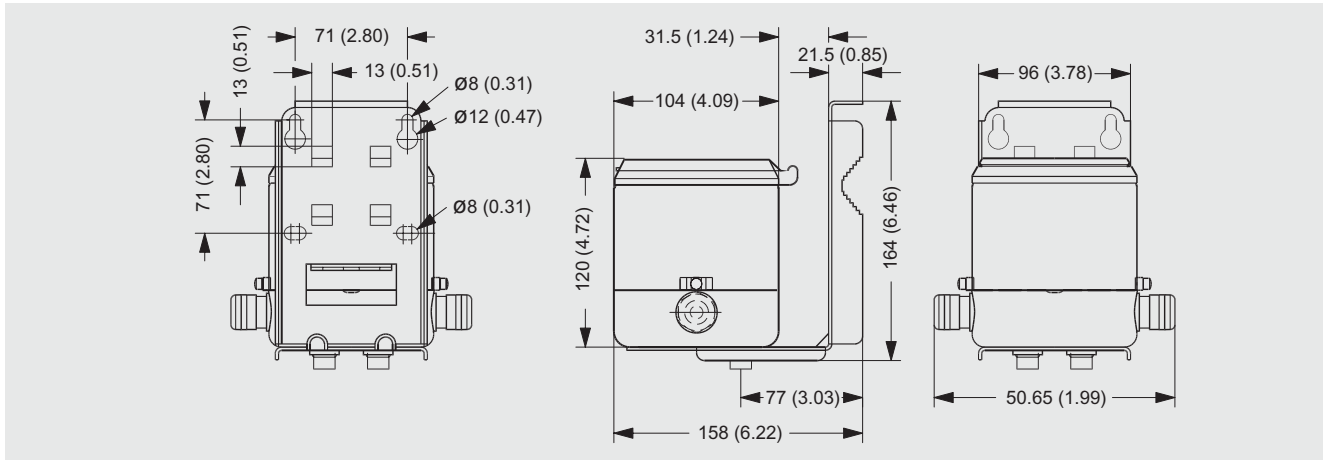
SITRANS F flowmeters

SITRANS F M

Magnetic water meter MAG 8000

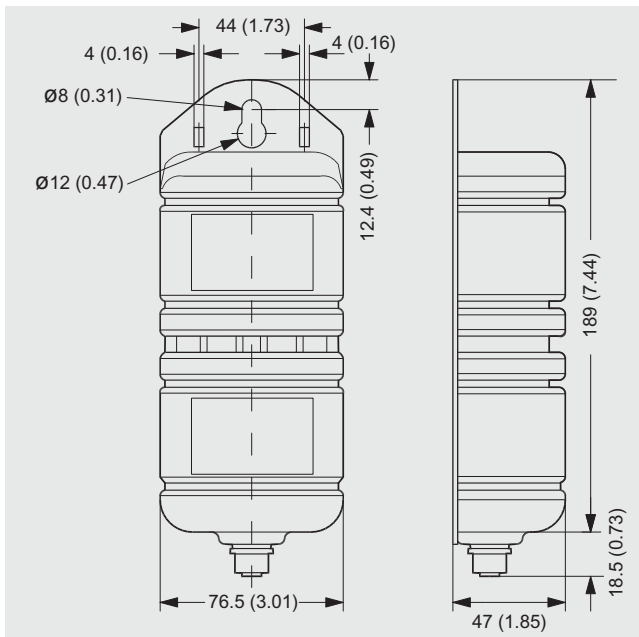
Remote version

4



Dimensions in mm (inch), weight 3.5 kg (8 lbs)

External battery pack

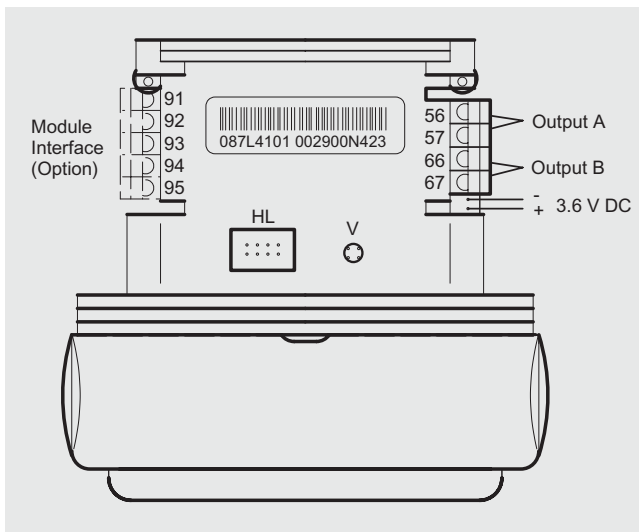


Dimensions in mm (inch), weight 2.0 kg (4.5 lbs)

Battery pack has to be mounted in upwards direction to ensure maximum battery capacity.

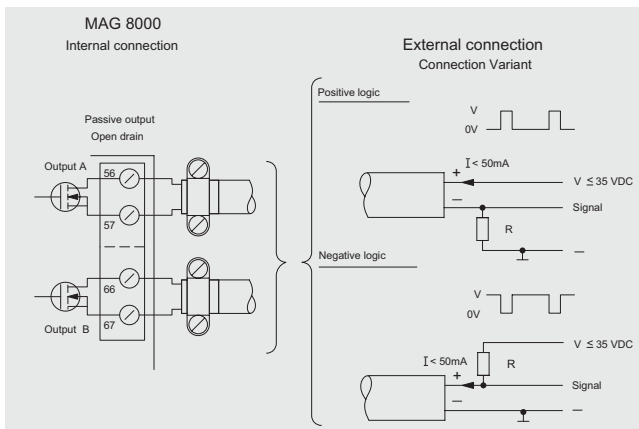
Schematics

Electrical installation and pulse output – Connection diagram



HL = Hardware lock key connection
V = Push button for verification mode

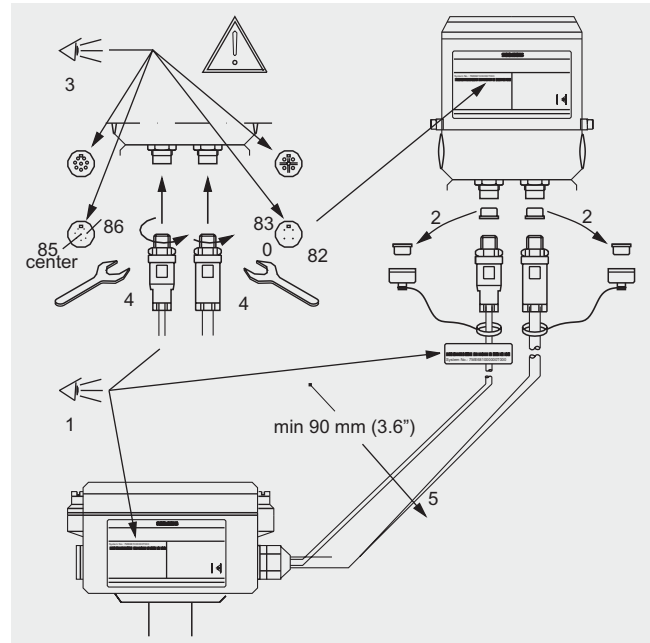
Pulse wire connection



The pulse output can be configured as volume, alarm or call-up. The output can be connected as positive or negative logic. R = pull up/down is selected in relation to the Vx power supply and with a max. current I of 50 mA.

Use shielded cable to avoid EMC problems. Make sure the shield is correct mounted under the cable clamp (no pig tail).

Remote installation



Remote solutions have factory mounted sensor cable with IP68/NEMA 6P plugs. Sensor cable has meter label (1) with system number to ensure transmitter and sensor are correct matched. The dust cover on the cable end and on the transmitter bottom must be screwed together for future protection (2). The connectors must be clean and duly fastened to secure a good signal detection (3+4).