

## Level Measurement

### Continuous level measurement

### Radar transmitters

#### SITRANS LR250 Flanged Encapsulated Antenna

#### Overview



SITRANS LR250 with flanged encapsulated antenna is a 2-wire, 25 GHz pulse radar level transmitter for continuous monitoring of liquids and slurries in storage and process vessels including corrosives or aggressive materials, to a range of 20 m (66 ft) (antenna dependent).

#### Benefits

- Fully encapsulated horn antenna design with FDA approved TFM 1600 PTFE lens for use in chemical and sanitary environments where aggressive and corrosive materials are used
- Cost effective replacement for transmitters made of exotic materials
- Graphical local user interface (LUI) makes operation simple with plug-and-play setup using the intuitive Quick Start Wizard
- LUI displays echo profiles for diagnostic support
- 25 GHz high frequency and 50 mm (2 inch) process connection/antenna allow for easy mounting
- Insensitive to mounting location and obstructions, and less sensitive to nozzle interference
- Short blanking distance for improved minimum measuring range to 50 mm (2 inch) from the end of the antenna
- Communication using HART, PROFIBUS PA, or FOUNDATION Fieldbus
- Process Intelligence signal processing for improved measurement reliability and Auto False-Echo Suppression of fixed obstructions
- Programming using infrared Intrinsically Safe handheld programmer or over a network using SIMATIC PDM, Emerson AMS, or Field Device Tools such as PACTware or Fieldcare via SITRANS DTM
- Functional Safety (SIL 2). Device suitable for use in accordance with IEC 61508 and IEC 61511
- Suitable for API 2350

#### Application

SITRANS LR250 includes a graphical local user interface (LUI) that improves setup and operation by including an intuitive Quick Start Wizard, and echo profile displays for diagnostic support. Startup is easy using Quick Start Wizard with a few parameters required for basic operation.

The 25 GHz frequency creates a narrow, focused beam allowing for smaller antenna options and decreasing sensitivity to obstructions.

SITRANS LR250's unique design allows safe and simple programming using the Intrinsically Safe handheld programmer without having to open the instrument's lid.

SITRANS LR250 measures superbly in small vessels and in tanks/vessels up to 20 m (66 ft) on materials with  $dk > 1.6$ .

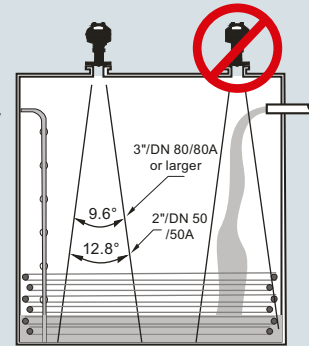
- Key Applications: liquid bulk storage tanks, process vessels with agitators, vaporous liquids, temperatures to 170 °C (338 °F), corrosive and aggressive materials and applications where ease of cleaning is required such as food or fine chemicals

#### Configuration

##### Installation

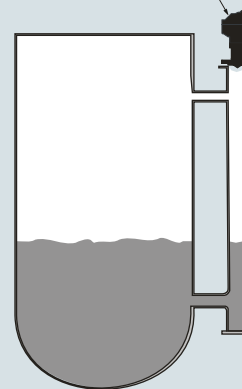
##### Note:

- Beam angle is the width of the cone where the energy density is half of the peak energy density.
- The peak energy density is directly in front of and in line with the antenna.
- There is a signal transmitted outside of the beam angle; therefore false targets may be detected.



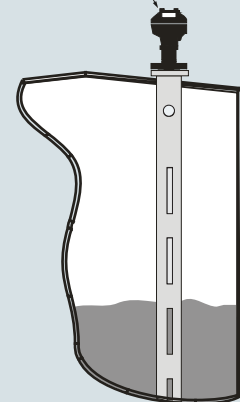
##### Mounting on bypass

Orient front or back of device toward vent.

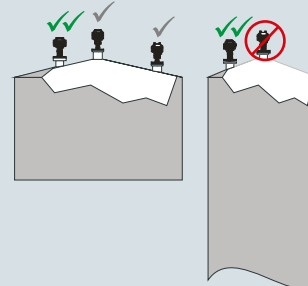


##### Mounting on stilling well

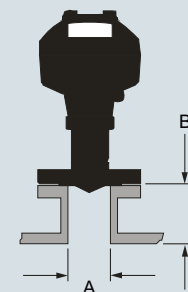
Orient front or back of device toward stillpipe slots.



##### Mounting on vessel



##### Mounting on a nozzle



A	B*
ø 50 (2)	500 (20) max.
ø 80 (3)	500 (20) max.
ø 100 (4)	500 (20) max.
ø 150 (6)	500 (20) max.

\*Reference conditions

SITRANS LR250 Flanged Encapsulated Antenna installation, dimensions in mm (inch)

## Level Measurement

Continuous level measurement  
Radar transmitters

### SITRANS LR250 Flanged Encapsulated Antenna

#### Technical specifications

##### Mode of operation

Measuring principle	Radar level measurement
Frequency	K-band (25.0 GHz)
Minimum measuring range	50 mm (2 inch) from end of antenna
Maximum measuring range	20 m (66 ft)

##### Output

HART	Version 5.1
• Analog output	4 ... 20 mA
• Accuracy	± 0.02 mA
• Fail-safe	• Programmable as high low or hold (loss of echo) • NE 43 programmable
PROFIBUS PA	Profile 3.01
• Function blocks	2 Analog Input (AI)
FOUNDATION Fieldbus	H1
• Functionality	Basic or LAS
• Version	ITK 5.2.0
• Function blocks	2 Analog Input (AI)

##### Performance (according to reference conditions IEC60770-1)

Maximum measured error	• > 500 mm from sensor reference point: 3 mm (0.118 inch) • < 500 mm from sensor reference point: 25 mm (1 inch)
Influence of ambient temperature	< 0.003 %/K

##### Rated operating conditions

Installation conditions	
• Location	Indoor/outdoor
Ambient conditions (enclosure)	
• Ambient temperature	-40 ... +80 °C (-40 ... +176 °F)
• Installation category	I
• Pollution degree	4

##### Medium conditions

Dielectric constant $\epsilon_r$	≥ 1.6 (antenna dependent)
Process temperature	-40 ... +170 °C (-40 ... +338 °F) at process connection
Process pressure	See Pressure/Temperature curves for more information (page 4/235)

##### Design

Enclosure	
• Material	Aluminum, polyester powder-coated
• Cable inlet	2 x M20 x 1.5 or 2 x 1/2" NPT
Degree of protection	Type 4X/NEMA 4X, Type 6/NEMA 6, IP67, IP68
Weight (dependent on process connection)	• Approx. 7 kg (15.43 lb) for 2" Class 150 ASME B16.5 raised face flange (smallest size) • Approx. 17.7 kg (39.02 lb) for 6" Class 150 ASME B16.5 raised face flange (largest size)
Display (local)	Graphic local user interface including quick start wizard and echo profile display
Antenna	
• Material	Stainless Steel 316L (1.4435 or 1.4404) and TFM 1600 PTFE Lens (lens is the only wetted part)
• Dimensions (nominal sizes)	48 mm (2 inch), 80 mm (3 inch), 100 mm (4 inch), 150 mm (6 inch)

##### Process connections

Flanged connection	Raised Face
	• 2, 3, 4, 6" Class 150 ASME B16.5 • 50A, 80A, 100A, 150A 10K JIS B 2220 • DN 50, DN 80, DN 100 & DN 150 PN 10/16 EN 1092-1 type B1

##### Power supply

4 ... 20 mA/HART	Nominal 24 V DC (max. 30 V DC) with max. 550 Ω
PROFIBUS PA	• 15 mA • Per IEC 61158-2
FOUNDATION Fieldbus	• 20.0 mA • Per IEC 61158-2

##### Certificates and approvals

General	CSA <sub>US/C</sub> , CE, FM, RCM
Radio	FCC, Industry Canada, RED, RCM
Hazardous	
• Explosion Proof (Brazil)	INMETRO Ex d ia mb IIC T4 Ga/Gb, Ex ia ta IIIC T100 °C Da
• Increased Safety (Brazil)	INMETRO Ex e ia mb IIC T4 Ga/Gb, Ex ia ta IIIC T100 °C Da
• Intrinsically Safe (Brazil)	INMETRO Ex ia IIC T4 Ga, Ex ia ta IIIC T100 °C Da
• Explosion Proof (Canada/USA)	CSA/FM Class I, Div. 1, Groups A, B, C, D; Class II, Div. 1, Groups E, F, G; Class III T4
• Intrinsically Safe (Canada/USA)	CSA/FM Class I, Div. 1, Groups A, B, C, D; Class II, Div. 1, Groups E, F, G; Class III T4
• Non-incendive (Canada/USA)	CSA/FM Class I, Div. 2, Groups A, B, C, D T5
• Flame Proof/Increased Safety (China)	NEPSI Ex d ia mb IIC T4 Ga/Gb, Ex e ia mb IIC T4 Ga/Gb, Ex iaD tD A20 IP67 T100 °C
• Intrinsically Safe (China)	NEPSI Ex ia IIC T4 Ga, Ex iaD tD A20 IP67 T100 °C
• Non-sparking/Energy Limited (China)	NEPSI Ex nA IIC T4 Gc
• Intrinsically Safe (Europe)	ATEX II 1G Ex ia IIC T4 Ga ATEX II 1D Ex ia ta IIIC T100 °C Da ATEX II 3G Ex nA IIC T4 Gc
• Non-sparking/Energy Limited (Europe)	IECEX/ATEX II 1/2 GD, 1D, 2D Ex d mb ia IIC T4 Ga/Gb, Ex ia ta IIC T100 °C Da
• Flame Proof (International/Europe)	IECEX/ATEX II 1/2 GD, 1D, 2D, Ex e mb ia IIC T4 Ga/Gb, Ex ia ta IIIC T100 °C Da
• Increased Safety (-International/Europe)	IECEX/ATEX II 1 G Ex ia IIC T4 Ga, IECEX/ATEX II 1D Ex ia ta IIIC T100 °C Da
• Intrinsically Safe (International)	IECEX/ATEX II 1 G Ex ia IIC T4 Ga, IECEX/ATEX II 1D Ex ia ta IIIC T100 °C Da
• Explosion Proof (Russia/Kazakhstan)	EAC Ex d
• Increased Safety (Russia/Kazakhstan)	EAC Ex e
• Intrinsically Safe (Russia/Kazakhstan)	EAC Ex ia
• Marine	• Lloyd's Register of Shipping • ABS Type Approval • Bureau Veritas
• Functional Safety	SIL-2 suitable in accordance with IEC 61508/61511

# Level Measurement

## Continuous level measurement

### Radar transmitters

#### SITRANS LR250 Flanged Encapsulated Antenna

Programming		Selection and Ordering data	Article No.
Intrinsically Safe Siemens handheld programmer	Infrared receiver	<b>SITRANS LR250 flanged encapsulated antenna</b> 2-wire, 25 GHz pulse radar level transmitter for continuous monitoring of liquids and slurries in storage and process vessels including high temperature and pressure, to a range of 20 m (66 ft) (antenna dependant). Ideal for corrosive, aggressive and low dielectric media.	<b>7ML5432-</b> 0 -
• Approvals for handheld-programmer	IS model: ATEX II 1 GD Ex ia IIC T4 Ga Ex ia D 20 T135 °C T <sub>a</sub> = -20 ... +50 °C CSA/FM Class I, II, III, Div. 1, Groups A, B, C, D, E, F, G, T6 T <sub>a</sub> = 50 °C IECEx SIR 09.0073	➤ Click on the Article No. for the online configuration in the PIA Life Cycle Portal.	
Handheld communicator	HART communicator 375/475	<b>Process Connection Material</b> Stainless steel 1.4404/1.4435	0
PC	• SIMATIC PDM • Emerson AMS • SITRANS DTM (for connection into FDT such as PACTware or Field-care)	<b>Process Connection Type</b> <u>Flanged Process Connection Types</u> (stainless steel 1.4404/1.4435)	
Display (local)	Graphic local user interface including quick start wizard and echo profile displays	2" Class 150 ASME B16.5 raised face <sup>1)</sup> 3" Class 150 ASME B16.5 raised face 4" Class 150 ASME B16.5 raised face 6" Class 150 ASME B16.5 raised face 50A 10K JIS B 2220 raised face <sup>1)</sup> 80A 10K JIS B 2220 raised face 100A 10K JIS B 2220 raised face 150A 10K JIS B 2220 raised face DN 50 PN 10/16 EN 1092-1 type B1 raised face <sup>1)</sup> DN 80 PN 10/16 EN 1092-1 type B1 raised face DN 100 PN 10/16 EN 1092-1 type B1 raised face DN 150 PN 10/16 EN 1092-1 type B1 raised face	B F B G B H B J F D F E F F F G A G B G C D
		<b>Communication/Output</b> PROFIBUS PA 4 ... 20 mA, HART, start-up at < 3.6 mA FOUNDATION Fieldbus	1 2 3
		<b>Enclosure/Cable inlet</b> Aluminum, Epoxy painted 2 x 1/2" NPT 2 x M20 x 1.5	0 1
		<b>Antenna lens material</b> TFM 1600 PTFE Flush Lens	A
		<b>Approvals</b> General Purpose, CE, CSA, FM, FCC, RED, RCM Intrinsically Safe: CSA/FM Class I, Div. 1, Groups A, B, C, D, Class II, Div. 1, Groups E, F, G, Class III T4 FCC, Industry Canada Intrinsically Safe: IECEx/ATEX II 1 G Ex ia IIC T4 Ga, IECEx/ATEX II 1D Ex ia ta IIIC T100 °C Da, INMETRO Ex ia IIC T4 Ga, Ex ia ta IIIC T100 °C Da, CE, RED, RCM Non-incendive: CSA/FM Class I, Div. 2, Groups A, B, C, D T5, FCC, Industry Canada Non Sparking: ATEX II 3G Ex nA IIC T4 Gc, CE, RED, RCM Increased Safety: IECEx/ATEX II 1/2 GD, 1D, 2D Ex e mb ia IIC T4 Ga/Gb, Ex ia ta IIIC T100 °C Da, INMETRO Ex e ia mb IIC T4 Ga/Gb, Ex ia ta IIIC T100 °C Da, CE, RED, RCM <sup>2)</sup> Flameproof: IECEx/ATEX II 1/2 GD 1D, 2D Ex d mb ia IIC T4 Ga/Gb, Ex ia ta IIIC T100 °C Da, INMETRO Ex d ia mb IIC T4 Ga/Gb, Ex ia ta IIIC T100 °C Da, CE, RED, RCM <sup>2)</sup> Explosion proof: CSA/FM Class I, II and III, Div. 1, Groups A, B, C, D, E, F, G, FCC, Industry Canada <sup>2)</sup> Non Sparking: NEPSI Ex nA IIC T4 Gc Intrinsically Safe: NEPSI Ex ia IIC T4 Ga, Ex iaD tD A20 IP67 T100 °C Flameproof: NEPSI Ex d ia mb IIC T4 Ga/Gb, Ex iaD tD A20 IP67 T100 °C <sup>2)</sup> Increased Safety: NEPSI Ex e ia mb IIC T4 Ga/Gb, Ex iaD tD A20 IP67 T100 °C <sup>2)</sup>	A B C D E F G H K L M N
		<b>Pressure rating</b> Rating per Pressure/Temperature curves in instruction manual	0

<sup>1)</sup> Maximum range 10 m (32.8 ft), dk > 3 [20 m (66 ft)] and dk > 1.6 when mounted in stillpipe]

<sup>2)</sup> Applicable with communication option 2 only

## Level Measurement

Continuous level measurement  
Radar transmitters

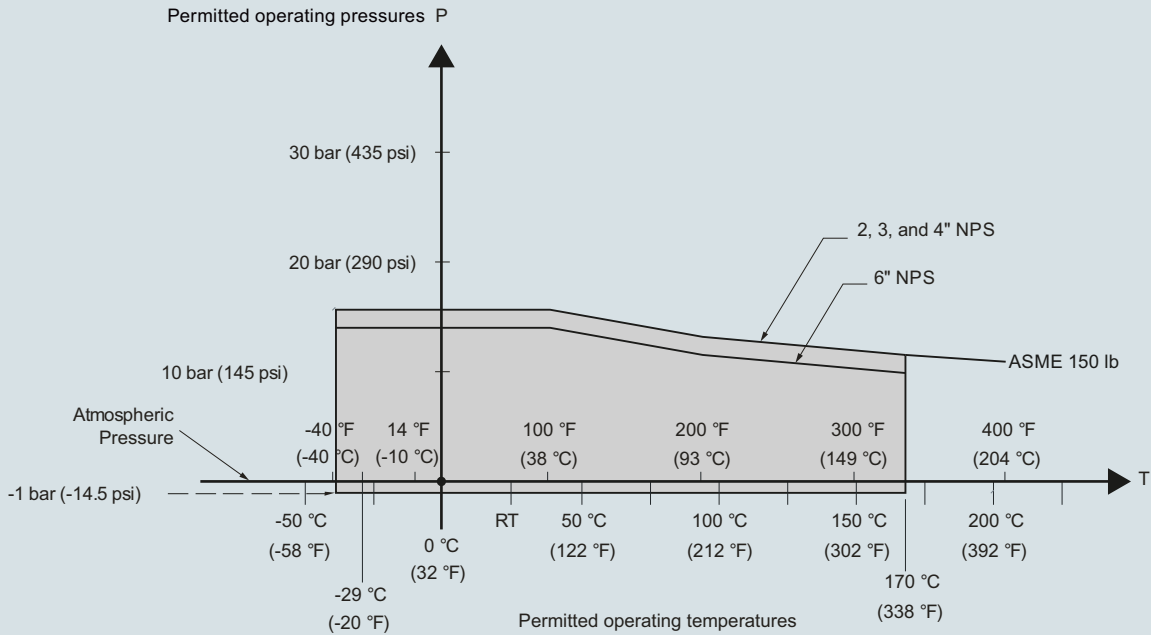
### SITRANS LR250 Flanged Encapsulated Antenna

Selection and Ordering data	Order code	Selection and Ordering data	Article No.
<b>Further designs</b>		<b>Compact Operating Instructions for FOUNDATION Fieldbus device</b>	
Please add <b>*-Z</b> to Article No. and specify Order code(s).		English, French, German, Spanish, Italian, Dutch, Danish, Finnish, Greek, Portuguese (Portugal), Swedish	<b>A5E33472700</b>
Plug M12 with mating Connector <sup>1)2)3)</sup>	<b>A50</b>	English, Bulgarian, Czech, Estonian, Hungarian, Latvian, Lithuanian, Polish, Romanian, Slovakian, Slovenian	<b>A5E33472738</b>
Plug 7/8" with mating Connector <sup>2)3)4)</sup>	<b>A55</b>	English, Portuguese (Brazil), Chinese	<b>A5E34046626</b>
Stainless steel tag [69 x 50 mm (2.71 x 1.97 inch)]; Measuring-point number/identification (max. 27 characters); specify in plain text	<b>Y15</b>	Note: The Operating Instructions should be ordered as a separate line item on the order. All literature is available to download for free, in a range of languages, at <a href="http://www.siemens.com/processinstrumentation/documentation">http://www.siemens.com/processinstrumentation/documentation</a>	
Manufacturer's test certificate: M to DIN 55350, Part 18 and to ISO 9000	<b>C11</b>	<b>Other Operating Instructions</b>	
Material inspection Certificate Type 3.1 per EN 10204	<b>C12</b>	SITRANS LR250 Functional Safety manual, English	<b>A5E32286471</b>
Functional Safety (SIL 2). Device suitable for use in accordance with IEC 61508 and IEC 61511 <sup>5)6)</sup>	<b>C20</b>	Note: The Operating Instructions should be ordered as a separate line item on the order. All literature is available to download for free, in a range of languages, at <a href="http://www.siemens.com/processinstrumentation/documentation">http://www.siemens.com/processinstrumentation/documentation</a>	
Namur NE43 compliant, device preset to failsafe < 3.6 mA <sup>5)</sup>	<b>N07</b>	<b>Accessories</b>	
<b>Compact Operating Instructions for HART/ mA device</b>	Article No	Handheld programmer, Intrinsically safe, EEx ia	<b>7ML1930-1BK</b>
English, French, German, Spanish, Italian, Dutch, Danish, Finnish, Greek, Portuguese (Portugal), Swedish	<b>A5E33469191</b>	HART modem/USB (for use with a PC and SIMATIC PDM)	<b>7MF4997-1DB</b>
English, Bulgarian, Czech, Estonian, Hungarian, Latvian, Lithuanian, Polish, Romanian, Slovakian, Slovenian	<b>A5E33469171</b>	One metallic cable gland M20 x 1.5, rated -40 ... +80 °C (-40 ... +176 °F), HART (2 are required) <sup>6)</sup>	<b>7ML1930-1AP</b>
English, Portuguese (Brazil), Chinese	<b>A5E34046583</b>	One metallic cable gland M20 x 1.5, rated -40 ... +80 °C (-40 ... +176 °F), PROFIBUS PA and FOUNDATION Fieldbus (2 are required) <sup>2)</sup>	<b>7ML1930-1AQ</b>
Note: The Operating Instructions should be ordered as a separate line item on the order. All literature is available to download for free, in a range of languages, at <a href="http://www.siemens.com/processinstrumentation/documentation">http://www.siemens.com/processinstrumentation/documentation</a>		SITRANS RD100, loop powered display - see Chapter 7	<b>7ML5741-...</b>
<b>Compact Operating Instructions for PROFIBUS PA device</b>		SITRANS RD200, universal input display with Modbus conversion - see Chapter 7	<b>7ML5740-...</b>
English, French, German, Spanish, Italian, Dutch, Danish, Finnish, Greek, Portuguese (Portugal), Swedish	<b>A5E33469239</b>	SITRANS RD300, dual line display with totalizer and linearization curve and Modbus conversion - see Chapter 7	<b>7ML5744-...</b>
English, Bulgarian, Czech, Estonian, Hungarian, Latvian, Lithuanian, Polish, Romanian, Slovakian, Slovenian	<b>A5E33472685</b>	SITRANS RD500 web, universal remote monitoring solution for instrumentation - see Chapter 7	<b>7ML5750-...</b>
English, Portuguese (Brazil), Chinese	<b>A5E34046624</b>	For applicable back up point level switch - see point level measurement section	
Note: The Operating Instructions should be ordered as a separate line item on the order. All literature is available to download for free, in a range of languages, at <a href="http://www.siemens.com/processinstrumentation/documentation">http://www.siemens.com/processinstrumentation/documentation</a>			

- 1) Available with enclosure option 1 only
- 2) Available with communication options 1 and 3 only
- 3) Available with approval options A, B, C, and L only
- 4) Available with enclosure option 0 only
- 5) Applicable with communication option 2 only
- 6) Available with approval options A, B, C, D, E, K, and L only

**Characteristic curves**

Pressure/ temperature curve  
 LR250 Flanged Encapsulated Antenna  
 ASME flanged process connections  
 (7ML5432)



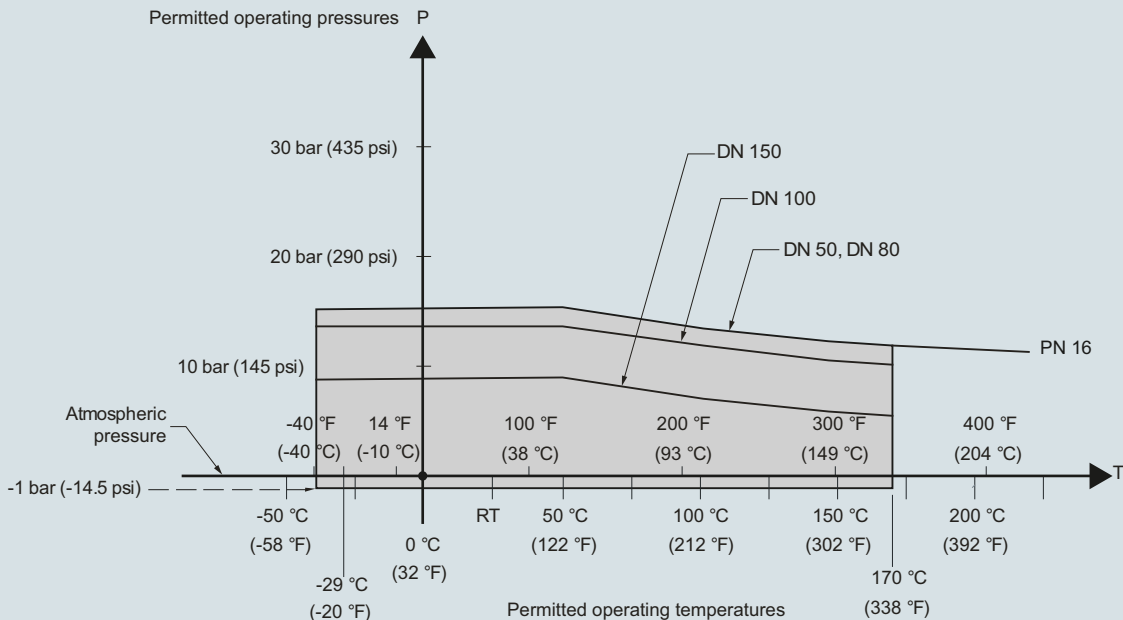
SITRANS LR250 Flanged Encapsulated Antenna pressure/temperature curve

## Level Measurement

Continuous level measurement  
Radar transmitters

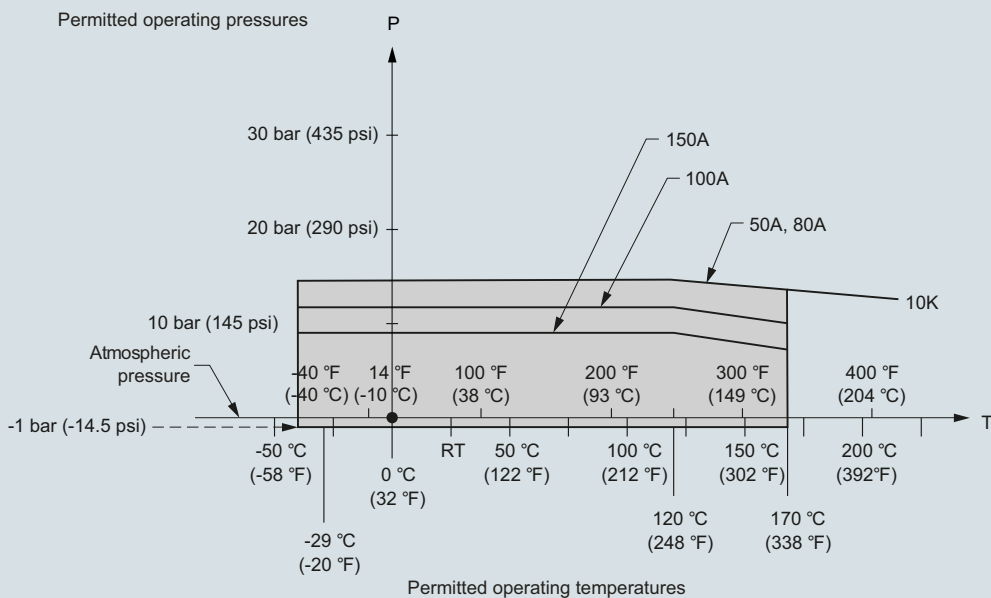
### SITRANS LR250 Flanged Encapsulated Antenna

**Pressure/ temperature curve**  
LR250 Flanged Encapsulated Antenna  
EN 1092-1 flanged process connections  
(7ML5432)



SITRANS LR250 Flanged Encapsulated Antenna pressure/temperature curve

**Pressure/ temperature curve**  
LR250 Flanged Encapsulated Antenna  
JIS B 2220 flanged process connections  
(7ML5432)

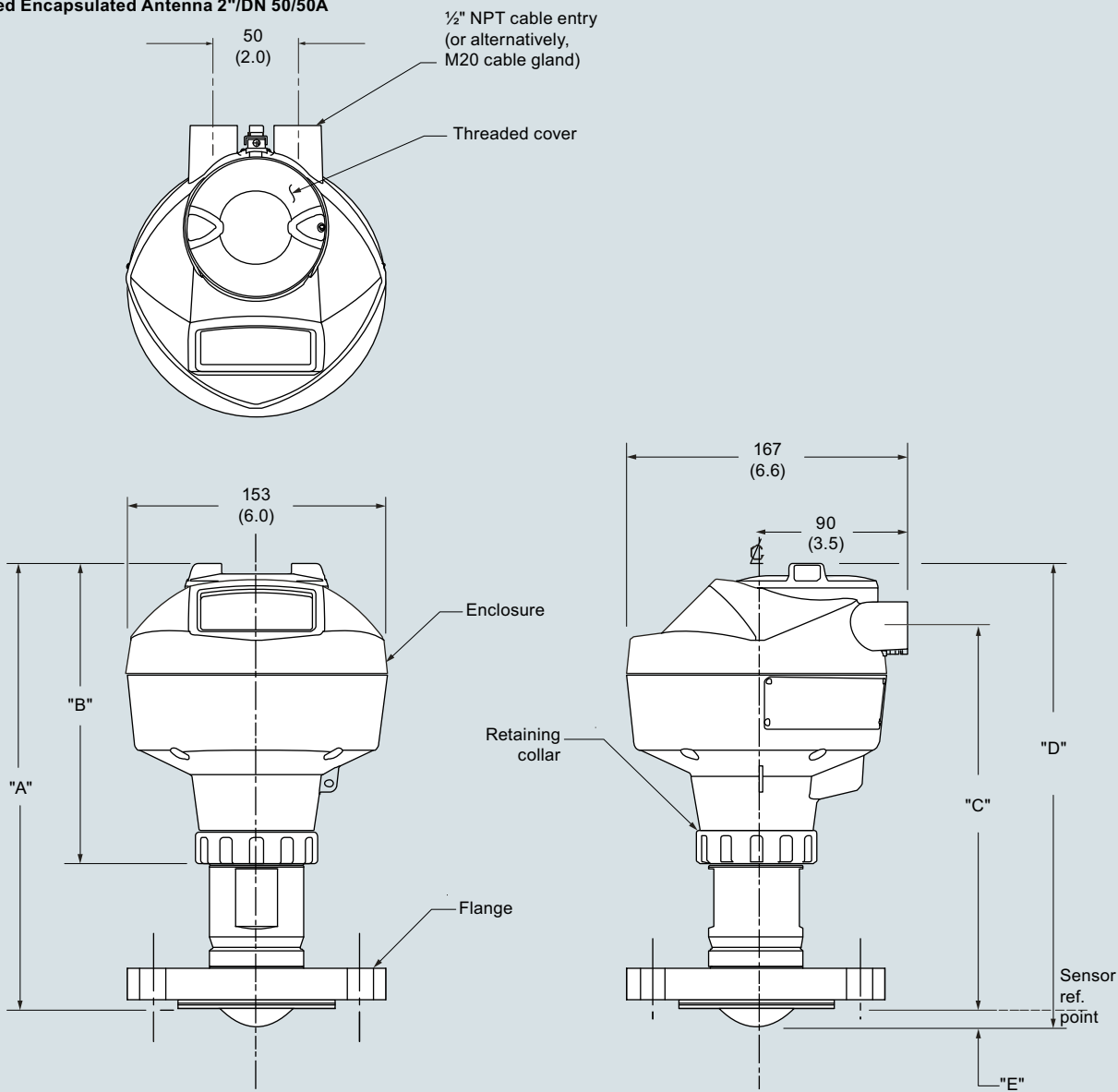


SITRANS LR250 Flanged Encapsulated Antenna pressure/temperature curve

**SITRANS LR250 Flanged Encapsulated Antenna**

**Dimensional drawings**

**Flanged Encapsulated Antenna 2"/DN 50/50A**



Flange Size	Flange Class	Flange O.D.	Antenna aperture size	Height to Sensor reference point dimension E <sup>1)</sup>	Beam angle	Measurement Range	Dimension A	Dimension B	Dimension C	Dimension D
2"	150 lb	152 (5.98)	50 (1.97)	11 (0.43)	12.8°	10 m (32.8 ft)	263 (10.35)	178 (7)	223 (8.78)	274 (10.79)
DN 50	PN 10/16	165 (6.50)								
50A	10K	155 (6.10)								

<sup>1)</sup> Height from tip of lens to sensor reference point as shown.

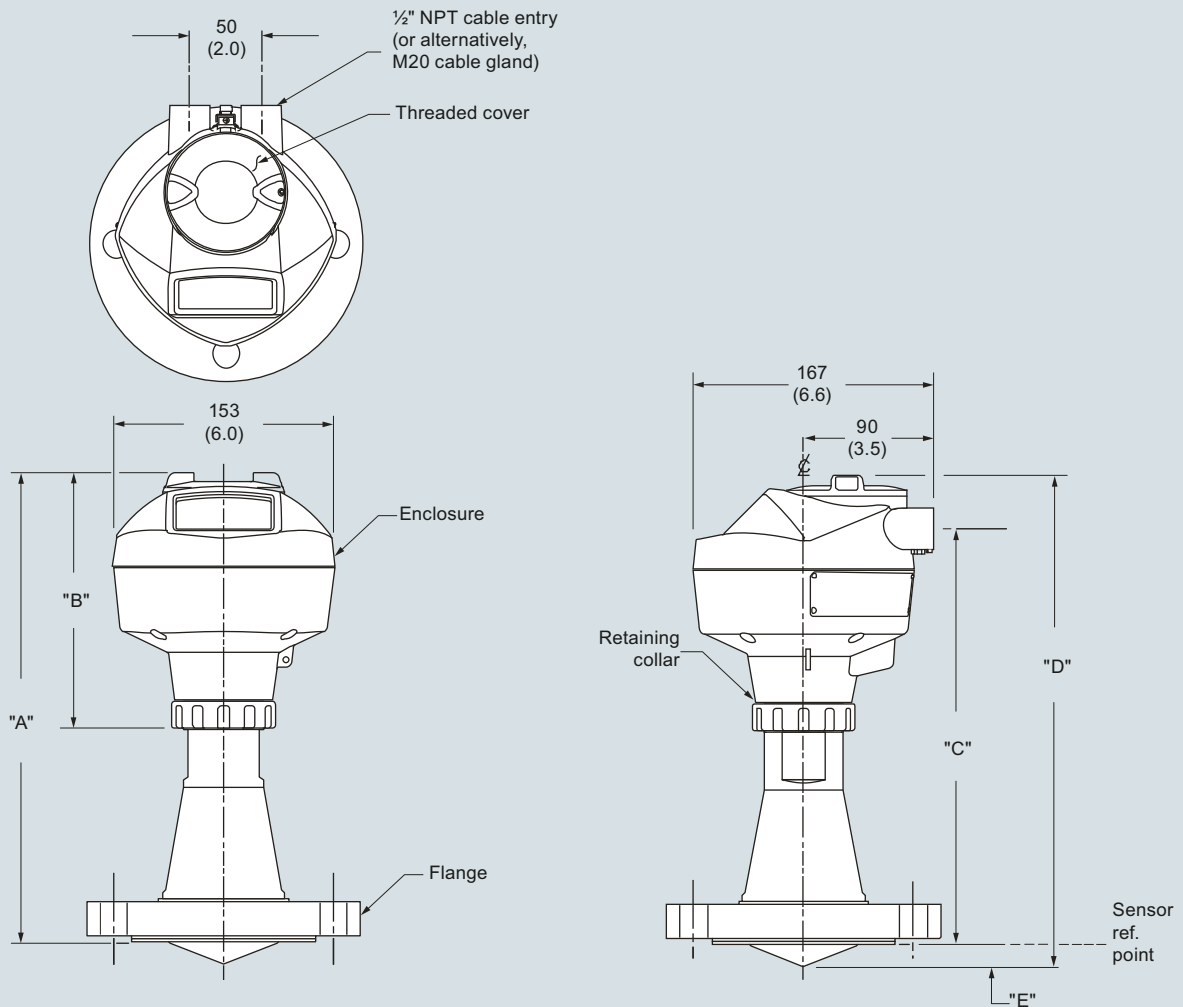
SITRANS LR250 Flanged Encapsulated Antenna, dimensions in mm (inch)

## Level Measurement

Continuous level measurement  
Radar transmitters

### SITRANS LR250 Flanged Encapsulated Antenna

#### Flanged Encapsulated Antenna 3"/DN 50/80A or greater



Flange Size	Flange Class	Flange O.D.	Antenna aperture size	Height to Sensor reference point dimension E <sup>1)</sup>	Beam angle	Measurement Range	Dimension A	Dimension B	Dimension C	Dimension D
3"	150 lb	190 (7.48)	75 (2.95)	15 (0.59)	9.6°	20 m (65.6 ft)	328 (12.91)	178 (7)	288 (11.34)	343 (13.54)
DN 80	PN 10/16	200 (7.87)								
	80A	10K	185 (7.28)							
4"	150 lb	230 (9.06)	75 (2.95)	13 (0.51)	9.6°	20 m (65.6 ft)	328 (12.91)	178 (7)	288 (11.34)	343 (13.50)
DN 100	PN 10/16	220 (8.66)								
	100A	10K	210 (8.27)							
6"	150 lb	280 (11.02)	75 (2.95)	15 (0.59)	9.6°	20 m (65.6 ft)	333 (13.11)	178 (7)	293 (11.54)	348 (13.70)
DN 150	PN 10/16	285 (11.25)								
	150A	10K	280 (11.02)							

<sup>1)</sup> Height from tip of lens to sensor reference point as shown.

SITRANS LR250 Flanged Encapsulated Antenna, dimensions in mm (inch)



## Circuit diagrams

Connect the wires to the terminals as shown: the polarity is identified on the terminal block.

Gland may or may not be provided depending on approval option.

Shield for HART, PROFIBUS PA, and FOUNDATION Fieldbus Intrinsically Safe versions only.

**Hand Programmer**

SIEMENS			
1	2	3	4
5	6	7	8
9	0	.	/+
C	⏪	⏩	⏴
←	↑	↓	→

Part number:  
7ML1930-1BK

**Notes:**

1. DC terminal shall be supplied from a source providing electrical isolation between the input and output, to meet the applicable safety requirements of IEC 61010-1.
2. All field wiring must have insulation suitable for rated input voltages.
3. Use shielded twisted pair cable (14 ... 22 AWG) for HART version.
4. Separate cables and conduit may be required to conform to standard instrumentation wiring practices or electrical codes.

SITRANS LR250 connections

## Level Measurement

Continuous level measurement  
Radar transmitters

### SITRANS LR250 Flanged Encapsulated Specials

#### Selection and ordering data

##### SITRANS LR250 Flanged Encapsulated Specials

Article No.

**NOTE:**

**LR260 head can be supplied with any LR250 process connection or antenna as special order. For LR250, this means a stronger signal and longer measurement range is possible.**

**SITRANS LR250 flanged encapsulated antenna version enclosures (PROFIBUS PA models)**

SITRANS LR250 flanged encapsulated antenna version (7ML5432) enclosure with board stack, M20 cable inlet, approval option A, with PROFIBUS PA communication, no process connection

A5E32462853

SITRANS LR250 flanged encapsulated antenna version (7ML5432) enclosure with board stack, NPT cable inlet, approval option A, with PROFIBUS PA communication, no process connection

A5E32462854

SITRANS LR250 flanged encapsulated antenna version (7ML5432) enclosure with board stack, NPT cable inlet, approval option B, with PROFIBUS PA communication, no process connection

A5E32462855

SITRANS LR250 flanged encapsulated antenna version (7ML5432) enclosure with board stack, M20 cable inlet, approval option C, with PROFIBUS PA communication, no process connection

A5E32462856

SITRANS LR250 flanged encapsulated antenna version (7ML5432) enclosure with board stack, NPT cable inlet, approval option D, with PROFIBUS PA communication, no process connection

A5E32462857

SITRANS LR250 flanged encapsulated antenna version (7ML5432) enclosure with board stack, M20 cable inlet, approval option E, with PROFIBUS PA communication, no process connection

A5E32462858

**SITRANS LR250 flanged encapsulated antenna version enclosures (FOUNDATION Fieldbus models)**

SITRANS LR250 flanged encapsulated antenna version (7ML5432) enclosure with board stack, M20 cable inlet, approval option A, with FOUNDATION Fieldbus communication, no process connection

A5E32462859

SITRANS LR250 flanged encapsulated antenna version (7ML5432) enclosure with board stack, NPT cable inlet, approval option A, with FOUNDATION Fieldbus communication, no process connection

A5E32462860

SITRANS LR250 flanged encapsulated antenna version (7ML5432) enclosure with board stack, NPT cable inlet, approval option B, with FOUNDATION Fieldbus communication, no process connection

A5E32462861

SITRANS LR250 flanged encapsulated antenna version (7ML5432) enclosure with board stack, M20 cable inlet, approval option C, with FOUNDATION Fieldbus communication, no process connection

A5E32462862

SITRANS LR250 flanged encapsulated antenna version (7ML5432) enclosure with board stack, NPT cable inlet, approval option D, with FOUNDATION Fieldbus communication, no process connection

A5E32462863

SITRANS LR250 flanged encapsulated antenna version (7ML5432) enclosure with board stack, M20 cable inlet, approval option E, with FOUNDATION Fieldbus communication, no process connection

A5E32462864

##### SITRANS LR250 Flanged Encapsulated Specials

Article No.

**SITRANS LR250 flanged encapsulated antenna version enclosures (< 3.6 mA start-up HART models)**

SITRANS LR250 flanged encapsulated antenna version (7ML5432) enclosure with board stack, M20 cable inlet, approval option A, with HART communication start-up at < 3.6 mA, no process connection

A5E32462865

SITRANS LR250 flanged encapsulated antenna version (7ML5432) enclosure with board stack, NPT cable inlet, approval option A, with HART communication start-up at < 3.6 mA, no process connection

A5E32462866

SITRANS LR250 flanged encapsulated antenna version (7ML5432) enclosure with board stack, NPT cable inlet, approval option B, with HART communication start-up at < 3.6 mA, no process connection

A5E32462867

SITRANS LR250 flanged encapsulated antenna version (7ML5432) enclosure with board stack, M20 cable inlet, approval option C, with HART communication start-up at < 3.6 mA, no process connection

A5E32462868

SITRANS LR250 flanged encapsulated antenna version (7ML5432) enclosure with board stack, NPT cable inlet, approval option D, with HART communication start-up at < 3.6 mA, no process connection

A5E32462869

SITRANS LR250 flanged encapsulated antenna version (7ML5432) enclosure with board stack, M20 cable inlet, approval option E, with HART communication start-up at < 3.6 mA, no process connection

A5E32462870

SITRANS LR250 flanged encapsulated antenna version (7ML5432) enclosure with board stack, M20 cable inlet, approval option F, with HART communication start-up at < 3.6 mA, no process connection

A5E32462871

SITRANS LR250 flanged encapsulated antenna version (7ML5432) enclosure with board stack, M20 cable inlet, approval option G, with HART communication start-up at < 3.6 mA, no process connection

A5E32462872

SITRANS LR250 flanged encapsulated antenna version (7ML5432) enclosure with board stack, NPT cable inlet, approval option H, with HART communication start-up at < 3.6 mA, no process connection

A5E32462873

**SITRANS LR250 Flanged Encapsulated Specials**

	Article No.
<b>SITRANS LR250 flanged encapsulated antenna lens kits</b>	
Replacement TFM 1600 Lens and Spring Washer Kit for 2" Class 150 ASME B16.5 raised face	<b>A5E32462817</b>
Replacement TFM 1600 Lens and Spring Washer Kit for 3" Class 150 ASME B16.5 raised face	<b>A5E32462819</b>
Replacement TFM 1600 Lens and Spring Washer Kit for 4" Class 150 ASME B16.5 raised face	<b>A5E32462820</b>
Replacement TFM 1600 Lens and Spring Washer Kit for 6" Class 150 ASME B16.5 raised face	<b>A5E32462821</b>
Replacement TFM 1600 Lens and Spring Washer Kit for 50A 10K JIS B 2220 raised face	<b>A5E32462822</b>
Replacement TFM 1600 Lens and Spring Washer Kit for 80A 10K JIS B 2220 raised face	<b>A5E32462823</b>
Replacement TFM 1600 Lens and Spring Washer Kit for 100A 10K JIS B 2220 raised face	<b>A5E32462824</b>
Replacement TFM 1600 Lens and Spring Washer Kit for 150A 10K JIS B 2220 raised face	<b>A5E32462825</b>
Replacement TFM 1600 Lens and Spring Washer Kit for DN 50 PN 10/16 EN 1092-1 type B1 raised face	<b>A5E32462826</b>
Replacement TFM 1600 Lens and Spring Washer Kit for DN 80 PN 10/16 EN 1092-1 type B1 raised face	<b>A5E32462827</b>
Replacement TFM 1600 Lens and Spring Washer Kit for DN 100 PN 10/16 EN 1092-1 type B1 raised face	<b>A5E32462828</b>
Replacement TFM 1600 Lens and Spring Washer Kit for DN 150 PN 10/16 EN 1092-1 type B1 raised face	<b>A5E32462829</b>
<b>Ex-proof plugs</b>	
Ex-proof plugs kit, 1/2" NPT, qty 5	<b>A5E39979991</b>
Ex-proof plugs kit, M20, qty 5	<b>A5E39979992</b>