

## SITRANS F M

### Electromagnetic flowmeter

### type MAG 1100 F, DN 10 - DN 100 3/8" - 4"

083R9057

#### Introduction

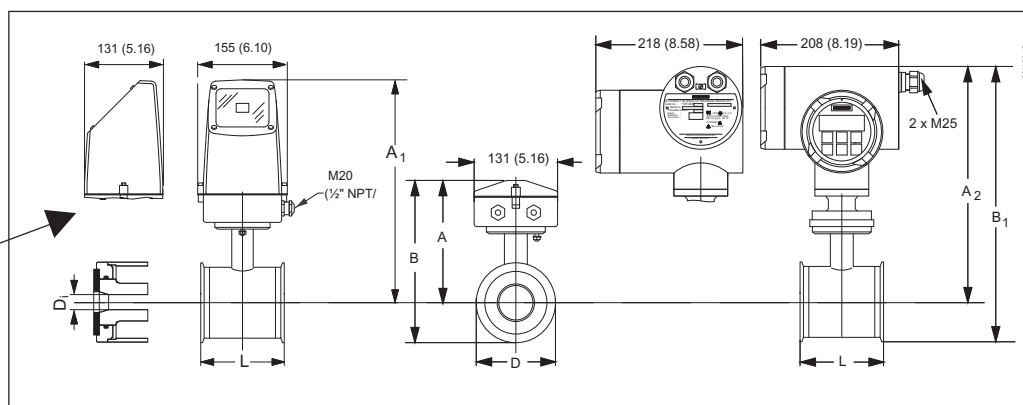
Siemens Flow Instruments SITRANS F M electromagnetic flowmeters consist of a sensor and a transmitter. These instructions only describe the sensor installation. For further information on the transmitter installation, please refer to the SITRANS F M handbook.

Technical Documentation (handbooks, instructions, manuals etc.) on the complete product range SITRANS F can be found on the internet/intranet on the following links:

English: <http://www4.ad.siemens.de/WW/view/en/10806951/133300>

#### Sensor MAG 1100 F

#### MAG 1100 F/6000, MAG 1100 F/5000 and MAG 1100 F/6000I, compact/separate



**Important note!**  
for compact installations with the MAG 6000I, transmitter to be supported to avoid tension on sensor part.

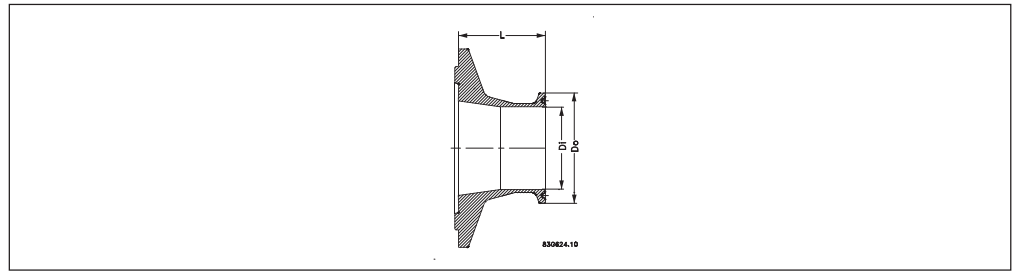
Size	L	A	A <sub>1</sub> /A <sub>2</sub> <sup>3)</sup>	B <sup>2)</sup>	B <sub>1</sub>	D	D <sub>i</sub> (Al <sub>2</sub> O <sub>3</sub> )	D <sub>i</sub> (PFA)	Weight <sup>2)</sup>
DN	[mm]	[mm]	[mm]	[mm]	[mm]	[mm]	[mm]	[mm]	[kg]
10	64	161	315	193.7	344.7	64.0	10	10	2.2
15	64	161	315	193.7	344.7	64.0	15	16	2.2
25	79	169	323	207.5	359.0	77.5	25	26	2.7
40	94	179	333	228.0	379.0	91.0	40	38	3.4
50	104	188	342	247.7	398.7	119.0	50	50	4.2
65	131	197.5	351	262.6	413.6	130.0	65	66	5.5
80	156	204	357	281.0	432.0	155.0	80	81	7.0
100	186	217	370	308.0	459.0	183.0	100	100	10.0

Size	L	A <sup>1)</sup>	A <sub>1</sub> /A <sub>2</sub> <sup>3)</sup>	B <sup>2)</sup>	B <sub>1</sub>	D	D <sub>i</sub> (Al <sub>2</sub> O <sub>3</sub> )	D <sub>i</sub> (PFA)	Weight <sup>1)</sup>
[inch]	[inch]	[inch]	[inch]	[inch]	[inch]	[inch]	[inch]	[inch]	[lb]
<sup>3</sup> / <sub>8</sub>	2.52	6.34	12.40	7.62	13.57	2.52	0.39	0.39	4.8
<sup>1</sup> / <sub>2</sub>	2.52	6.34	12.40	7.62	13.57	2.52	0.59	0.63	4.8
1	3.11	6.66	12.72	8.17	14.13	3.05	0.98	1.02	4.9
1½	3.70	7.05	13.11	8.98	14.92	3.58	1.57	1.50	7.5
2	4.09	7.40	13.47	9.75	15.70	4.68	1.97	1.97	9.2
2½	5.16	7.78	13.82	10.34	16.28	5.12	2.56	2.60	12.0
3	6.14	8.03	14.06	11.06	17.01	6.10	3.15	3.19	15.0
4	7.32	8.54	14.57	12.13	18.07	7.20	3.94	3.94	22.0

- 1) With transmitter MAG 5000 or MAG 6000 compact, weight is increased by approximately 0.8 kg (1.8 lb)  
With MAG 6000 I weight is increased with 5.5 kg ( 12.1 lbs)
- 2) 14.5 mm (0.571") shorter when the AISI terminal box is used (always ATEX version)
- 3) A2 is 3 mm (0.12") shorter than A1

083R9057

**Accessories  
MAG 1100 F**



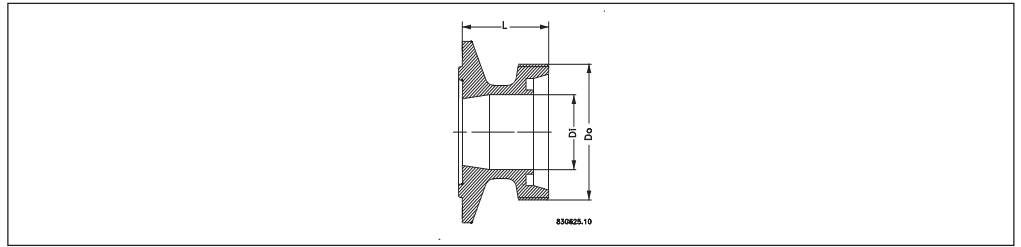
Adapter DN [mm]	Sensor DN [mm]	L [mm]	Weld-in type					
			DIN 11850		ISO 2037 (SMS 3008)		Tri-Clover® (B54825-1)	
			D <sub>i</sub> [mm]	D <sub>o</sub> [mm]	D <sub>i</sub> [mm]	D <sub>o</sub> [mm]	D <sub>i</sub> [mm]	D <sub>o</sub> [mm]
10	10	40	10.0	13.0	10.0	13.0	9.4	12.7
15	15	40	16.0	19.0	16.0	19.0	-	-
15.9	15	40	-	-	-	-	15.75	19.05
20	15	40	-	-	20.0	23.0	-	-
25	25	40	-	-	22.6	25.6	22.1	25.4
25	25	40	26.0	29.0	-	-	-	-
28	25	40	-	-	25.6	28.6	-	-
32	25	40	-	-	-	-	-	-
32	25	40	32.0	35.0	-	-	-	-
38	40	40	-	-	35.6	38.6	34.8	38.1
40	40	40	-	-	37.6	40.6	-	-
40	40	40	38.0	41.0	-	-	-	-
50	50	40	-	-	48.6	51.6	47.5	50.8
50	50	40	50.0	53.0	-	-	-	-
63.5	65	45	-	-	60.3	64.1	60.2 <sup>1)</sup>	63.5 <sup>1)</sup>
65	65	45	66.0	70.0	-	-	-	-
76	65	45	-	-	-	-	-	-
76.1	80	50	-	-	72.9	76.7	72.9	76.2
80	80	50	81.0	85.0	-	-	-	-
100	100	50	100	104	-	-	-	-
101.6	100	50	-	-	97.6	102.5	97.38 <sup>1)</sup>	101.6 <sup>1)</sup>
114.3	100	50	-	-	110.3	115.6	-	-

<sup>1)</sup> For BS4825-1 see ISO 2037

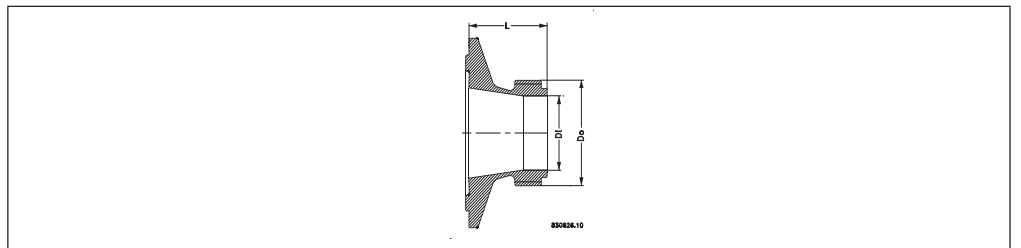
Adapter DN [mm]	Sensor DN [mm]	L [mm]	Weld-in type					
			DIN 11850		ISO 2037 (SMS 3008, B54825-3)		Tri-Clover®	
			D <sub>i</sub> [mm]	D <sub>o</sub> [mm]	D <sub>i</sub> [mm]	D <sub>o</sub> [mm]	D <sub>i</sub> [mm]	D <sub>o</sub> [mm]
10	10	40	10.0	34.0	10.0	34.0	10.0	34.0
15	15	40	16.0	34.0	16.0	34.0	10.0	34.0
25	25	40	-	-	-	-	22.6	50.5
25	25	40	26.0	50.5	26.0	-	-	-
33.7	25	40	-	-	31.3	50.5	-	-
38	40	40	-	-	35.6	38.6	35.6	50.5
40	40	40	38.0	50.0	-	-	-	-
50	50	40	50.0	64.0	-	-	-	-
51	50	40	-	-	48.6	64.0	48.6	64.0
63.5	65	45	-	-	60.3	77.5	60.3	77.5
65	65	45	66.0	91.0	-	-	-	-
76.1	80	50	-	-	72.9	91.0	72.9	91.0
80	80	50	81.0	85.0	-	-	-	-
100	100	50	100	119.9	-	-	-	-
101.6	100	50	-	-	97.6	119.0	97.6	119.0

Tri-Clover® is a registered trademark for Ladish Co.

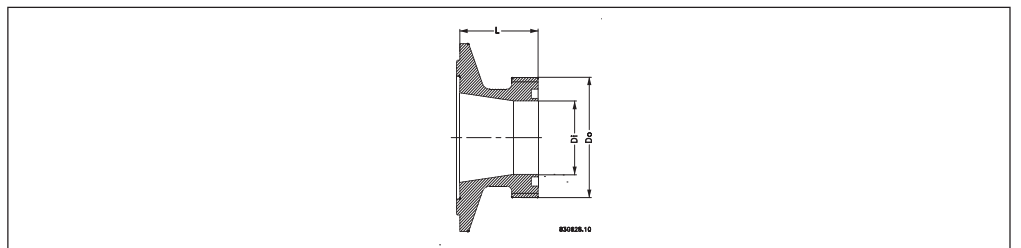
**Accessories**  
**MAG 1100 F**  
 (continued)



Adapter DN [mm]	Sensor DN [mm]	L [mm]	Threaded type DIN 11851	
			Di [mm]	Do [mm]
10	10	40	10.0	28.0
15	15	40	16.0	34.0
20	15	40	20.0	44.0
25	25	40	26.0	52.0
32	25	40	32.0	58.0
40	40	40	38.0	65.0
50	50	40	50.0	78.0
65	65	45	66.0	95.0
80	80	50	81.0	110.0
100	100	50	100.0	130.0

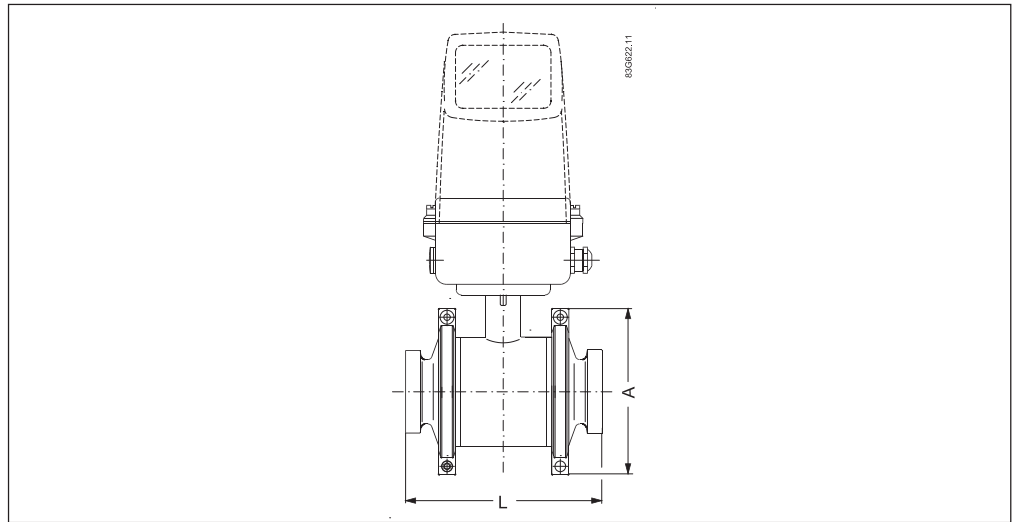


Adapter DN [mm]	Sensor DN [mm]	L [mm]	Threaded type			
			ISO 2853		BS 4825-4	
			Di [mm]	Do [mm]	Di [mm]	Do [mm]
25	25	40	22.6	37.0	22.6	37.0
38	40	40	35.6	51.0	35.6	51.0
51	50	40	48.6	64.0	48.6	64.0
63.5	65	45	60.3	78.0	60.3	78.0
76.1	80	50	72.9	91.0	72.9	91.0
101.6	100	50	-	-	97.6	126.0
101.6	100	50	97.6	118.0	-	-



Adapter DN [mm]	Sensor DN [mm]	L [mm]	Threaded type SMS 1145	
			Di [mm]	Do [mm]
25	25	40	22.6	40.0
38	40	40	35.6	60.0
51	50	40	48.6	70.0
63.5	65	45	60.3	85.0
76	65	45	72.0	98.0

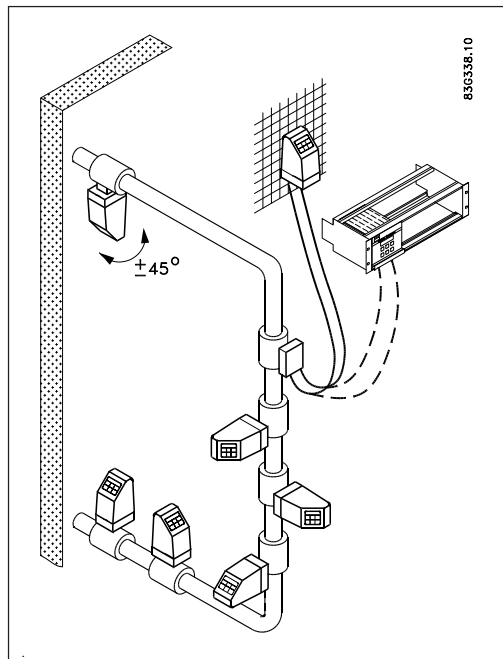
**Built-in length**



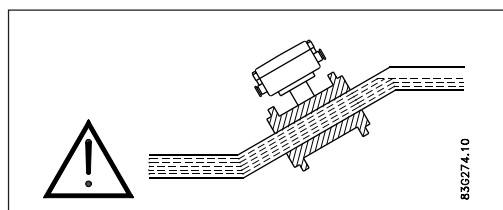
Size		A		L 1)	
DN	Inch	[mm]	[inch]	[mm]	[inch]
10	3/8	99	3.90	146	5.75
15	1/2	99	3.90	146	5.75
25	1	113	4.45	161	6.34
40	1 1/2	126	4.96	176	6.93
50	2	154	6.06	186	7.32
65	2 1/2	165	6.50	223	8.78
80	3	200	7.87	258	10.16
100	4	225	8.86	288	11.34

1) The total built-in length "L" is independent of the adapter type selected.

**Installation, general**

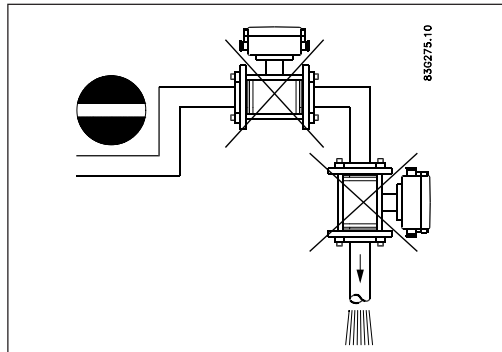


Reading and operating the flowmeter is possible under almost any installation conditions because the display can be oriented in relation to the sensor. To ensure optimum flow measurement attention should be paid to the following:



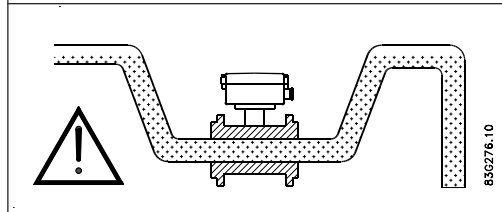
The sensor must always be completely full with liquid.

**Installation, general**  
(continued)

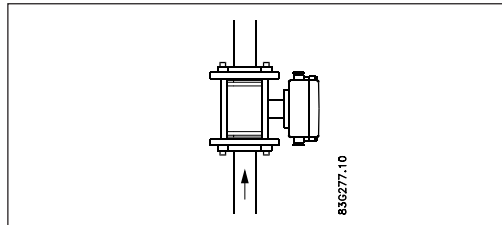


Therefore avoid:

- Installation at the highest point in the pipe system
- Installation in vertical pipes with free outlet

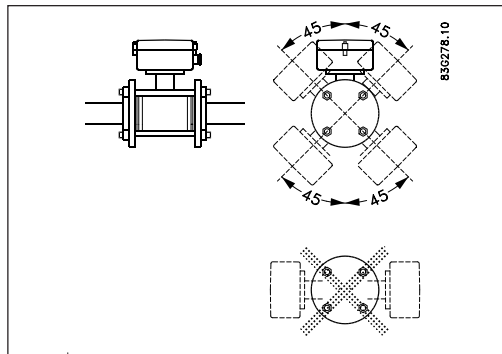


For partially filled pipes or pipes with downward flow and free outlet the flowmeter should be located in a U-tube.



**Installation in vertical pipes**

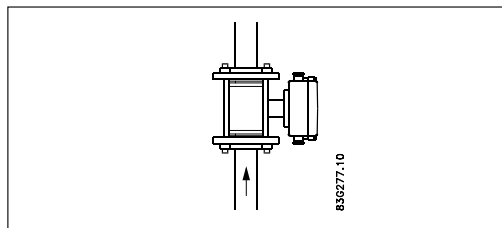
Recommended flow direction: upwards. This minimizes the effect on the measurement of any gas/air bubbles in the liquid.



**Installation in horizontal pipes**

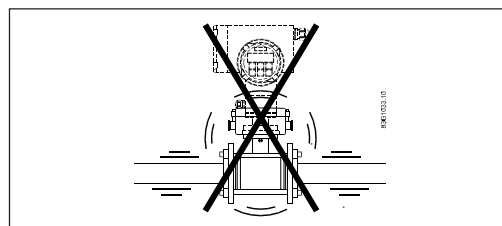
The sensor must be mounted as shown in the upper figure. Do not mount the sensor as shown in the lower figure. This will position the electrodes at the top where there is possibility for air bubbles and at the bottom where there is possibility for mud, sludge, sand etc.

If using empty pipe detection, the sensor can be tilted 45°, as shown in the upper figure.



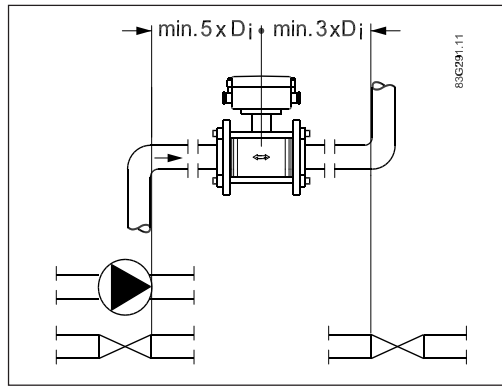
**Measuring abrasive liquids and liquids containing particles**

Recommended installation is in a vertical/ inclined pipe to minimize the wear and deposits in the sensor.



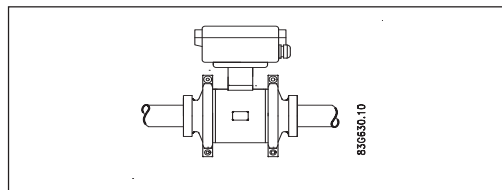
**Avoid vibrations!**

**Inlet and outlet conditions**



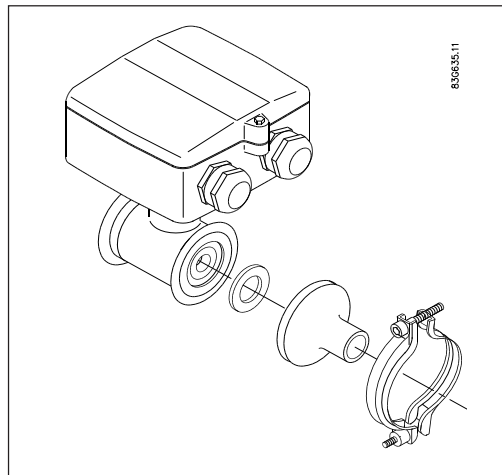
To achieve accurate flow measurement it is essential to have straight lengths of inlet and outlet pipes and a certain distance between pumps and valves. It is also important to centre the flowmeter in relation to pipe flanges and gaskets.

**Potential equalization**



The sensor must be installed between two adapters. Potential equalization with the liquid occurs automatically via these adapters and through the adjacent pipe.

**Installation**



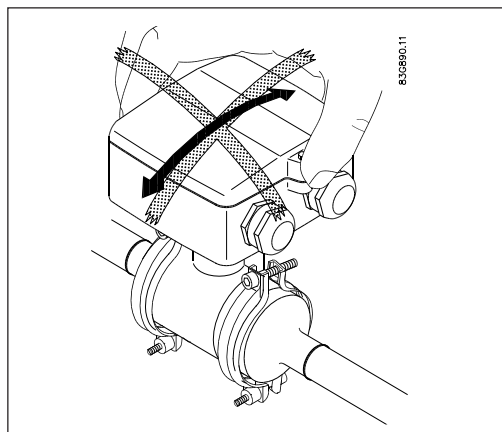
fastened to the MAG 1100 F sensor with a clamp ring. The clamp ring should be tightened sufficiently to ensure sealing of the gasket but care should be taken to avoid over compression of the gasket causing extrusion into the bore of more than 0.8 mm. New type composite gasket, which will reduce the risk of extrusion, are now being supplied to known users, and it is recommended that old gaskets are replaced with the new type as soon as possible. Any new orders for replacement gaskets will be of the new type.

Siemens recommend that all gaskets are replaced after the equivalent of three months continuous use.

The MAG 1100 F sensor has an integrated clamp connection and is designed for installation between two adapters, which are supplied separately. The adapters are available for a variety of standards according to: ISO, DIN, SMS, BS and DS, for direct welding into dairy pipes or with clamp- or threaded fittings. At assembly, a gasket is located in the recess in the face of the adaptor, and the adaptor is then

In order to meet the 3-A Sanitary Standard the sensor must be installed as a remote unit.

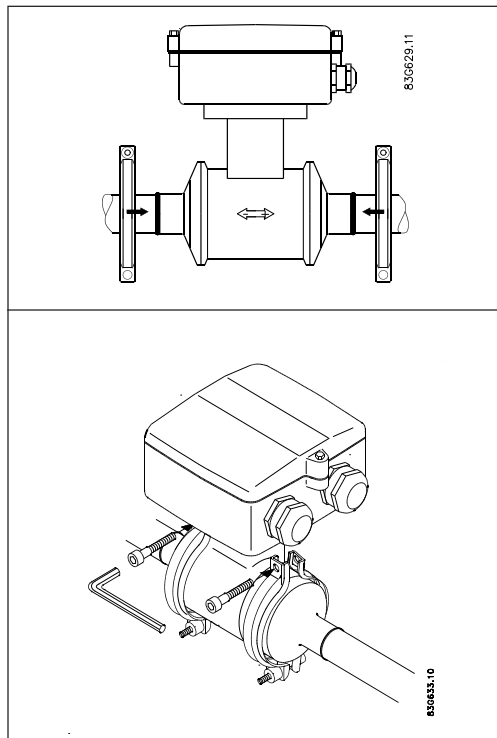
To obtain optimum accuracy and hygienic conditions it is important that the sensor and the pipes are correctly aligned around their centerline, fittings must be perpendicular to the pipeline and upstream pipelines must be straight without curves.



**Warning**

Turning the sensor around the adapter centre line after the clamp rings have been fastened will damage the liner. The sensor may therefore only be turned when the clamp rings have either been removed or completely loosened.

**Installation, welding type adapter**



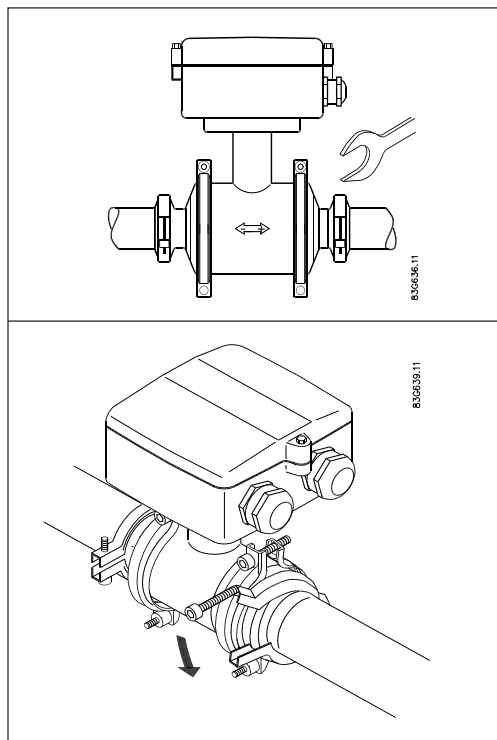
The two adapters are welded directly into the dairy pipes.

It is important to ensure a perpendicular welding to the pipeline in order to omit misalignment between sensor and adapter facing.

Installation to be as follows:

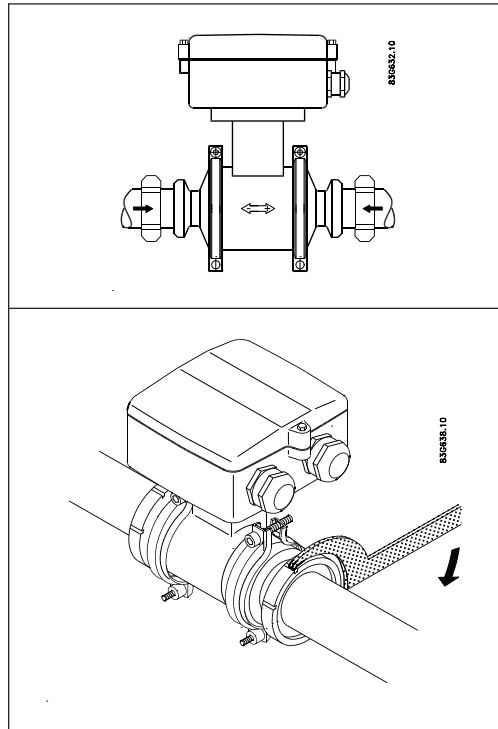
1. Cut a piece of the pipeline equal to the built-in length "L" stated for the actual sensor dimension.
2. Assemble the sensor and the adapters with the clamp rings - **leave the gaskets off.**
3. Mount the sensor and tag-weld the adapters to the pipe.
4. Remove clamp rings and dismount the sensor.
5. The adapters are firmly welded to the pipe.
6. Re-install the sensor with gaskets and clamp rings.

**Installation, clamp type adapter**



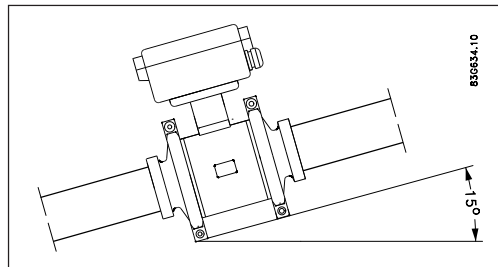
Sensor, gaskets and adapters are assembled to one unit and then installed in the pipeline prepared with a suitable fitting. Standard gaskets for the actual clamp connection must be used. The clamp rings must be located, closed and tightened.

**Installation, thread type adapter**



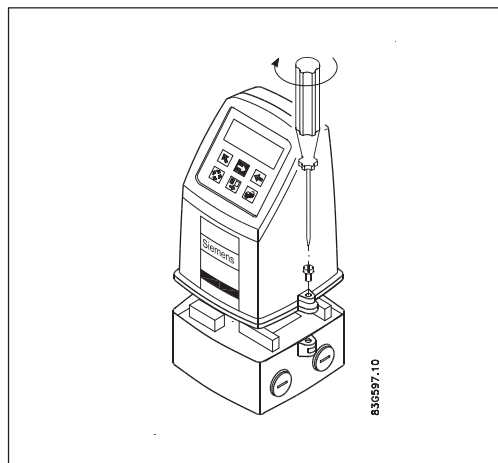
Sensor, gaskets and adapters are assembled to one unit and then installed in the pipeline prepared with a suitable fitting. Standard gaskets for the actual thread connection must be used. Tightening must be performed with a suitable union spanner.

**Self-draining**



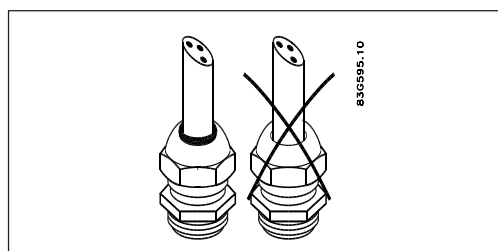
For applications where self-draining is required, the sensor must be mounted with a minimum incline of 15° to the horizontal plane.

**Installation of the cover or transmitter on the terminal box**



1. Mount the cover or the transmitter on the terminal box.
2. It is important that the screws are firmly tightened (4 Nm). Use a large screwdriver fitting into the screw slot.

**Installation, cable**



Tighten the cable glands and the cable entries to obtain optimum sealing. The cable entry gasket must obtain firm contact with the cable.



**Manufacturer's design  
and safety statement**

1. Responsibility for the choice of lining and electrode materials with regard to their abrasion and corrosion resistance lies with the purchaser; the effect of any change in process medium during the operating life of the flowmeter should be taken into account. Incorrect selection of lining and/or electrode materials could lead to a failure of the flowmeter.
  2. It is the responsibility of the user to ensure that stresses and loading caused by earthquakes, traffic, high winds and fire damage are taken into account during installation, when appropriate. These forces are not taken into account during flowmeter design.
  3. It is the responsibility of the user to ensure that the flowmeter is installed such that it does not act as a focus for pipeline stresses. External loadings are not taken into account during flowmeter design.
  4. During operation do not exceed the pressure and/or temperature ratings indicated on the data label or in the installation instructions.
  5. It is the responsibility of the user to ensure that all installations include over pressure protection, means for draining/venting, and that adequate protection is provided to minimise any risk of contact with hot surfaces.
  6. Under the Pressure Equipment Directive this product is a pressure accessory, and not approved for use as a safety accessory, as defined by the Pressure Equipment Directive.
  7. Removal of the terminal box except by Siemens Flow Instruments or their approved agents will invalidate the PED conformity of the product.
- In accordance with the Pressure Equipment Directive (97/23/EC)

## SITRANS F M Magnetisch-induktive Durchflußmesser Typ MAG 1100 F, DN 10 - DN 100 3/8" - 4"

083R9057

083R9057

### Einführung

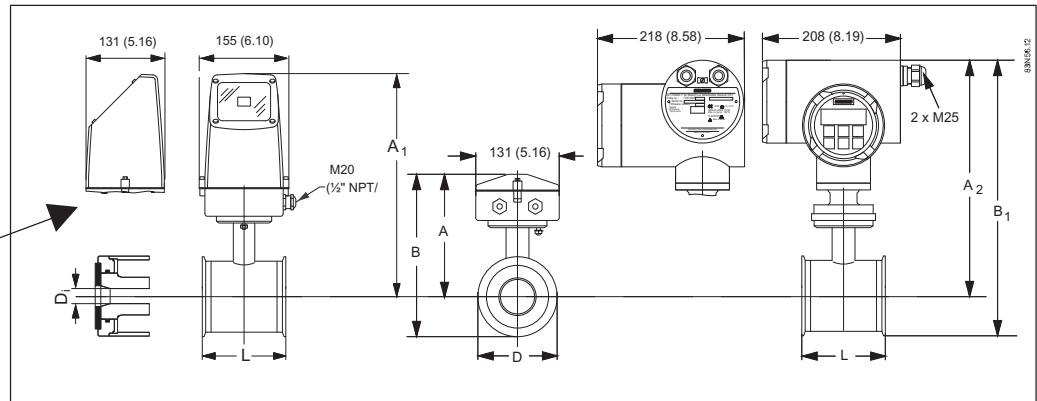
Siemens Flow Instruments SITRANS F M magnetisch-induktive Durchflußmesser bestehen aus einem Meßaufnehmer und einem Meßumformer. Diese Instruktion beschreibt nur die Montage des Meßaufnehmers. Für weitere Informationen über die Montage des Meßumformers, siehe bitte das SITRANS F M Produkthandbuch.

Technische Dokumentationen (Handbücher, Instruktionen, Betriebsanleitungen usw.) für alle zur SITRANS F-Reihe gehörenden Produkte sind im Internet/Intranet unter folgendem Link zu finden:

Deutsch: <http://www4.ad.siemens.de/WW/view/de/10806951/133300>

### Meßaufnehmer MAG 1100 F

### MAG 1100 F/6000, MAG 1100 F/5000 und MAG 1100 F/6000I, kompakte/getrennte Montage



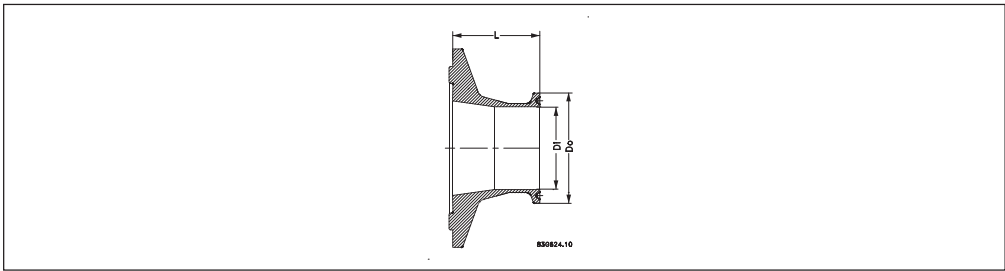
**Wichtiger Hinweis:**  
Bei Kompakteinbau mit dem MAG 6000 I ist der Messumformer abzustützen, um Zugspannung auf den Messaufnehmer zu vermeiden.

Nennweite	L	A	A <sub>1</sub> /A <sub>2</sub> <sup>3)</sup>	B <sup>2)</sup>	B <sub>1</sub>	D	D <sub>i</sub> (Al <sub>2</sub> O <sub>3</sub> )	D <sub>i</sub> (PFA)	Gewicht <sup>2)</sup>
DN	[mm]	[mm]	[mm]	[mm]	[mm]	[mm]	[mm]	[mm]	[kg]
10	64	161	315	193,7	344,7	64,0	10	10	2,2
15	64	161	315	193,7	344,7	64,0	15	16	2,2
25	79	169	323	207,5	359,0	77,5	25	26	2,7
40	94	179	333	228,0	379,0	91,0	40	38	3,4
50	104	188	342	247,7	398,7	119,0	50	50	4,2
65	131	197,5	351	262,6	413,6	130,0	65	66	5,5
80	156	204	357	281,0	432,0	155,0	80	81	7,0
100	186	217	370	308,0	459,0	183,0	100	100	10,0

Nennweite	L	A <sup>1)</sup>	A <sub>1</sub> /A <sub>2</sub> <sup>3)</sup>	B <sup>2)</sup>	B <sub>1</sub>	D	D <sub>i</sub> (Al <sub>2</sub> O <sub>3</sub> )	D <sub>i</sub> (PFA)	Gewicht <sup>1)</sup>
[inch]	[inch]	[inch]	[inch]	[inch]	[inch]	[inch]	[inch]	[inch]	[lb]
3/8	2,52	6,34	12,40	7,62	13,57	2,52	0,39	0,39	4,8
1/2	2,52	6,34	12,40	7,62	13,57	2,52	0,59	0,63	4,8
1	3,11	6,66	12,72	8,17	14,13	3,05	0,98	1,02	4,9
1 1/2	3,70	7,05	13,11	8,98	14,92	3,58	1,57	1,50	7,5
2	4,09	7,40	13,47	9,75	15,70	4,68	1,97	1,97	9,2
2 1/2	5,16	7,78	13,82	10,34	16,28	5,12	2,56	2,60	12,0
3	6,14	8,03	14,06	11,06	17,01	6,10	3,15	3,19	15,0
4	7,32	8,54	14,57	12,13	18,07	7,20	3,94	3,94	22,0

1) Bei eingebautem Messumformer MAG 5000 oder MAG 6000 erhöht sich das Gewicht um ca. 0,8 kg (1.8 lb).  
BeiMAG 6000 I erhöht sich das Gewicht um 5.5 kg ( 12.1 lbs).  
2) 14.5 mm (0.571") kürzer mit AISI-Klemmkasten (Ex- oder Hochtemperatursausführung 200°C (390°F)).  
3) A<sub>2</sub> ist 3 mm(0.12") kürzer als A<sub>1</sub>.

Zubehör  
MAG 1100 F



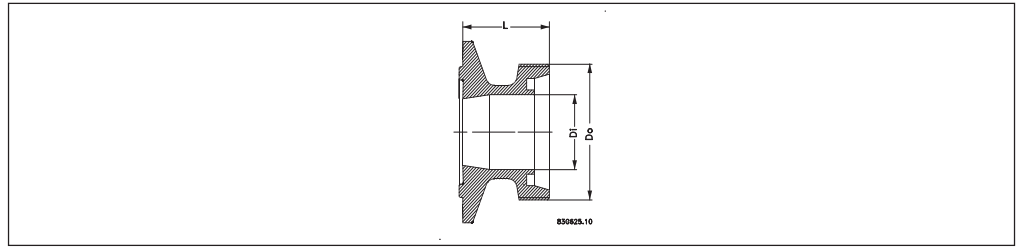
Prozess- anschl. DN [mm]	Messauf- nehmer DN [mm]	L [mm]	Einschweißstutzen für Rohrleitungen nach folgender Norm					
			DIN 11850		ISO 2037 (SMS 3008)		Tri-Clover® (B54825-1)	
			D <sub>i</sub> [mm]	D <sub>o</sub> [mm]	D <sub>i</sub> [mm]	D <sub>o</sub> [mm]	D <sub>i</sub> [mm]	D <sub>o</sub> [mm]
10	10	40	10,0	13,0	10,0	13,0	9,4	12,7
15	15	40	16,0	19,0	16,0	19,0	-	-
15,9	15	40	-	-	-	-	15,75	19,05
20	15	40	-	-	20,0	23,0	-	-
25	25	40	-	-	22,6	25,6	22,1	25,4
25	25	40	26,0	29,0	-	-	-	-
28	25	40	-	-	25,6	28,6	-	-
32	25	40	-	-	-	-	-	-
32	25	40	32,0	35,0	-	-	-	-
38	40	40	-	-	35,6	38,6	34,8	38,1
40	40	40	-	-	37,6	40,6	-	-
40	40	40	38,0	41,0	-	-	-	-
50	50	40	-	-	48,6	51,6	47,5	50,8
50	50	40	50,0	53,0	-	-	-	-
63,5	65	45	-	-	60,3	64,1	60,2 <sup>1)</sup>	63,5 <sup>1)</sup>
65	65	45	66,0	70,0	-	-	-	-
76	65	45	-	-	-	-	-	-
76,1	80	50	-	-	72,9	76,7	72,9	76,2
80	80	50	81,0	85,0	-	-	-	-
100	100	50	100	104	-	-	-	-
101,6	100	50	-	-	97,6	102,5	97,38 <sup>1)</sup>	101,6 <sup>1)</sup>
114,3	100	50	-	-	110,3	115,6	-	-

1) For BS4825-1 see ISO 2037

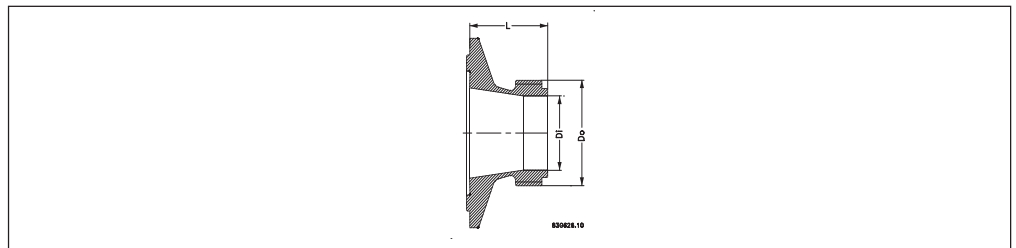
Prozess- anschl. DN [mm]	Messauf- nehmer DN [mm]	L [mm]	Klemmring/Ausführung für folgende Normen					
			DIN 11850		ISO 2037 (SMS 3008, B54825-3)		Tri-Clover®	
			D <sub>i</sub> [mm]	D <sub>o</sub> [mm]	D <sub>i</sub> [mm]	D <sub>o</sub> [mm]	D <sub>i</sub> [mm]	D <sub>o</sub> [mm]
10	10	40	10,0	34,0	10,0	34,0	10,0	34,0
15	15	40	16,0	34,0	16,0	34,0	10,0	34,0
25	25	40	-	-	-	-	22,6	50,5
25	25	40	26,0	50,5	26,0	-	-	-
33,7	25	40	-	-	31,3	50,5	-	-
38	40	40	-	-	35,6	38,6	35,6	50,5
40	40	40	38,0	50,0	-	-	-	-
50	50	40	50,0	64,0	-	-	-	-
51	50	40	-	-	48,6	64,0	48,6	64,0
63,5	65	45	-	-	60,3	77,5	60,3	77,5
65	65	45	66,0	91,0	-	-	-	-
76,1	80	50	-	-	72,9	91,0	72,9	91,0
80	80	50	81,0	85,0	-	-	-	-
100	100	50	100	119,9	-	-	-	-
101,6	100	50	-	-	97,6	119,0	97,6	119,0

Tri-Clover® ist ein eingetragenes Warenzeichen von Ladish Co.

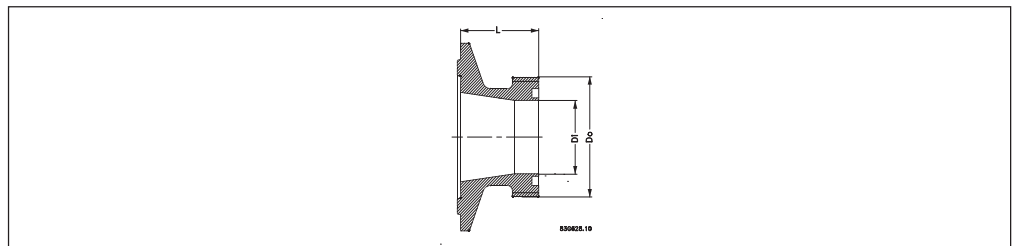
Zubehör für  
MAG 1100 F  
(Fortsetzung)



Prozess- anschl. DN [mm]	Messauf- nehmer DN [mm]	L [mm]	Rohrverschraubung nach folgender Norm	
			DIN 11851	
			D <sub>i</sub> [mm]	D <sub>o</sub> [mm]
10	10	40	10,0	28,0
15	15	40	16,0	34,0
20	15	40	20,0	44,0
25	25	40	26,0	52,0
32	25	40	32,0	58,0
40	40	40	38,0	65,0
50	50	40	50,0	78,0
65	65	45	66,0	95,0
80	80	50	81,0	110,0
100	100	50	100,0	130,0

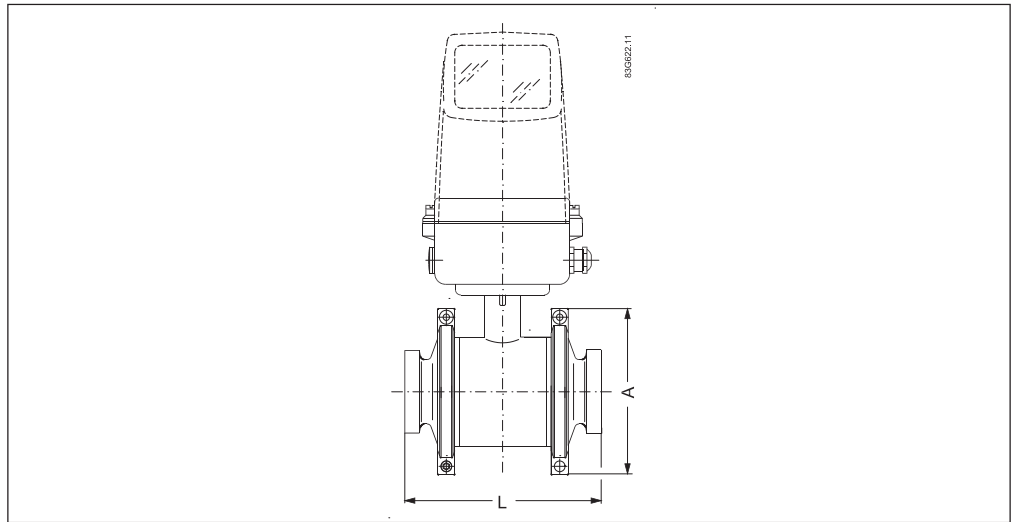


Prozess- anschl. DN [mm]	Messauf- nehmer DN [mm]	L [mm]	Rohrverschraubung nach folgenden Standards			
			ISO 2853		BS 4825-4	
			D <sub>i</sub> [mm]	D <sub>o</sub> [mm]	D <sub>i</sub> [mm]	D <sub>o</sub> [mm]
25	25	40	22,6	37,0	22,6	37,0
38	40	40	35,6	51,0	35,6	51,0
51	50	40	48,6	64,0	48,6	64,0
63,5	65	45	60,3	78,0	60,3	78,0
76,1	80	50	72,9	91,0	72,9	91,0
101,6	100	50	-	-	97,6	126,0
101,6	100	50	97,6	118,0	-	-



Prozess- anschl. DN [mm]	Messauf- nehmer DN [mm]	L [mm]	Rohrverschraubung nach folgender Norm	
			SMS 1145	
			D <sub>i</sub> [mm]	D <sub>o</sub> [mm]
25	25	40	22,6	40,0
38	40	40	35,6	60,0
51	50	40	48,6	70,0
63,5	65	45	60,3	85,0
76	65	45	72,0	98,0

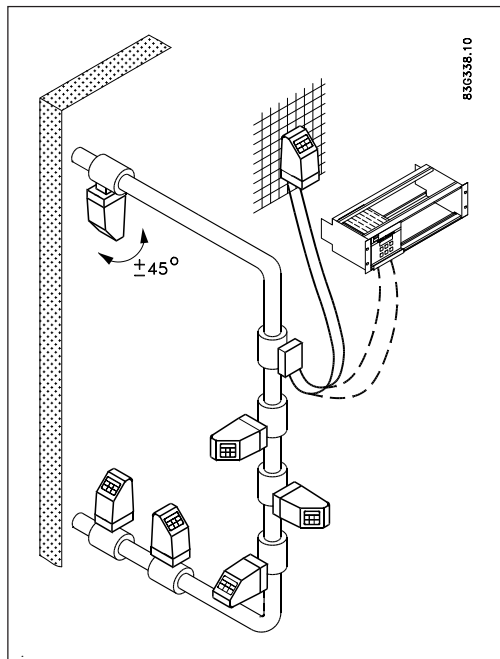
**Einbaulänge**



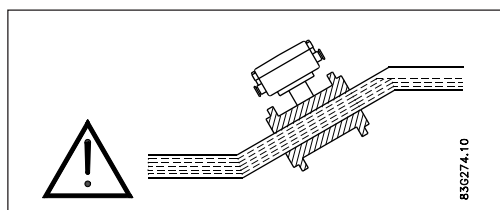
Nennweite		A		L <sup>1)</sup>	
DN	Inch	[mm]	[inch]	[mm]	[inch]
10	3/8	99	3,90	146	5,75
15	1/2	99	3,90	146	5,75
25	1	113	4,45	161	6,34
40	1 1/2	126	4,96	176	6,93
50	2	154	6,06	186	7,32
65	2 1/2	165	6,50	223	8,78
80	3	200	7,87	258	10,16
100	4	225	8,86	288	11,34

1) Die Gesamteinbaulänge "L" ist unabhängig vom ausgewählten Adaptertyp.

**Einbau, allgemein**

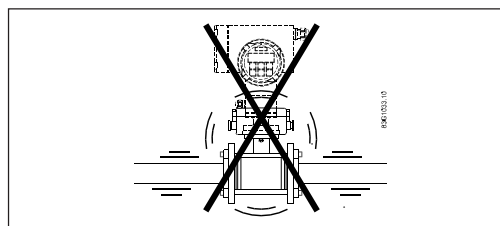
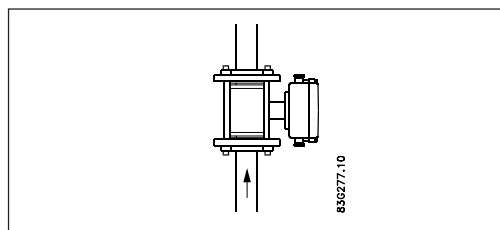
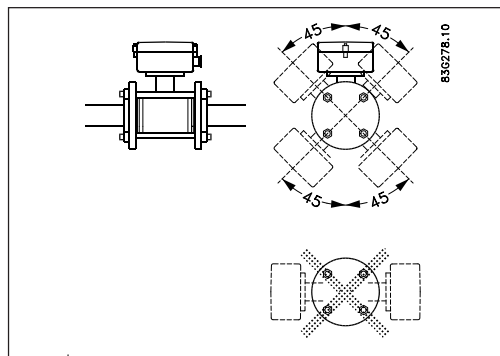
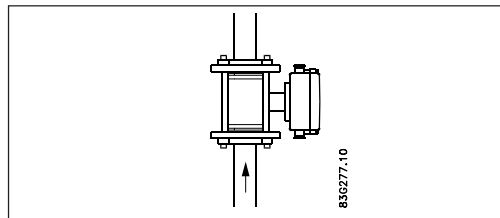
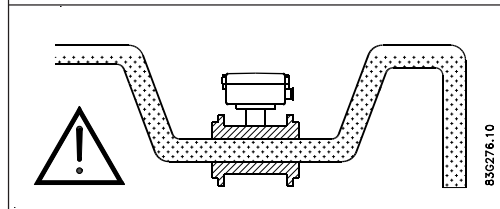
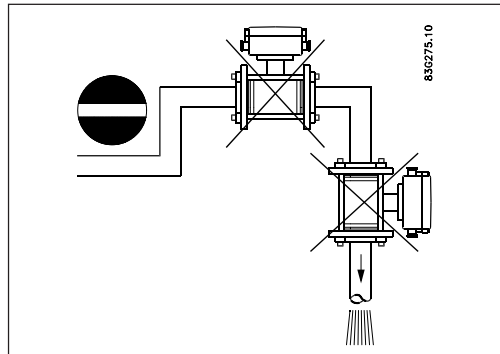


Der Durchflußmesser kann in jeder Einbaulage abgelesen werden, da die Anzeige drehbar ist und in jeder beliebigen Position im Verhältnis zum Meßaufnehmer eingebaut werden kann. Die endgültige Position sollte vor der Montage festgelegt werden. Um optimale Meßergebnisse zu sichern, sind folgende Hinweise zu beachten:



Der Meßaufnehmer muß immer vollständig gefüllt sein.

**Einbau, allgemein**  
(Fortsetzung)



Vermeiden Sie:

- Einbau an höchster Stelle des Rohrsystems
- Einbau in einer senkrechten Rohrleitung mit freiem Ablauf.

Ist eine nur teilweise gefüllte Rohrleitung oder der freie Ablauf nicht zu vermeiden, sollte der Durchflußmesser gedükkert werden.

**Einbau in einer senkrechten Rohrleitung**

Empfohlene Strömungsrichtung: von unten nach oben. Dadurch werden ungenaue Meßergebnisse, verursacht durch Gas- bzw. Luftblasen im Medium, vermieden.

**Einbau in einer waagerechten Rohrleitung**

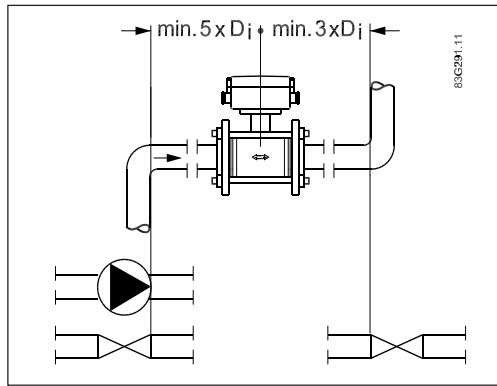
Der Meßaufnehmer ist wie nebenstehend in der oberen Abbildung gezeigt zu montieren. Wegen der Lage der Elektroden oben (hier können Luftblasen entstehen) und unten (eventuelle Ansammlung von Schlamm, Sand usw.) darf die Montage nicht wie in der unteren Abbildung gezeigt erfolgen. Wird die Leerlaufüberwachung aktiviert, um einen leeren Meßaufnehmer zu melden, dürfen Meßaufnehmer und Meßumformer nicht mehr als 45 bis 60° gedreht werden, siehe obere Abbildung.

**Messen von verunreinigten bzw. abrasiven Medien**

In diesem Fall wird der Einbau in einer senkrechten bzw. schrägen Rohrleitung empfohlen, um Verschleiß bzw. Ablagerungen so weit wie möglich zu vermeiden.

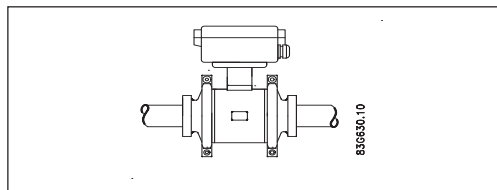
**Vermeiden Sie Vibrationen!**

**Ein- und Auslauf**



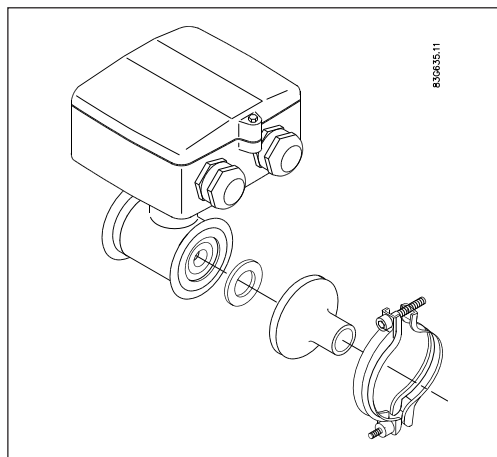
Genauere Meßwerte können nur dann erzielt werden, wenn ausreichend große gerade Ein- und Auslaufstrecken sowie genügender Abstand nach Pumpen, Ventilen o. ä. eingehalten werden. Außerdem muß der Durchflußmesser mittig zu den Flanschen und Dichtungen des Rohrsystems eingebaut werden.

**Potentialausgleich**



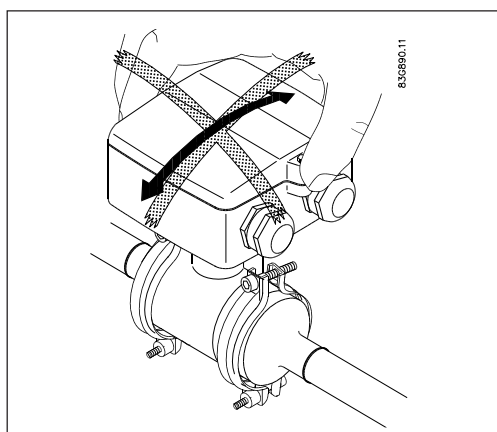
Der Meßaufnehmer wird zwischen zwei Prozeßanschlüssen montiert. Der Potentialausgleich mit dem Medium erfolgt automatisch über diese Prozeßanschlüsse und das angrenzende Rohr.

**Montage**



Der Meßaufnehmer MAG 1100 F hat einen integrierten Clamp-Anschluß und ist für die Montage zwischen zwei separat gelieferten Adapterflanschen ausgelegt. Diese sind in mehreren Varianten erhältlich und den üblichen Normen angepaßt: ISO, DIN, SS, SMS, BS und DS für Einschweißen in Milch-rohren oder mit Clamp- oder Gewindeanschluß. Beim Zusammenbau wird die Dichtung in die Einkerbung in der Vorderseite des Adapters

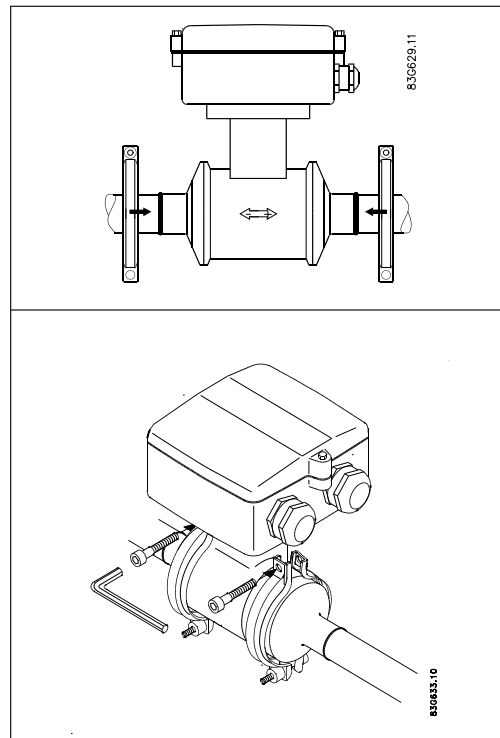
eingefügt. Der Adapter wird daraufhin mit einem Klemmring am MAG 1100 F Messaufnehmer befestigt. Der Klemmring muss stark genug angezogen werden, um ein Abschießen der Dichtung zu gewährleisten. Vermeiden Sie jedoch eine Kompression der Dichtung, die ein Durchdrücken ins Bohrloch von mehr als 0,8 mm verursacht. Neuartige Verbunddichtungen, die das Risiko des Durchdrückens verringern, werden heute an bekannte Kunden ausgeliefert. Es wird empfohlen, alte Dichtungen so bald wie möglich durch diesen neuen Typ zu ersetzen. Alle Nachbestellungen für Ersatzdichtungen betreffen den neuen Dichtungstyp. Siemens empfiehlt, alle Dichtungen nach einer Zeit, die einer durchgängigen Verwendung von drei Monaten entspricht, zu ersetzen. Um die Anforderungen des 3-A Sanitary Standards zu erfüllen, muss der Messaufnehmer getrennt montiert werden. Um optimale Genauigkeit und hygienische Verhältnisse zu erreichen, ist es wichtig, daß die Mittellinien von Meßaufnehmer und Rohr zusammenfallen, so daß die Armaturen senkrecht zu dem Rohr montiert sind, und daß die Einlaufstrecke sich nicht biegt oder schief liegt.



**Zur Beachtung**

Wenn die Klemmringe befestigt sind, darf der Meßaufnehmer nicht mehr um die eigene Achse gedreht werden, da die Auskleidung dadurch beschädigt werden kann. Der Meßaufnehmer darf nur dann gedreht werden, wenn die Klemmringe demontiert oder vollständig locker sind.

**Installation, welding type adapter**

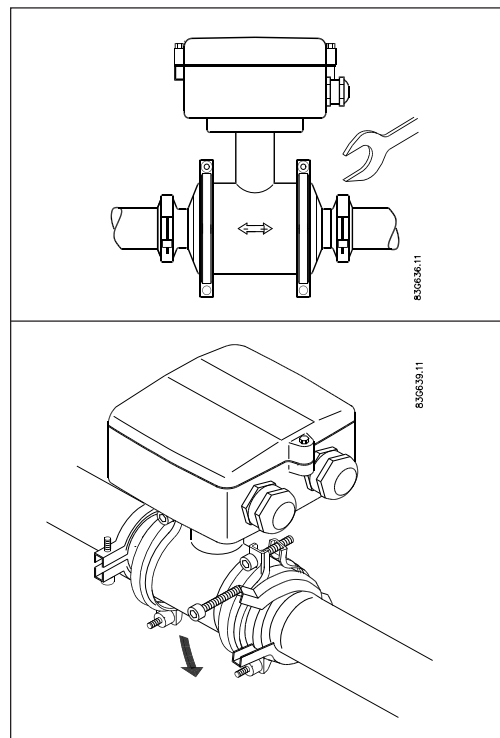


Die zwei Adapterflanschen werden an die vorhandene Rohrleitung geschweißt. Es ist wichtig, eine senkrechte Schweißung der Adapter sicherzustellen um eine schiefe Dichtfläche gegen den Meßaufnehmer zu vermeiden.

Die Montage sollte wie nachfolgend beschrieben, durchgeführt werden:

1. Ein Stück aus der Rohrleitung sägen, das mit dem Maß für die Einbaulänge „L“ übereinstimmt.
2. Der Meßaufnehmer und die Adapter mit den Klemmring ohne Dichtungen zusammenbauen.
3. Den Meßaufnehmer in die Rohrleitung einfügen und die Adapter heftschweißen.
4. Klemmringe entfernen und den Meßaufnehmer herausnehmen.
5. Die Adapter an den Rohren festschweißen.
6. Den Meßaufnehmer mit Dichtungen und Klemmringen montieren.

**Montage mit Clamp-Adapter**

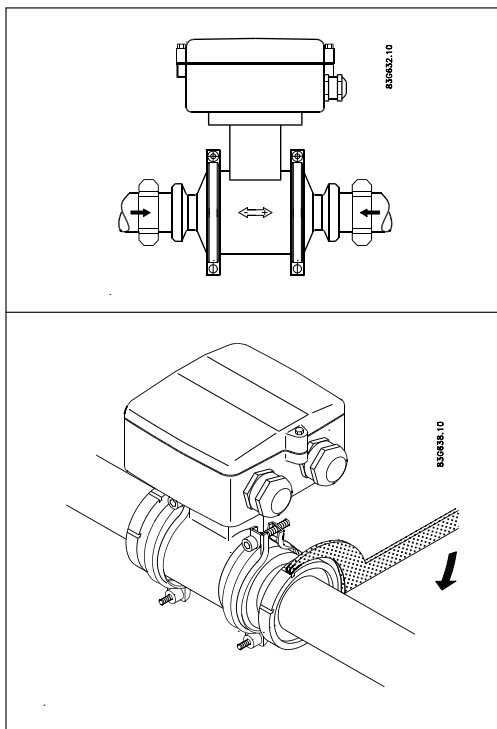


Meßaufnehmer und Adapterflansche zu einer Einheit zusammenbauen und in die Rohrleitung montieren, die mit passenden Armaturen versehen ist. Dichtungen nach geltender Anschlußnorm müssen für den aktuell benutzten Clamp-Anschluß verwendet werden.

Der Klemmring muß plziert, geschlossen und festgespannt werden.

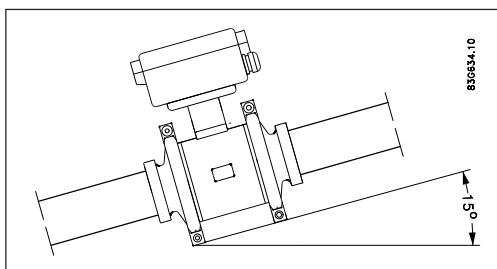


**Montage mit  
Gewindadapter**



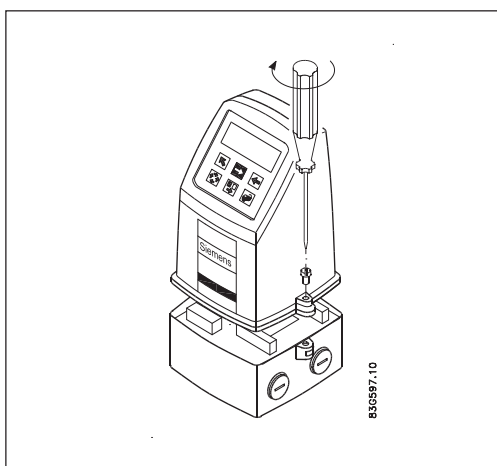
Meßaufnehmer, Dichtungen und Adapterflansche werden zu einer Einheit zusammengebaut und in die Rohrleitung montiert, die mit passenden Armaturen versehen ist. Dichtungen nach geltenden Anschlußnormen für den aktuell benutzten Gewindeanschluß verwenden. Das Spannen erfolgt mit eine für den Anschluß passenden Spezialschlüssel.

**Selbstentleerung**



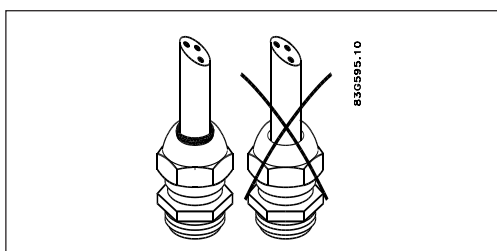
In den Anwendungen, bei denen man Selbstentleerung des Rohrsystems wünscht, muß der Meßaufnehmer mit einer Neigung von min. 15° zur waagerechten Ebene montiert werden.

**Montage von Deckel oder  
Meßumformer auf den  
Klemmenkasten**



1. Ausschließend den Deckel oder den Meßumformer auf den Klemmenkasten montieren.
2. Darauf achten, daß die Schrauben gut festgezogen werden (min. 4Nm).

**Montage, Kabel**



Die Kabelverschraubungen fest anziehen, um optimale Dichtheit zu gewährleisten. Die Dichtungen in der Kabelverschraubung sollen deutlich um das Kabel klemmen.

**Stellungnahme des  
Herstellers hinsichtlich  
Aufbau und Sicherheit**

1. Die Verantwortung für die Wahl der Auskleidungs- und Elektrodenwerkstoffe hinsichtlich ihrer Abrieb- und Korrosionsfestigkeit trägt der Käufer; die Auswirkung jeglicher Änderung im Prozessmedium während der Betriebs-Lebensdauer des Durchflussmessers sollte man berücksichtigen. Unsachgemäße Wahl der Auskleidungs- und/oder Elektrodenwerkstoffe könnte zu einem Ausfall des Durchflussmessers führen.
2. Es liegt in der Verantwortung des Benutzers dafür zu sorgen, dass Anspannungen und Belastungen durch Erdbeben, Verkehr, starke Winde und Brandschäden beim Einbau gegebenenfalls berücksichtigt werden. Diese Kräfte werden bei der Auslegung des Durchflussmessers nicht berücksichtigt.
3. Es liegt in der Verantwortung des Benutzers, den Durchflussmesser so einzubauen, dass er nicht im Zentrum von Rohrleitungs-Verformungen steht. Externe Belastungen werden bei der Auslegung des Durchflussmessers nicht berücksichtigt.
4. Während des Betriebs nicht die Druck- und/oder Temperaturwerte überschreiten, die auf dem Typenschild oder in den Einbauanweisungen angegeben sind.
5. Es liegt in der Verantwortung des Benutzers dafür zu sorgen, dass alle Installationen einen Überdruckschutz, Vorrichtungen zum Entleeren/Entlüften und einen geeigneten Schutz zur Minimierung der Berührungsfahr mit heißen Oberflächen enthalten.
6. Unter der Druckbehälter-Richtlinie ist dieses Produkt ein Druckzubehör und nicht zur Verwendung als Sicherheitszubehör zugelassen, wie in der Druckbehälter-Richtlinie festgelegt.
7. Der Abbau der Anschlussdose, außer durch Siemens Flow Instruments oder deren zugelassene Vertreter, macht die PED-Konformität des Produkts ungültig.  
Gemäß der Druckbehälter-Richtlinie (97/23/EG).

## Débitmètre à induction magnétique SITRANS F M type MAG 1100 F, DN 10 - DN 100 3/8" - 4"

083R9057

083R9057

### Présentation

Siemens Flow Instruments SITRANS F M débitmètres à induction magnétique consistent d'une tête de mesure et d'un convertisseur de signaux. Cette instruction seulement concerne le montage de la tête de mesure. Pour plus d'informations sur le montage du convertisseur de signaux, voir le Manuel.

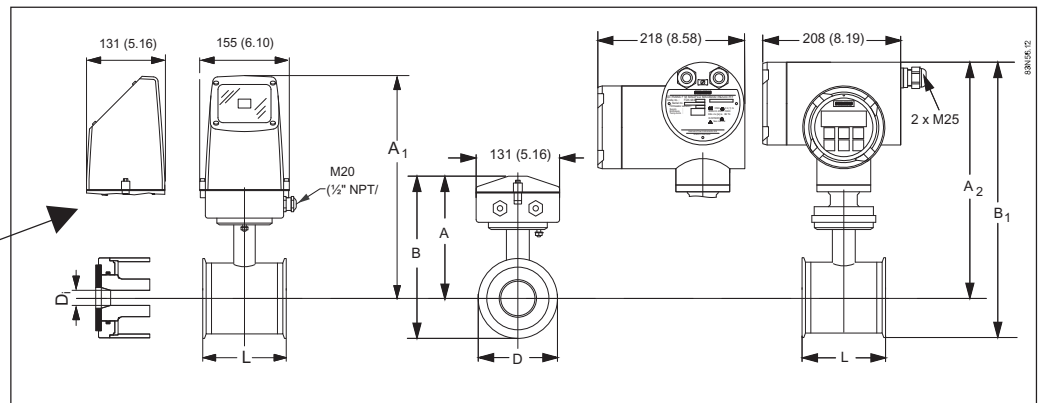
Les Documentations techniques (manuels, instructions, etc...) de la gamme de produits SITRANS F peuvent être trouvées sur internet/intranet avec le lien suivant :

Français: <http://www4.ad.siemens.de/WW/view/fr/10806951/133300>

### Sensor MAG 1100 F

### MAG 1100 F/6000, MAG 1100 F/5000 et MAG 1100 F/6000I, montage compact et séparé

**Remarque importante :**  
Pour éviter d'exercer une tension excessive sur la tête de mesure, prévoir un support adapté pour le MAG 6000 I, montage compact.

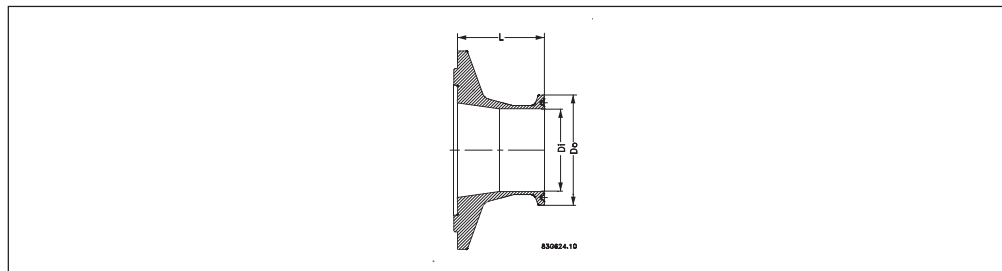


Size	L	A	A <sub>1</sub> /A <sub>2</sub> <sup>3)</sup>	B <sup>2)</sup>	B <sub>1</sub>	D	D <sub>i</sub> (Al <sub>2</sub> O <sub>3</sub> )	D <sub>i</sub> (PFA)	Poids <sup>2)</sup>
DN	[mm]	[mm]	[mm]	[mm]	[mm]	[mm]	[mm]	[mm]	[kg]
10	64	161	315	193,7	344,7	64,0	10	10	2,2
15	64	161	315	193,7	344,7	64,0	15	16	2,2
25	79	169	323	207,5	359,0	77,5	25	26	2,7
40	94	179	333	228,0	379,0	91,0	40	38	3,4
50	104	188	342	247,7	398,7	119,0	50	50	4,2
65	131	197,5	351	262,6	413,6	130,0	65	66	5,5
80	156	204	357	281,0	432,0	155,0	80	81	7,0
100	186	217	370	308,0	459,0	183,0	100	100	10,0

Size	L	A <sup>1)</sup>	A <sub>1</sub> /A <sub>2</sub> <sup>3)</sup>	B <sup>2)</sup>	B <sub>1</sub>	D	D <sub>i</sub> (Al <sub>2</sub> O <sub>3</sub> )	D <sub>i</sub> (PFA)	Weight <sup>1)</sup>
[inch]	[inch]	[inch]	[inch]	[inch]	[inch]	[inch]	[inch]	[inch]	[lb]
3/8	2,52	6,34	12,40	7,62	13,57	2,52	0,39	0,39	4,8
1/2	2,52	6,34	12,40	7,62	13,57	2,52	0,59	0,63	4,8
1	3,11	6,66	12,72	8,17	14,13	3,05	0,98	1,02	4,9
1 1/2	3,70	7,05	13,11	8,98	14,92	3,58	1,57	1,50	7,5
2	4,09	7,40	13,47	9,75	15,70	4,68	1,97	1,97	9,2
2 1/2	5,16	7,78	13,82	10,34	16,28	5,12	2,56	2,60	12,0
3	6,14	8,03	14,06	11,06	17,01	6,10	3,15	3,19	15,0
4	7,32	8,54	14,57	12,13	18,07	7,20	3,94	3,94	22,0

- 1) Avec le convertisseur de signaux MAG 5000 ou MAG 6000, le poids sera majoré de 0,8 kg (1.8 lb) env. Poids augmenté de 5,5 kg (12.1 lbs) avec le MAG 6000 I
- 2) Raccourci de 14,5 mm (0.571") lorsqu'une boîte de jonction AISI est utilisée (version ATEX impérative)
- 3) A<sub>2</sub> est 3 mm(0.12") plus court que A<sub>1</sub>.

Accessoires MAG 1100 F



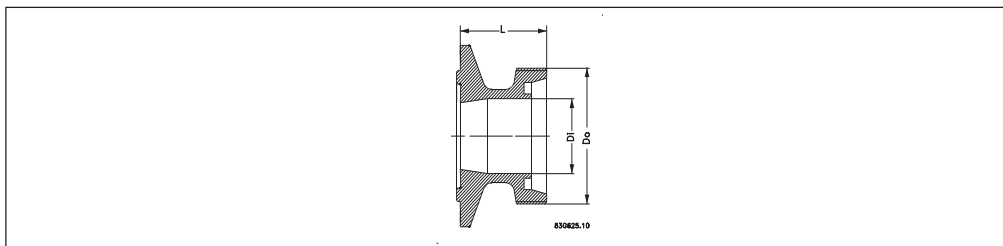
Adapta- teur DN [mm]	Tête de mesure DN [mm]	L [mm]	Raccord soudé					
			DIN 11850		ISO 2037 (SMS 3008)		Tri-Clover® (B54825-1)	
			D <sub>i</sub> [mm]	D <sub>o</sub> [mm]	D <sub>i</sub> [mm]	D <sub>o</sub> [mm]	D <sub>i</sub> [mm]	D <sub>o</sub> [mm]
10	10	40	10,0	13,0	10,0	13,0	9,4	12,7
15	15	40	16,0	19,0	16,0	19,0	-	-
15,9	15	40	-	-	-	-	15,75	19,05
20	15	40	-	-	20,0	23,0	-	-
25	25	40	-	-	22,6	25,6	22,1	25,4
25	25	40	26,0	29,0	-	-	-	-
28	25	40	-	-	25,6	28,6	-	-
32	25	40	-	-	-	-	-	-
32	25	40	32,0	35,0	-	-	-	-
38	40	40	-	-	35,6	38,6	34,8	38,1
40	40	40	-	-	37,6	40,6	-	-
40	40	40	38,0	41,0	-	-	-	-
50	50	40	-	-	48,6	51,6	47,5	50,8
50	50	40	50,0	53,0	-	-	-	-
63,5	65	45	-	-	60,3	64,1	60,2 <sup>1)</sup>	63,5 <sup>1)</sup>
65	65	45	66,0	70,0	-	-	-	-
76	65	45	-	-	-	-	-	-
76,1	80	50	-	-	72,9	76,7	72,9	76,2
80	80	50	81,0	85,0	-	-	-	-
100	100	50	100	104	-	-	-	-
101,6	100	50	-	-	97,6	102,5	97,38 <sup>1)</sup>	101,6 <sup>1)</sup>
114,3	100	50	-	-	110,3	115,6	-	-

1) For BS4825-1 see ISO 2037

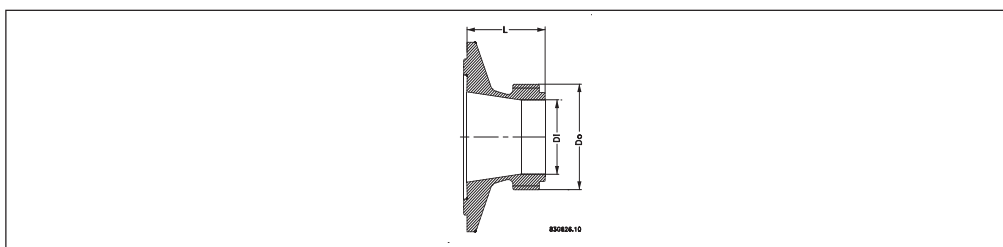
Adapta- teur DN [mm]	Tête de mesure DN [mm]	L [mm]	Raccord clamp					
			DIN 11850		ISO 2037 (SMS 3008, B54825-3)		Tri-Clover®	
			D <sub>i</sub> [mm]	D <sub>o</sub> [mm]	D <sub>i</sub> [mm]	D <sub>o</sub> [mm]	D <sub>i</sub> [mm]	D <sub>o</sub> [mm]
10	10	40	10,0	34,0	10,0	34,0	10,0	34,0
15	15	40	16,0	34,0	16,0	34,0	10,0	34,0
25	25	40	-	-	-	-	22,6	50,5
25	25	40	26,0	50,5	26,0	-	-	-
33,7	25	40	-	-	31,3	50,5	-	-
38	40	40	-	-	35,6	38,6	35,6	50,5
40	40	40	38,0	50,0	-	-	-	-
50	50	40	50,0	64,0	-	-	-	-
51	50	40	-	-	48,6	64,0	48,6	64,0
63,5	65	45	-	-	60,3	77,5	60,3	77,5
65	65	45	66,0	91,0	-	-	-	-
76,1	80	50	-	-	72,9	91,0	72,9	91,0
80	80	50	81,0	85,0	-	-	-	-
100	100	50	100	119,9	-	-	-	-
101,6	100	50	-	-	97,6	119,0	97,6	119,0

Tri-Clover® sont des marques déposées de Ladish Co.

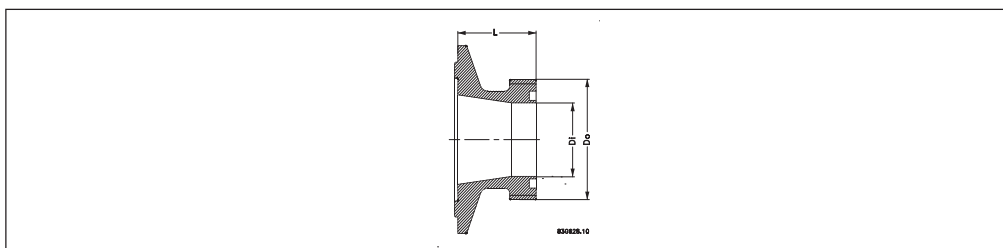
Accessoires MAG 1100 F  
(suite)



Adaptateur DN [mm]	Tête de mesure DN [mm]	L [mm]	Raccord vissé	
			DIN 11851	
			Di [mm]	Do [mm]
10	10	40	10,0	28,0
15	15	40	16,0	34,0
20	15	40	20,0	44,0
25	25	40	26,0	52,0
32	25	40	32,0	58,0
40	40	40	38,0	65,0
50	50	40	50,0	78,0
65	65	45	66,0	95,0
80	80	50	81,0	110,0
100	100	50	100,0	130,0

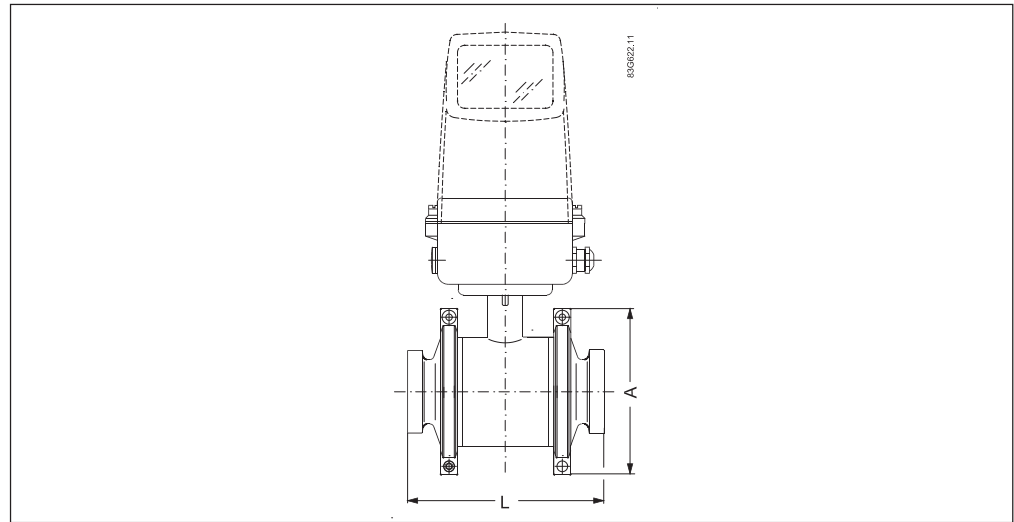


Adaptateur DN [mm]	Tête de mesure DN [mm]	L [mm]	Raccord vissé			
			ISO 2853		BS 4825-4	
			Di [mm]	Do [mm]	Di [mm]	Do [mm]
25	25	40	22,6	37,0	22,6	37,0
38	40	40	35,6	51,0	35,6	51,0
51	50	40	48,6	64,0	48,6	64,0
63,5	65	45	60,3	78,0	60,3	78,0
76,1	80	50	72,9	91,0	72,9	91,0
101,6	100	50	-	-	97,6	126,0
101,6	100	50	97,6	118,0	-	-



Adaptateur DN [mm]	Tête de mesure DN [mm]	L [mm]	Raccord vissé	
			SMS 1145	
			Di [mm]	Do [mm]
25	25	40	22,6	40,0
38	40	40	35,6	60,0
51	50	40	48,6	70,0
63,5	65	45	60,3	85,0
76	65	45	72,0	98,0

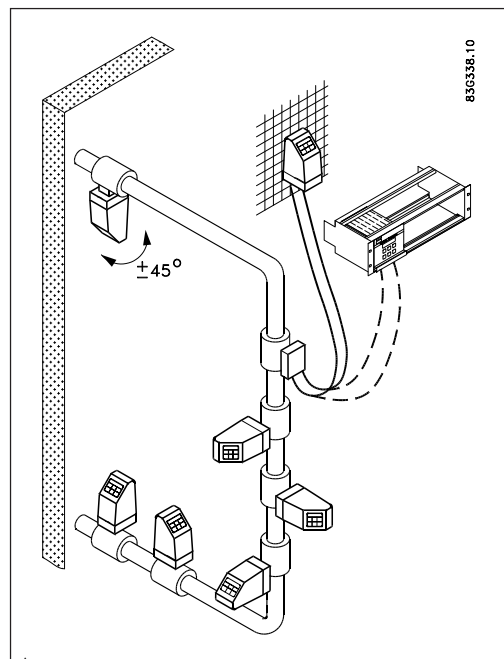
Longueur totale



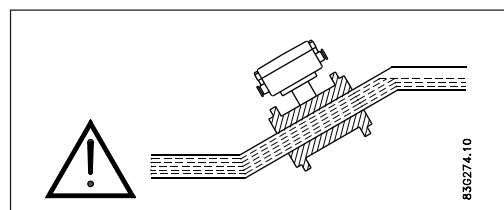
Size		A		L 1)	
DN	Inch	[mm]	[inch]	[mm]	[inch]
10	3/8	99	3.90	146	5.75
15	1/2	99	3.90	146	5.75
25	1	113	4.45	161	6.34
40	1 1/2	126	4.96	176	6.93
50	2	154	6.06	186	7.32
65	2 1/2	165	6.50	223	8.78
80	3	200	7.87	258	10.16
100	4	225	8.86	288	11.34

1) La longueur d'installation totale "L" est indépendante du type d'adaptateur choisi.

Installation générales

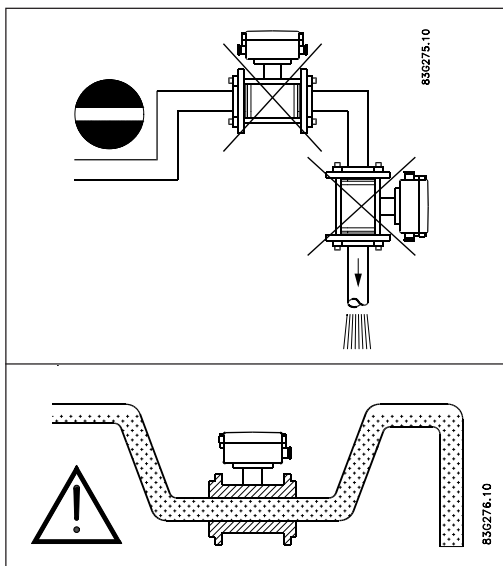


Il est possible de lire et d'utiliser le débitmètre dans la plupart des conditions d'installation l'afficheur pouvant être orienté par rapport à la tête de mesure. Pour obtenir des mesures de débit optimales, respecter les recommandations suivantes:



La tête de mesure doit toujours être totalement remplie de liquide.

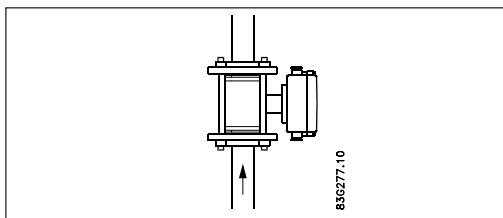
**Installation, général**  
(suite)



Pour cela, éviter:

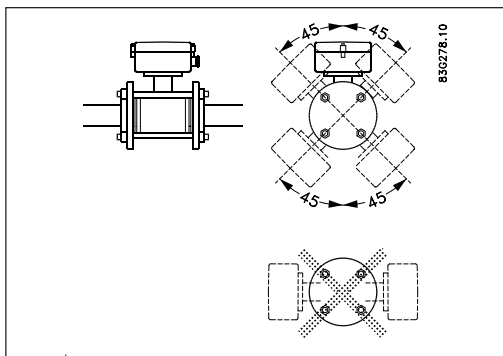
- le montage au point le plus haut de la tuyauterie,
- le montage sur tubes verticaux à sortie libre.

Dans le cas de tubes en partie vides ou à écoulement vers le bas et sortie libre, le débitmètre doit être installé dans un tube en U.



**Installation sur conduites verticales**

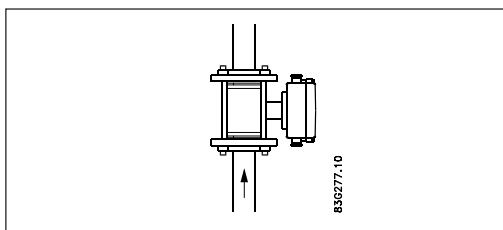
Sens d'écoulement recommandé: vers le haut, afin de minimiser l'effet des bulles d'air ou de gaz pouvant se trouver dans le liquide sur la précision de mesure.



**Montage sur conduites horizontales**

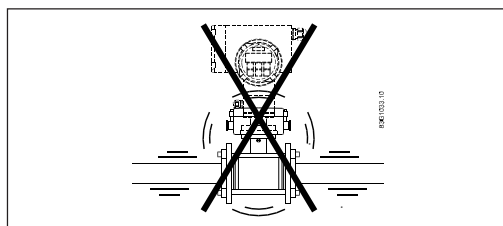
La tête de mesure doit être montée conformément à la figure du haut. Éviter le montage de la figure du bas les électrodes étant situées dans la partie supérieure, où des bulles d'air peuvent se former, et dans la partie inférieure, où peuvent se trouver de la boue, du sable, etc.

Pour une surveillance optimale des conduites vides, la tête de mesure doit être orientée selon un angle de 45°, comme indiqué par la figure du haut.



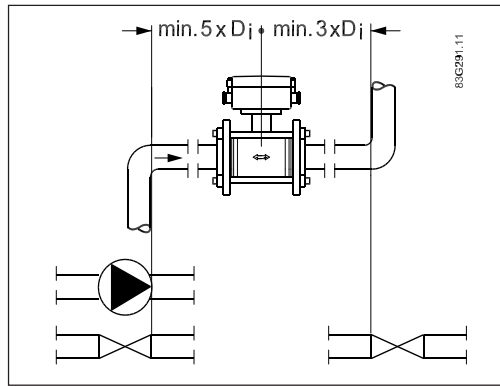
**Mesure de fluides abrasifs ou contenant des particules en suspension**

Dans ce cas, nous recommandons un montage sur conduites verticales/inclinées pour réduire l'usure et les dépôts dans la tête de mesure.



**Tenir à l'écart des vibrations!**

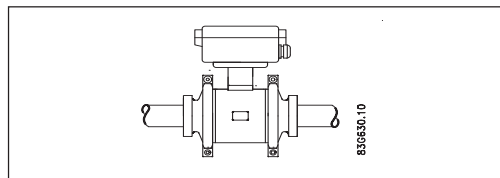
**Conditions amont et aval**



Pour garantir la précision des mesures débits, prévoir des sections droites en amont et en aval de la tête de mesure et maintenir une distance suffisante entre les pompes et les vannes.

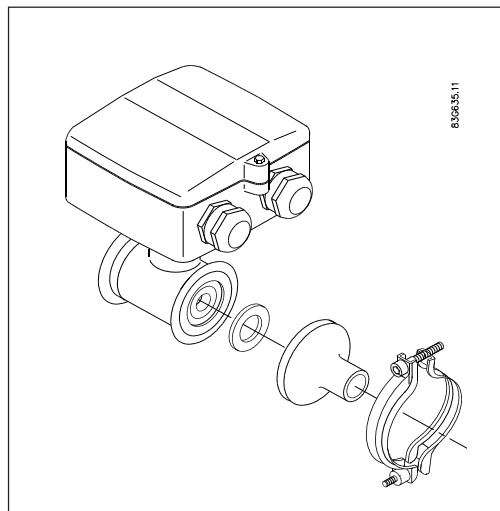
Il est également important de centrer le débitmètre par rapport aux brides et aux joints de la tuyauterie.

**Egalisation de potentiel**



La tête de mesure doit être installée entre deux raccords. Ces raccords et le tube voisin permettent une égalisation de potentiel automatique avec le fluide.

**Installation**



La tête de mesure MAG 1100 FOOD possède un raccord clamp incorporé et doit être montée entre deux adaptateurs, fournis séparément. Ces adaptateurs existent en différentes versions, conformes aux normes ISO, DIN, SS, SMS, BS et DS, pour soudage direct sur conduites alimentaires ou avec raccords clamp ou filetés. A l'assemblage, un joint d'étanchéité est placé dans la niche de l'adaptateur. L'adaptateur est

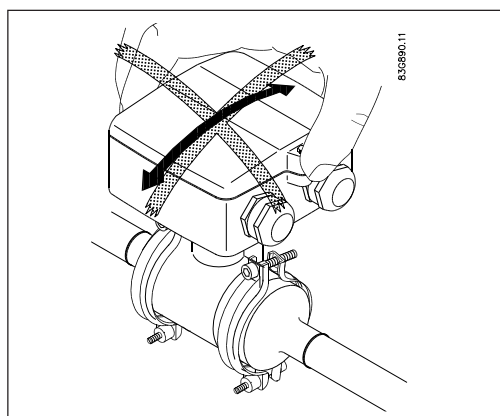
fixé au capteur MAG 1100 F avec un raccord clamp. Le raccord clamp doit être suffisamment serré pour garantir l'étanchéité du joint. Toutefois, il est important d'éviter la compression du joint entraînant un dépassement dans le perçage de plus de 0,8 mm.

Un nouveau type de joint composite réduit le risque de protubérance. Ce nouveau type de joint est à présent fourni aux utilisateurs actuels et il est recommandé de remplacer les joints existants par ce nouveau modèle très rapidement. Ce nouveau type de joint sera fourni systématiquement pour toute nouvelle commande de joints de remplacement.

Siemens recommande le remplacement de tous les joints après une période équivalente à trois mois de service continu.

Pour répondre aux exigences du standard 3-A sanitaire, le capteur doit être monté séparément.

Pour obtenir une précision et des conditions d'hygiène optimales, il est important de veiller au bon alignement de la tête de mesure et des conduites le long de l'axe médian, les raccords doivent être perpendiculaires à la canalisation et les canalisations amont doivent être rectilignes, sans courbes.

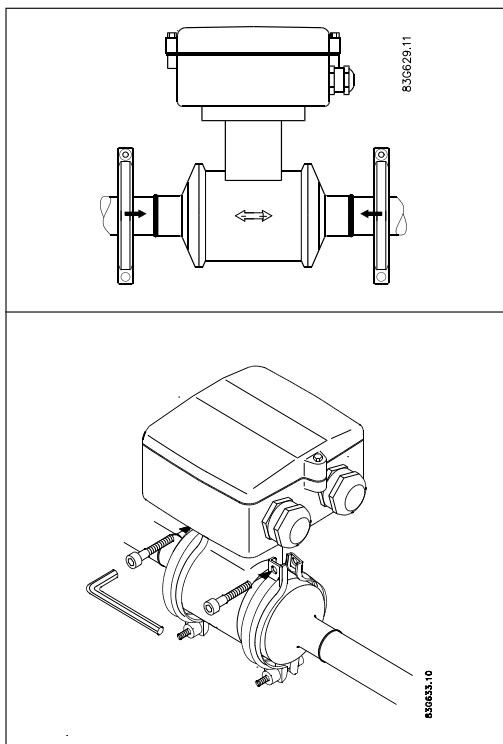


**Attention**

Tourner le corps du capteur après avoir serré les raccords clamp peut endommager le revêtement interne du capteur. Le capteur peut être bougé quand les raccords clamp sont desserrés ou démontés.



**Installation, type de soudure**

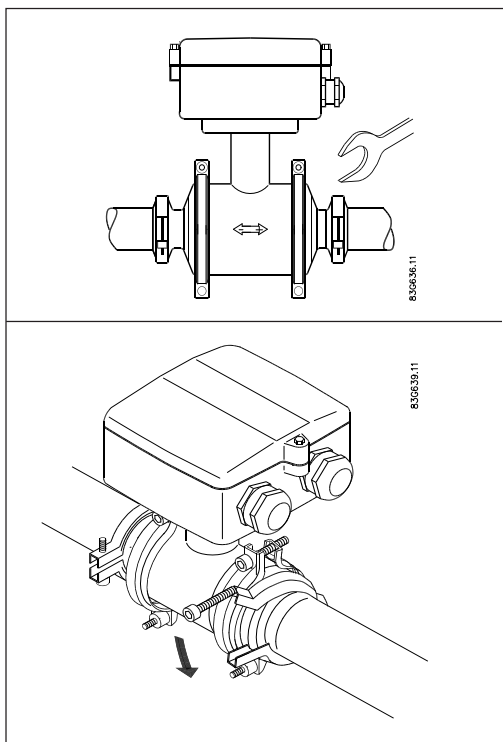


Les deux adaptateurs se soudent directement sur les conduites alimentaires. La soudure doit être perpendiculaire à la canalisation afin d'éviter tout défaut d'alignement entre la tête de mesure et le revêtement de l'adaptateur.

L'installation doit être effectuée de la manière suivante :

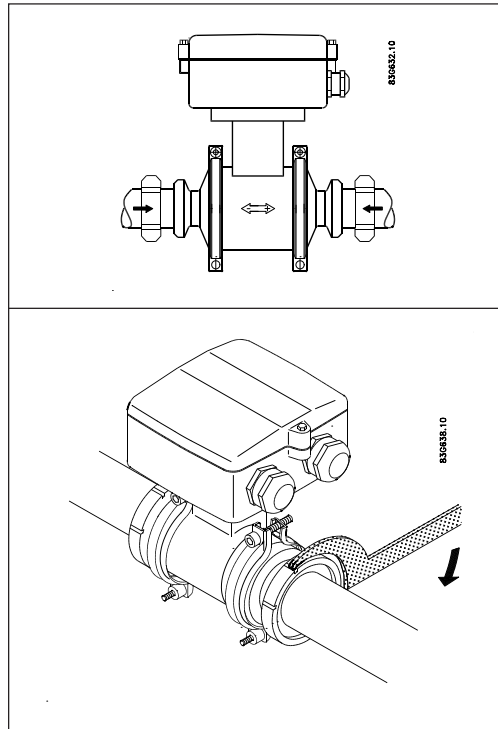
1. Couper un tronçon de canalisation égal à la longueur de montage totale "L", fournie avec les dimensions effectives de la tête de mesure.
2. Monter la tête de mesure et les adaptateurs à l'aide des bagues de serrage, **sans les joints**.
3. Monter la tête de mesure et souder les adaptateurs sur la conduite.
4. Retirer les bagues de serrage et démonter la tête de mesure.
5. Souder les adaptateurs solidement sur la conduite.
6. Réinstaller la tête de mesure, avec les joints et les bagues de serrage.

**Installation, adaptateur de type clamp**



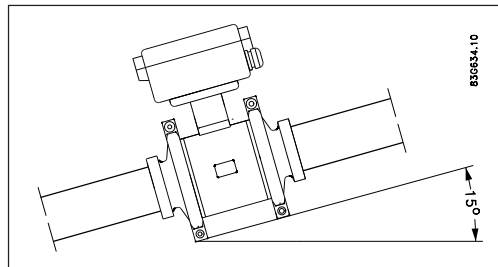
Monter les joints et les adaptateurs sur la tête de mesure puis installer l'ensemble sur une canalisation dotée d'un raccord adapté. Employer les joints standard correspondant au raccord clamp effectivement utilisé. Mettre en place, fermer et serrer les bagues de serrage.

**Installation, adaptateur fileté**



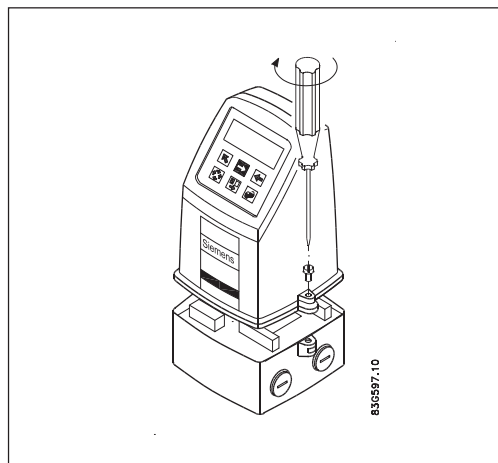
Monter les joints et les adaptateurs sur la tête de mesure puis installer l'ensemble sur une canalisation dotée d'un raccord adapté. Employer les joints standard correspondant au raccord fileté effectivement utilisé. Pour le serrage, utiliser une clé pour raccords adaptée.

**Vidange automatique**



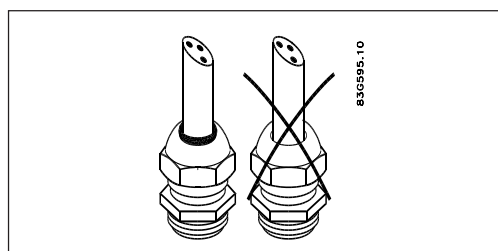
Pour les applications exigeant une vidange automatique, la tête de mesure doit être installée selon un angle minimum de 15° par rapport au plan horizontal.

**Installation du couvercle ou du convertisseur de signaux sur la boîte à bornes**



1. Monter le couvercle ou le convertisseur de signaux sur la boîte à bornes.
2. Veiller au serrage correct des vis (4 Nm). Employer pour cela un tournevis de grande taille adapté à la tête de vis.

**Installation, câble**



Serrer les entrées de câble de manière à garantir une étanchéité optimale. Veiller à assurer un contact parfait entre le joint d'entrée de câble et le câble.

**Déclaration du fabricant  
à l'égard de la construction  
et de la sécurité**

1. L'acheteur est responsable pour le choix des matériaux de revêtement et d'électrode à l'égard de leur résistance à l'usure et à la corrosion; il faut tenir compte de l'effet de tout changement dans le fluide de procès pendant la durée de service du débitmètre. Le choix inopportun des matériaux de revêtement et/ou d'électrode pourrait causer une défaillance du débitmètre.
  2. Lors de l'installation l'utilisateur doit prendre en compte les pressions et les charges susceptibles d'être provoquées par les tremblements de terre, le trafic, les vents forts et les incendies. Ces forces extérieures ne sont pas prises en compte lors de la conception du débitmètre.
  3. L'utilisateur doit veiller à ce que le débitmètre soit installé de sorte qu'il ne soit pas une cible pour les tensions exercées sur les conduites. Ces charges extérieures ne sont pas prises en compte lors de la conception du débitmètre.
  4. Pendant le fonctionnement, ne pas dépasser les valeurs de pression et/ou de température, indiquées sur la plaque d'identification ou dans les instructions d'installation.
  5. L'utilisateur doit s'assurer que toutes les installations comportent une protection adéquate des sur-pressions, ainsi que des dispositifs de vidange/ventilation, et qu'une protection adéquate est assurée pour minimiser tout contact avec des surfaces chaudes.
  6. Sous la Directive Équipements de Pression, ce produit est un accessoire de pression et ne pas agréé pour l'utilisation comme accessoire de sécurité, comme fixé dans la Directive Équipements de Pression.
  7. Le démontage de la boîte de connexion, sauf si effectué par Siemens Flow Instruments ou leurs représentants autorisés, annule la conformité PED du produit.
- Selon la Directive Équipements de Pression (97/23/CE).

We have checked the contents of this manual for agreement with the hardware and software described. Since deviations cannot be precluded entirely, we cannot guarantee full agreement. However, the data in this manual are reviewed regularly and any necessary corrections included in subsequent editions. Suggestions for improvement are always welcomed.

Technical data subject to change without prior notice.

The reproduction, transmission or use of this document or its contents is not permitted without express written authority. Offenders will be liable for damages. All rights, including rights created by patent grant or registration of a utility model or design, are reserved.

Copyright © Siemens AG 06.2009 All Rights Reserved