

REVISIONS					
REV	ECO	DESCRIPTIONS	DWN	CKD	APVD
1	--	RELEASE FOR REV CONTROL	DMS		
			5/22/02		

TB3 - 0/4-20 mA ANALOG OUTPUTS	
PIN NO.	DESCRIPTION
7 OUT1-	OUTPUT 1- RTN (-)
6 OUT1+	OUTPUT 1 - SIG (+)

TB3 - FREQUENCY/TOTALIZER OUTPUTS	
PIN NO.	DESCRIPTION
9 FREQ 1-	OUTPUT 1 - RTN (-)
8 FREQ 1+	OUTPUT 1 - SIG (+)

TB1 - CH1 TRANSDUCER	
PIN NO.	DESCRIPTION
4 SIGDN	DOWNSTREAM SIG (+)
3 RTNDN	DOWNSTREAM RTN (-)
2 RTNUP	UPSTREAM RTN (-)
1 SIGUP	UPSTREAM SIG (+)

TB2 - CH2 TRANSDUCER	
PIN NO.	DESCRIPTION
4 SIGDN	DOWNSTREAM SIG (+)
3 RTNDN	DOWNSTREAM RTN (-)
2 RTNUP	UPSTREAM RTN (-)
1 SIGUP	UPSTREAM SIG (+)

TB4 - FREQUENCY/TOTALIZER OUTPUTS	
PIN NO.	DESCRIPTION
4 FREQ 2-	OUTPUT 2 - RTN (-)
3 FREQ 2+	OUTPUT 2 - SIG (+)

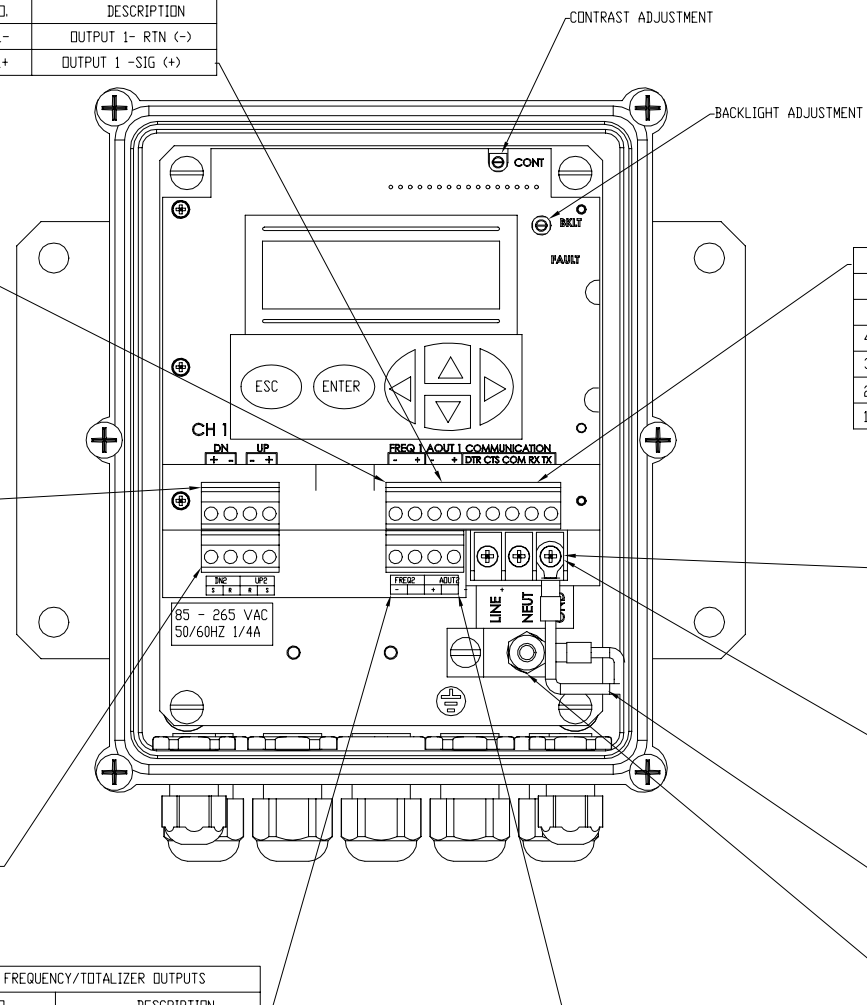
TB4 - 0/4-20 mA ANALOG OUTPUTS	
PIN NO.	DESCRIPTION
2 OUT2-	OUTPUT 2- RTN (-)
1 OUT2+	OUTPUT 2- SIG (+)

TB3 - RS232/RS485 SERIAL PORT		
PIN NO.	COLOR*	DESCRIPTION
5 DTR	WHITE	DATA TERMINAL READY
4 CTS	YELLOW	CLEAR TO SEND
3 CDM	GREEN	GROUND
2 RX	BLACK	RECEIVE
1 TX	RED	TRANSMIT

\* FOR STANDARD PANAMETRICS CABLES 704-659,660,661 AND 662

DC POWER INPUT	
PIN #	DESCRIPTION
1	LINE POSITIVE
2	LINE NEGATIVE
3	NO CONNECTION

AC POWER INPUT	
PIN #	DESCRIPTION
LINE	LINE POWER
NEUT	LINE NEUTRAL
GND	EARTH GROUND



NOTE:  
 1. FOR COMPLIANCE WITH THE EUROPEAN UNION'S LOW VOLTAGE DIRECTIVE (73/23/EEC), THIS UNIT REQUIRES AN EXTERNAL POWER DISCONNECT DEVICE SUCH AS A SWITCH OR CIRCUIT BREAKER. THE DISCONNECT DEVICE MUST BE MARKED AS SUCH, CLEARLY VISIBLE, DIRECTLY ACCESSIBLE AND LOCATED WITHIN 1.8 m (6 Ft) OF THE MODEL AT868

TOLERANCES FOR INCHES FRACTIONS DECIMALS ANGLES ± 1/32 .XX ± .001	TOLERANCES FOR MILLIMETERS DECIMALS ANGLES ± .XX ± .001	THIRD ANGLE PROJECTION	APPROVALS	DATE	TITLE
SURFACE FINISH		DO NOT SCALE THIS DRAWING	ENGINEER	5/22/02	AT868
CAN GENERATED DRAWING DO NOT MANUALLY UPDATE		MODEL NO.	AT868	SCALE: NONE	DO NOT SCALE DWG
DRAWING NUMBER		702-501		REV 1	
SHEET 1 OF 1		PANAMETRICS Waltham, Mass. 02453-3497 www.panametrics.com			