

T8 Smart Thermistor String

WITH DATA LOGGING



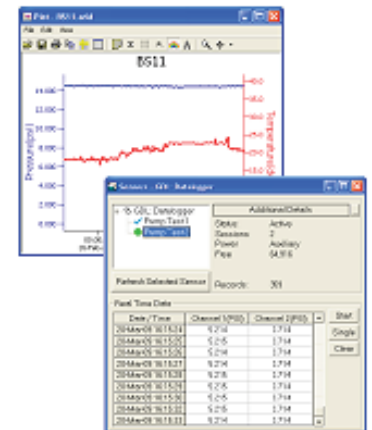
APPLICATIONS

Thermal remediation
Thermal profiling
Thermocline monitoring
Dam monitoring —
Thermal stratification
Tunneling/Boring (construction)
Leak detection
Controlling pumps and mixers

Need to measure temperature? Need multiple temperature points? This temperature string offers up to 8 channels of temperature data in one device. Need more? Simply network several devices together.

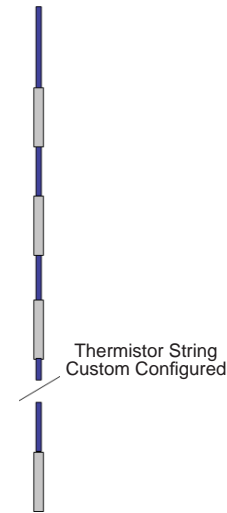
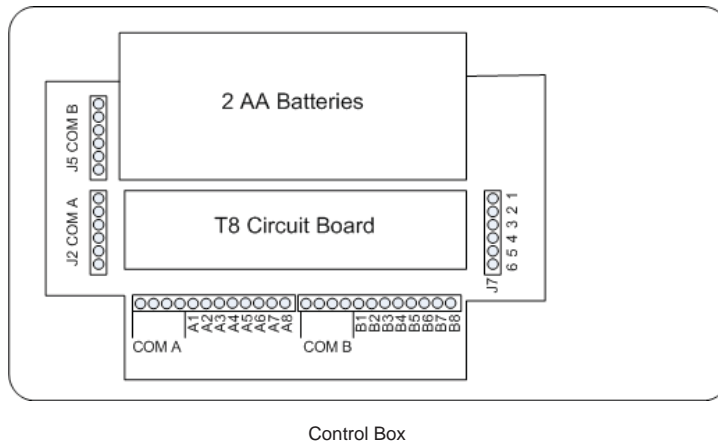
Features

- Records temperature and time
- Highly accurate thermistor (temperature nodes)
- Up to 8 temperature nodes — *at user specified locations*
- Variety of thermistors available
- Low power — *2 internal AA batteries*
- External power options (12 VDC) with AA's acting as backup
- Over 52,000 records — *non-volatile memory*
- Wireless connectivity — *radios and/or cellular*
- RS485 network — *connect with other AquiStar® Sensors*



FREE AQUA4PLUS SOFTWARE

- Set up flexible recording sequences
- Retrieve data
- Monitor real time data
- View collected data — *tables & graphs*
- Export to spreadsheets and databases with a click of a button



MECHANICAL

ENCLOSURE

Enclosure Material	ABS - IP66/67
Dimensions (box)	5.5" x 3.1" x 2.6" (14 x 7.9 x 6.6 cm)
Dimensions (incl. connectors)	6.0" x 3.1" x 2.6" (15.2 x 7.9 x 6.6 cm)
Wire Seal Materials	Fluorocarbon and Buna N

CABLE

Standard Cable	9- or 12-conductor shielded cable with polyurethane, polyethylene or Tefzel® cable
Cable diameter	0.280" (0.7 cm)
Thermistor node diameter	0.50" (1.3 cm)

OPERATING SPECIFICATIONS

TEMPERATURE

Accuracy	± 0.2° (at 25° C)
Resolution	0.1° C
Temperature Range	-35° C to 105° C <i>(depending on thermistor)</i>
Output	Modbus® RTU

POWER SUPPLY

Internal	2 AA Alkaline Batteries
Auxiliary	6 - 13 VDC, 15 mA

©2011 Instrumentation Northwest, Inc. All rights reserved. INW and AquiStar are registered trademarks of Instrumentation Northwest. Modbus is a registered trademark of Schneider Electric. Tefzel is a registered trademark of DuPont Company. Information in this document is subject to change without notice. Doc# 6D0092r2 10/11

SALES & SERVICE LOCATIONS

8902 122nd Avenue NE
Kirkland, WA 98033 USA
425-822-4434
FAX 425-822-8384 / info@inwusa.com

4620 Northgate Boulevard, Suite 170
Sacramento, CA 95834 USA
916-922-2900
FAX 916-648-7766 / inwsw@inwusa.com

1-800-PRO-WELL
WWW.INWUSA.COM

