

Level instruments

Continuous level measurement - Ultrasonic controllers

SITRANS LU SAM

Overview



SITRANS LU SAM Satellite Alarm Module provides up to 20 relay outputs for the measurement points of the SITRANS LU10 level monitor.

Benefits

- The SITRANS LU SAM can be located up to 1500 m (5000 ft) from the SITRANS LU10
- Relay outputs can be assigned to any point on the SITRANS LU10

Application

The operation of the SITRANS LU SAM is programmed via the SITRANS LU10. The only on-board settings are for bank selection and output testing.

Using a SITRANS LU SAM, you can have two relay outputs for all ten measurement points, all 20 for a single measurement point or any combination between the two.

All relays are Form C to allow NO or NC wiring.

Technical specifications

Mode of operation	Satellite alarm module
Input	
Communications	Data from SITRANS LU10
• Transmission rate	4800 bits/s
• Voltage	± 20 mA bipolar current loop
Output	
• Relays	20 multi-purpose relays, programmable from SITRANS LU10 SPDT Form C relays, rated 5 A at 250 V AC, resistive load
• ± 20 mA bipolar current loop - Max. load	Input and transmission 1 receiving unit
Rated operation conditions	
<u>Ambient conditions</u>	
• Ambient temperature	-20 to +50 °C (-5 to +122 °F)
• Location	Indoor/outdoor
• Installation category	II
• Pollution degree	4
Design	
• Weight	3 kg (6.6 lbs)
• Material (enclosure)	Polycarbonate
• Degree of protection	Type 4X/NEMA 4X/IP65
• Cable connection	2 copper conductors, twisted, with foil shield/drain wire, 300 V 0.5 to 0.75 mm ² (22 to 18 AWG)
• Electrical connection and relay connection	Copper conductor according to local requirements, rated 250 V 5 A
Power supply	100/115/200/230 V AC ± 15%, 50/60 Hz, 20 VA
Displays and controls	1 LED for display of voltage/communications state, 20 LEDs for display of relay states
Certificates and approvals	CE, FM, CSA _{US/C} , C-TICK

Selection and Ordering data

	Order No.
SITRANS LU SAM	C) 7ML5811-1A
Satellite alarm module provides up to 20 relay outputs for the measurement points of the SITRANS LU10 level monitor. Approvals: CSA _{US/C} , FM, CE, C-TICK	
Instruction manual	
English	C) 7ML1998-5CF02
German	C) 7ML1998-5CF32
Note: Instruction manuals should be ordered as a separate line item on the order.	
This device is shipped with the Siemens Milltronics manual CD containing the complete Quick Start and instruction manual library.	

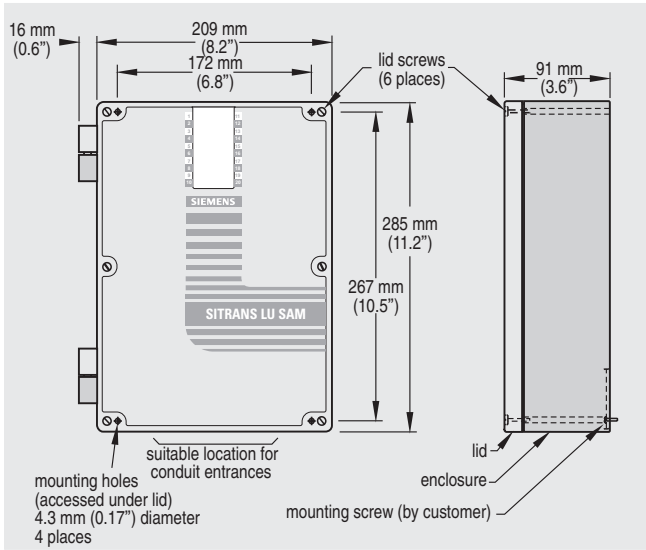
C) Subject to export regulations AL: N, ECCN: EAR99

Level instruments

Continuous level measurement - Ultrasonic controllers

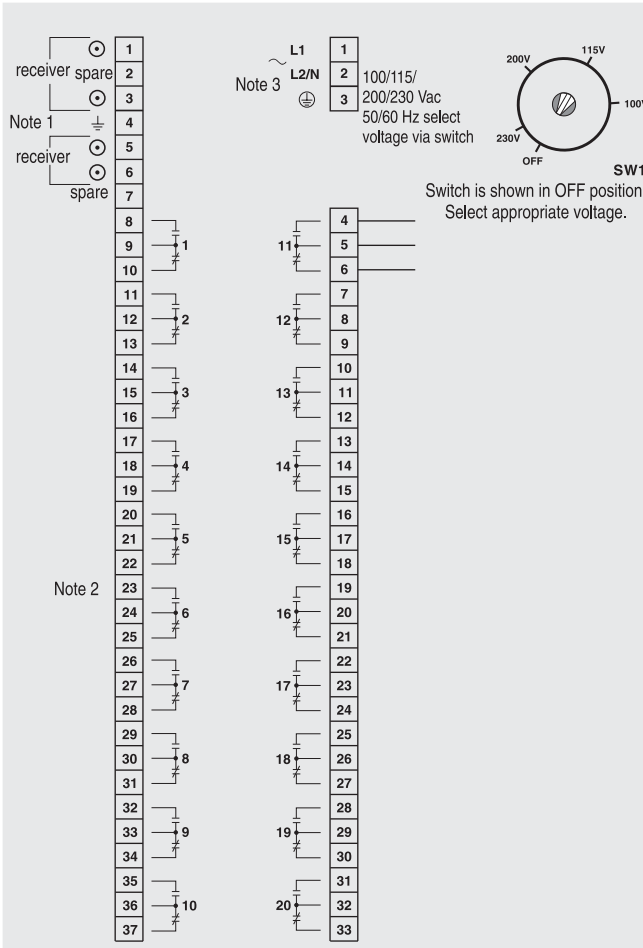
SITRANS LU SAM

Dimensional drawings



SITRANS LU SAM dimensions

Schematics



- Notes:**
1. SITRANS LU SAM receiver is polarized.
 2. Refer to associated application device instruction manual for wiring detail. Check that the communication parameter P740 (SITRANS LU10) is 'ON'.
 3. If SITRANS LU SAM is unpowered, transmitter ceases communication to all downstream peripherals.
 4. Relay contact Form 'C' SPDT, 5A at 250 V AC non-inductive (typical of up to 20 per SITRANS LU SAM).

SITRANS LU SAM connections

5