

Level instruments

Continuous level measurement - Ultrasonic controllers

SITRANS LUC500

Overview



SITRANS LUC500 is a complete ultrasonic level controller for monitoring and control of water distribution and wastewater collection systems, with energy-saving algorithms.

Benefits

- Monitoring and control in one device
- Integral telemetry interface (Modbus RTU/ASCII)
- Patented algorithm for calculation of pumped volume within 5% accuracy
- Logging of pump runtime and number of pump starts
- Expandable with I/Os, RAM for data logging, dual point, SmartLinx communications and RS-485 interface
- Simple system configuration and diagnostics with Siemens Dolphin Plus Windows[®]-based software
- AC or DC power supply
- SITRANS LUC500 is available for rack mount, panel mount or wall mount

Application

It combines non-contacting ultrasonic technology, patented echo-processing techniques and proven application software to provide accurate level monitoring in liquids up to 15 m (50 ft). It also effectively monitors flow in flumes, weirs and open channels. Five relays control any combination of pumps, gate valves and alarms. Further advantages include fault signalling and data logging for trend analysis. It can log the time, date and volume of up to 20 occurrences of combined sewer overflows (CSO).

The basic device has 8 digital inputs, 5 digital outputs, 1 analog input, 1 ultrasonic level point, differential/average capability and one RS-232 interface with Modbus[®] RTU/ASCII protocol. The device can be expanded by additional I/Os, more RAM, two channels, RS-485 or SmartLinx communications models as your needs grow.

It integrates seamlessly with SCADA or DCS systems or a PLC system to provide remote access to all system parameters (pumped volume, pump runtime, pump status). The integral telemetry interface (Modbus RTU/ASCII) allows remote control in real time.

- Key Applications: wet well/lift station control, weirs/flumes, open channels

Application of accessories

SITRANS LUC500 can be expanded to meet the requirements of a variety of applications.

Auxiliary I/O cards, RAM and data logging, dual-channel function and SmartLinx communications.

- Input/output cards
A single auxiliary I/O card can be installed in the SITRANS LUC500. The following I/O cards are available:
 - 2 analog inputs/2 analog outputs
 - 4 analog inputs
 - 4 analog outputs
 - 8 digital inputs
 - 8 digital inputs/2 analog inputs/2 analog outputs (wall mount only)
- Expanded memory card
The available RAM can be increased using this card. The data logging function is then available.
- Two-channel function
A second measuring point is provided on the SITRANS LUC500 to permit dual-channel measurements. This function is made available by ordering a software access code. Please contact your Siemens representative for details.
- Communications
The SITRANS LUC500 is offered with MODBUS RTU/ASCII as a standard feature. Further industrial communications protocols are available with the addition of an optional SmartLinx card. The following protocols are currently available:
 - PROFIBUS DP
 - Allen Bradley[®] Remote I/O
 - DeviceNet[™]

[®]Modbus is a registered trademark of Schneider Electric.

[®]Allen-Bradley is a registered trademark of Rockwell Automation.

[™]DeviceNet is a trademark of Open DeviceNet Vendor Association (ODVA)

Windows[®] is a registered trademark of Microsoft Corp.

Level instruments

Continuous level measurement - Ultrasonic controllers

SITRANS LUC500

Technical specifications

Mode of operation

Measuring principle	Ultrasonic level measurement
Measuring range	0.3 to 15 m (1 to 50 ft)
Measuring points	1 or 2

Output

Ultrasonic transducer	44 kHz
Relays	5 relays, rated 5 A at 250 V AC, non-inductive <ul style="list-style-type: none"> • Wall Mount version: 4 SPST Form A relays, 1 SPDT Form C relay • Rack and Panel Mount version: 4 SPST Form A relays, 1 SPST Form B relay

Accuracy

Error in measurement	0.25% of range or 6 mm (0.24"), whichever is greater
Resolution	0.1% of measuring range or 2 mm (0.08"), whichever is greater ¹⁾
Temperature compensation	-50 to +150 °C (-58 to +302 °F) <ul style="list-style-type: none"> • Integral temperature sensor • External TS-3 temperature sensor (optional) • Programmable fixed temperature

Rated operating conditions

Ambient conditions

Ambient temperature for enclosure	-20 to +50°C (-4 to +122 °F)
-----------------------------------	------------------------------

Design

• Rack mount	DIN 3 HU/21 pitch, 4-rail plug-in unit suitable for standard 3 HU/84 pitch (19") rack
• Panel mount	Suitable for standard panel cutout DIN 43700 72 x 144 mm, 110 mm (4.33") center height
Weight (rack and panel mount)	1.5 kg (3.3 lbs)
Weight (wall mount)	2.5 kg (5.5 lbs)

Communications

• RS-232	Siemens Dolphin protocol, MODBUS RTU and ASCII
• Option	SmartLinX compatible, RS-485

Power supply

	100 to 230 V AC ± 15%, 50/60 Hz, 36 VA (17 W) or 12 to 30 V DC, 20 W
Ultrasonic transducer	Compatible transducers: ST-H and Echomax [®] series XPS-10/10F, XPS 15/15F, XCT-8, XCT-12 and XRS-5
mA output signal	2-core copper conductor, twisted, shielded, 0.5 to 0.75 mm ² (22 to 18 AWG), Belden [®] 8760 or equivalent is acceptable

Displays and controls

• Rack and panel mount	75 x 20 mm (3 x 0.8") LCD (selectable backlighting)
• Wall mount	100 x 40 mm (4 x 1.5") multifield LCD, backlit

Programming

Using removable handheld programmer (ordered separately) or Dolphin Plus software (option)

Memory

1 Mbyte RAM (static) with battery, 1 Mbyte flash EPROM

Certificates and approvals

CE, FM, CSA

¹⁾ The measuring range corresponds to the distance from the zero point to the sensor face, plus any range extension (P801)

Level instruments

Continuous level measurement - Ultrasonic controllers

SITRANS LUC500

Selection and Ordering data	Order No.
SITRANS LUC500 A complete ultrasonic level controller for monitoring and control of water distribution and wastewater collection systems, with energy-saving algorithms.	L) 7ML5001- ■■■■■-■■■A■
Mounting	
Panel mount version	1
Rack mount version for 19" rack	2
Wall mount, standard enclosure	3
Wall, 4 entry, M20 (valid with approval option 3 only)	5
Input voltage	
100 to 230 V AC	A
12 to 30 V DC	B
Number of measurement points	
Single point version	A
Dual point version	B
Data communications	
SmartLinx ready, no module	0
SmartLinx PROFIBUS DP module	1
SmartLinx Allen-Bradley Remote I/O module	2
SmartLinx DeviceNet module	3
Protocol	
Modbus RTU/ASCII	1
Auxiliary memory	
None	0
1 Mbyte static RAM, including data logging module	1
Auxiliary I/O	
None	A
2 analog inputs and 2 analog outputs	B
4 analog inputs	C
4 analog outputs	D
8 digital inputs	E
8 digital inputs, 2 analog inputs and 2 analog outputs (only for wall mount)	F
Approvals	
CSA, CE, UL (not available with mounting option 5)	2
CE	3
Further designs	Order code
Please add "-Z" to Order No. and specify Order code(s).	
Stainless steel tag [69 x 50 mm (2.71 x 1.97")]: Measuring-point number/identification (max. 16 characters) specify in plain text	Y15
Instruction manual	Order No.
English	7ML1998-5GL01
German	7ML1998-5GL31
Note: The instruction manual should be ordered as a separate line on the order	
This device is shipped with the Siemens Milltronics manual CD containing the complete Quick Start and instruction manual library.	
Other Instruction manual	
Smartlinx Allen-Bradley Remote I/O, English	C) 7ML1998-1AP03
Smartlinx PROFIBUS DP, English	C) 7ML1998-1AQ03
Smartlinx PROFIBUS DP, German	C) 7ML1998-1AQ33
Smartlinx PROFIBUS DP, French	C) 7ML1998-1AQ12
Smartlinx Devicenet, English	C) 7ML1998-1BH02
Note: The appropriate Smartlinx instruction manual should be ordered as a separate line on the order	

Selection and Ordering data	Order No.
SITRANS LUC500 A complete ultrasonic level controller for monitoring and control of water distribution and wastewater collection systems, with energy-saving algorithms.	L) 7ML5001- ■■■■■-■■■A■
Optional Equipment	
Handheld programmer	7ML1830-2AG
ERS500 Configuration Tool software, CD, cable kit, B)	7ML1930-1AE
ERS500 Configuration Tool software, License only B)	7ML1930-1AF
ERS500 Configuration Tool software, demo CD only B)	7ML1930-1AG
See SmartLinx product page 5/301 for more information.	
Tag, stainless steel, 12 x 45 mm (0.47 x 1.77"), one text line, suitable for enclosures	7ML1930-1AC
SITRANS RD100 Remote display - see RD100 on page 5/304	
SITRANS RD200 Remote display - see RD200 on page 5/306	
Auxiliary Cards. Access code required ¹⁾	
1 MB static RAM extended memory	C) PBD-51034040
2 analog input / 2 analog output for rack and panel mount version	C) PBD-51034039
2 analog input / 2 analog output for wall mount version	C) PBD-51034044
8 digital input for rack and panel mount version	C) PBD-51034042
8 digital input for wall mount version	C) PBD-51034043
4 analog input for rack and panel mount version	C) PBD-51034045
4 analog input for wall mount version	C) PBD-51034046
4 analog output for rack and panel mount version	C) PBD-51034047
4 analog output for wall mount version	C) PBD-51034048
8 digital inputs, 2 analog inputs, 2 analog outputs, wall mount	C) PBD-51034272
Access code, dual point capability	C) 7ML1830-1KA
Auxiliary Cards²⁾	
1 MB static RAM extended memory	L) 7ML1830-1KR
2 analog input / 2 analog output for rack and panel mount version	C) 7ML1830-1KS
2 analog input / 2 analog output for wall mount version	C) 7ML1830-1KT
8 digital input for rack and panel mount version	C) 7ML1830-1KU
8 digital input for wall mount version	C) 7ML1830-1LA
4 analog input for rack and panel mount version	C) 7ML1830-1LB
4 analog input for wall mount version	C) 7ML1830-1LC
4 analog output for rack and panel mount version	C) 7ML1830-1LD
4 analog output for wall mount version	C) 7ML1830-1LE
8 digital inputs, 2 analog inputs, 2 analog outputs, wall mount	C) 7ML1830-1LF

¹⁾ Values of parameters P345 and P346 must be obtained from the customer in order to generate the order for the access code.

²⁾ For replacement of auxiliary card or spare auxiliary card. Access code not required. Must be used only as replacement cards.

B) Subject to export regulations AL: N, ECCN: EAR99S

C) Subject to export regulations AL: N, ECCN: EAR99

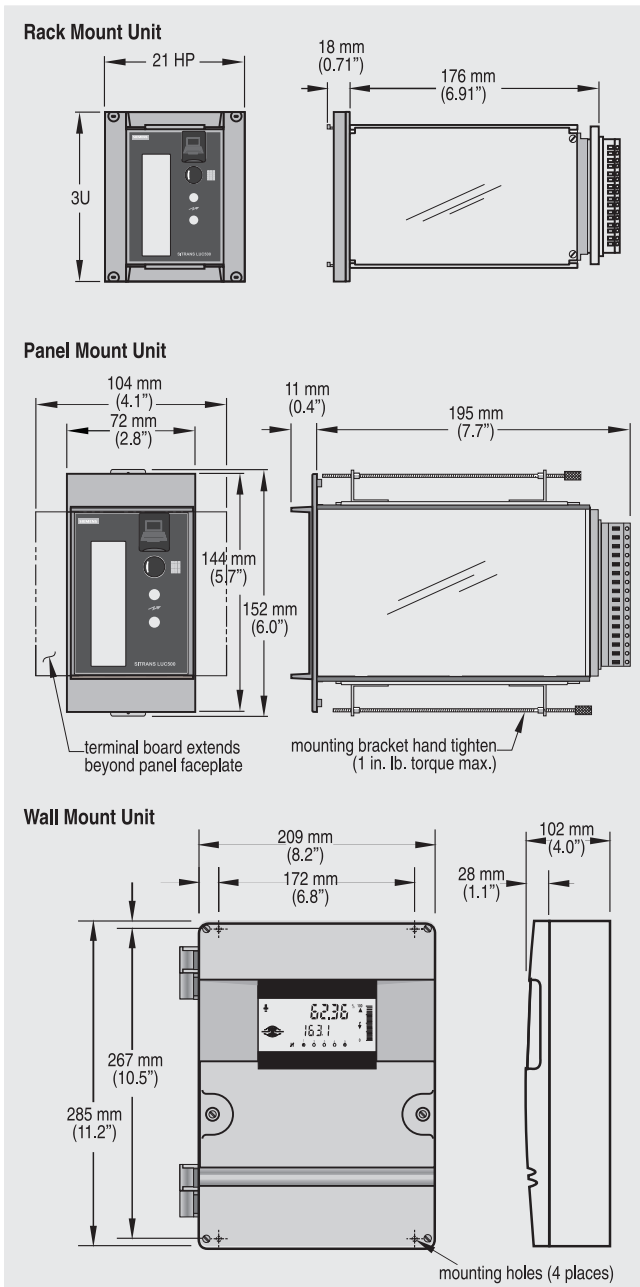
L) Subject to export regulations AL: N, ECCN: 3A991X

Level instruments

Continuous level measurement - Ultrasonic controllers

SITRANS LUC500

Dimensional drawings



SITRANS LUC500 dimensions

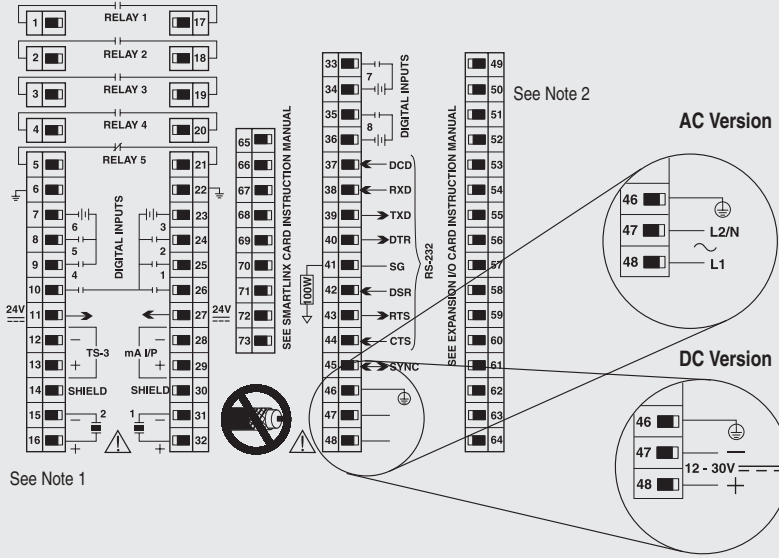
Level instruments

Continuous level measurement - Ultrasonic controllers

SITRANS LUC500

Schematics

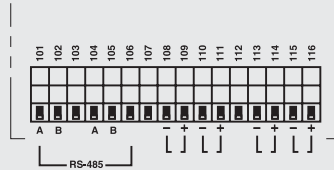
Rack and Panel Mount



- Notes**
1. Transducer uses 2 wire twisted pair with shield only.
 2. Terminals 49-64 are for use with optional expansion I/O cards.

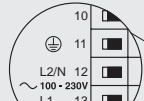
5

Wall Mount

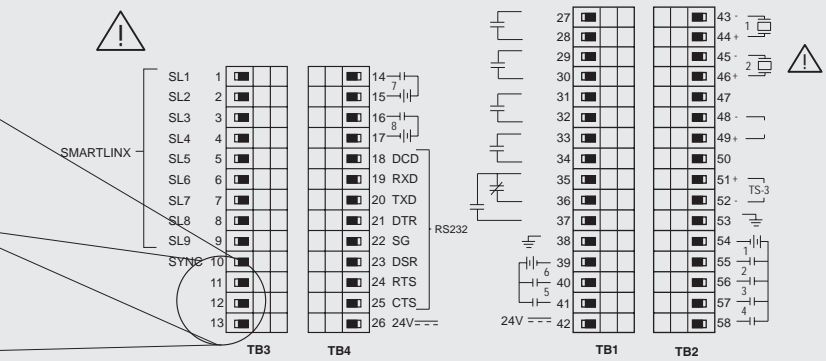
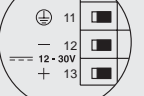


Optional mA Input card shown. Other expansion cards I/O available - see SITRANS LUC500 options list.

AC Version



DC Version



SITRANS LUC500 connections