

Level instruments

Continuous level measurement - Ultrasonic transducers

ST-H

Overview



ST-H transducers use ultrasonic technology to measure level in chemical storage and liquid tanks.

Benefits

- Can be mounted on a 2" (50.8 mm) standpipe
- Immune to corrosive and harsh environments
- Integral temperature sensor

Application

The narrow design of the ST-H allows the transducer to be mounted on a 2" (50.8 mm) standpipe. When mounted correctly, it is completely protected from the process and can even be used in harsh, corrosive environments.

During operation, the ultrasonic transducer emits acoustic pulses in a narrow beam perpendicular to the transducer face. The level transceiver measures the propagation time between pulse emission and reception of the echo to calculate the distance from the transducer to the material. Variations in sound velocity due to changes in temperature within the permissible range are automatically compensated by the integral temperature sensor.

- Key Applications: chemical storage, liquid tanks

Technical specifications

Mode of operation	
Measuring principle	Ultrasonic transducer
Input	
Measuring range	0.3 to 10 m (1 to 33 ft)
Output	
Frequency	44 kHz
Beam angle	12°
Accuracy	
Temperature compensation	Compensated by integral temperature sensor
Rated operating conditions	
Pressure	Normal atmospheric pressure
Ambient conditions	
• Ambient temperature	-20 to +60 °C (-5 to +140 °F) (ATEX approved model) -40 to +73 °C (-40 to +163 °F) (CSA/FM approved model)
Design	
Weight ¹⁾	1.4 kg (3 lbs)
Material (enclosure)	Base and lid made of ETFE or PVDF (epoxy fitted joint) ²⁾
Process connection	2" NPT [(Taper), ANSI/ASME B1.20.1], R 2" [(BSPT), EN 10226] or G 2" [(BSPP), EN ISO 228-1]
Degree of protection	IP68
Cable connection	2-core shielded/twisted, 0.519 mm ² (20 AWG), PVC sheath
Cable (max. length)	365 m (1200 ft) with RG 62 A/U coaxial cable
Options	
• Flange adapter	3" Universal (fits DN 65, PN 10 and 3" ASME)
• Submergence coupling	For maintaining high level readings while the transducer is submerged
Certificates and approvals	
CE ³⁾ , CSA Class I, II, III, Div. 1, Gr. A, B, C, D, E, F, G T3 (ETFE only), FM Class I, II, Div. 1, Gr. C, D, E, F, G T4A, ATEX II 2G EEx m IIC T5, C-TICK, INMETRO: Br-Ex m II T5	

¹⁾ Approximate shipping weight of transducer with standard cable length

²⁾ When measuring chemicals, check compatibility of ETFE or PVDF and epoxy, or mount joint external to process.

³⁾ EMC certificate available on request

5

Level instruments

Continuous level measurement - Ultrasonic transducers

ST-H

Selection and Ordering data	Order No.
Echomax® ST-H ultrasonic transducer Level measurement in chemical storage and liquid tanks The narrow design of the ST-H allows the transducer to be mounted on a 2" standpipe. Measuring range: min. 0.3 m (1 ft), max. 10 m (33 ft)	C) 7ML1100 - A 0
Process connection ETFE, 2" NPT [(Taper), ANSI/ASME B1.20.1] ETFE, R 2" [(BSPT), EN 10226] ETFE, G 2" [(BSPP), EN ISO 228-1] PVDF copolymer, 2" NPT [(Taper), ANSI/ASME B1.20.1] PVDF copolymer, R 2" [(BSPT), EN 10226] PVDF copolymer, G 2" [(BSPP), EN ISO 228-1]	0 1 2 3 4 5
Cable length 5 m (16.40 ft) 10 m (32.81 ft) 30 m (98.43 ft) 50 m (164.04 ft) 100 m (328.08 ft)	A B C D E
Approvals FM Class I, II, Div. 1, C-TICK ATEX II 2G, CSA, C-TICK, INMETRO ¹⁾ ATEX II 2G, C-TICK, INMETRO ²⁾	2 3 4
Instruction manual Quick Start Manual, multi-language Applications Guidelines, multi-language Note: The Applications Guidelines should be ordered as a separate line item on the order. This device is shipped with the Siemens Milltronics manual CD containing the complete ATEX Quick Start and instruction manual library.	C) 7ML1998-5QK82 C) 7ML1998-5HV61
Accessories ST-H universal submergence shield Universal box bracket, mounting kit 3" ASME, DN 65 PN 10, JIS 10K 3B ETFE flange adapter for 2" NPT 3" ASME, DN 65 PN 10, JIS 10K 3B ETFE flange adapter for 2" BSPT Easy Aimer 2, NPT with ¾" x 1" PVC coupling Easy Aimer 2, aluminum with M20 adapter and 1" and 1½" BSPT aluminum couplings Easy Aimer 304, with stainless steel coupling Easy Aimer 304, with M20 adapter and 1" and 1½" BSPT 304 SS couplings	7ML1830-1CF 7ML1830-1BK 7ML1830-1BT 7ML1830-1BU 7ML1830-1AQ 7ML1830-1AX 7ML1830-1AU 7ML1830-1GN

1) Available with Process connection options 0 to 2 only

2) Available with Process connection options 3 to 5 only

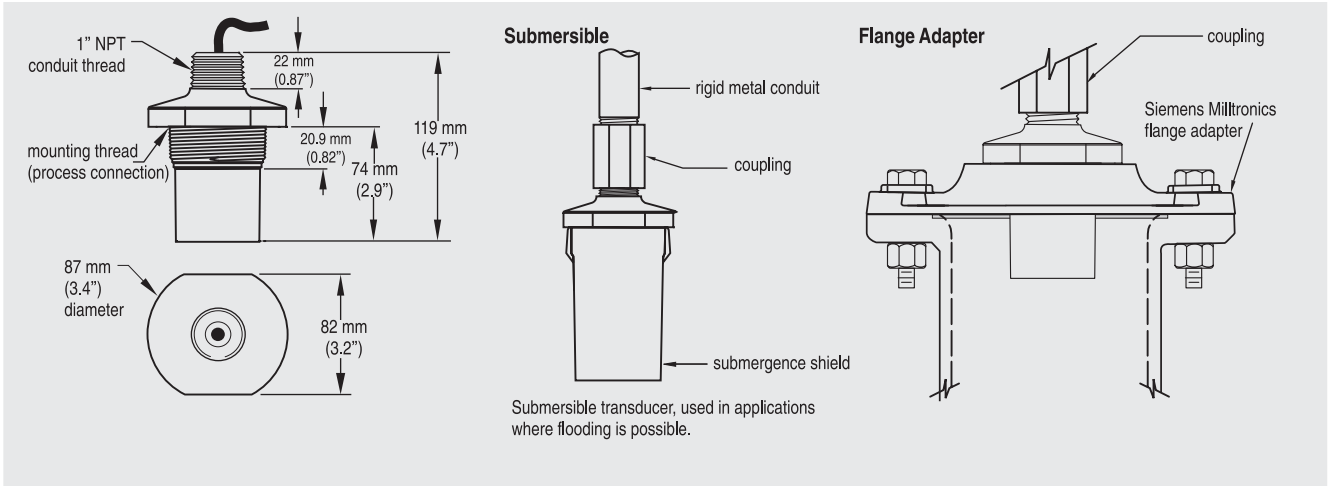
C) Subject to export regulations AL: N, ECCN: EAR99

Level instruments

Continuous level measurement - Ultrasonic transducers

ST-H

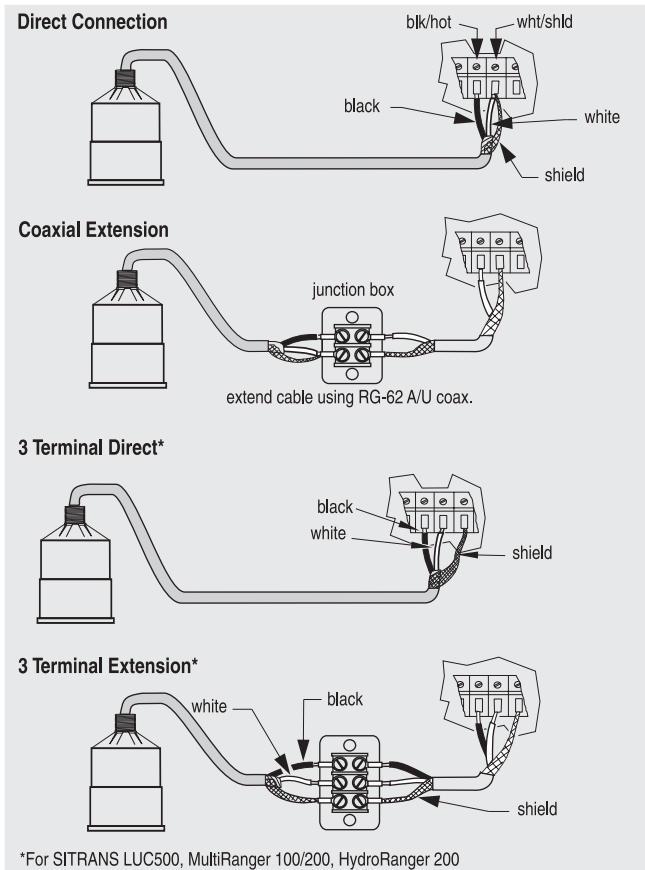
Dimensional drawings



ST-H ultrasonic transducer dimensions

5

Schematics



ST-H ultrasonic transducer connections