

# Level instruments

## Continuous level measurement - Ultrasonic transducers

### Echomax XPS and XCT

#### Overview



Echomax<sup>®</sup> XPS/XCT transducers use ultrasonic technology to measure level in a wide range of liquids and solids.

#### Benefits

- Integral temperature compensation
- Low ringing effect reduces blanking distance
- Optional foam facing for dusty applications
- Self-cleaning and low-maintenance
- Chemically resistant
- Hermetically sealed

#### Application

The transducers can be fully immersed, are resistant to steam and corrosive chemicals, and can be installed without flanges.

The XPS series offers versions for various measuring ranges up to 40 m (130 ft) and up to a max. temperature of +95 °C (+203 °F).

The XCT series can be used in applications at higher temperatures to measure level up to a distance of 12 m (40 ft) and at a max. temperature of +145 °C (+293 °F).

During operation, the Echomax transducers emit acoustic pulses in a narrow beam. The level monitor measures the propagation time between pulse emission and its reflection (echo) to calculate the distance.

# Level instruments

## Continuous level measurement - Ultrasonic transducers

Echomax XPS and XCT

### Technical specifications

Input	XPS-10 (standard and F models)	XPS-15 (standard and F models)	XPS-30	XPS-40	XCT-8 (standard and sanitary models)	XCT-12
Measuring range	0.3 to 10 m (1 to 33 ft)	<u>Standard:</u> 0.3 to 15 m (1 to 50 ft) <u>Flanged:</u> 0.45 to 15 m (1.5 to 50 ft)	0.6 to 30 m (2 to 100 ft)	0.9 to 40 m (3 to 130 ft)	0.6 to 8 m (2 to 26 ft)	0.6 to 12 m (2 to 40 ft)
<b>Output</b>						
Frequency	44 kHz	44 kHz	30 kHz	22 kHz	44 kHz	44 kHz
Beam angle	12°	6°	6°	6°	12°	6°
<b>Environmental</b>						
Location	Indoors/outdoors					
Ambient temperature	-20 to +95 °C (-4 to +203 °F)				<u>Standard:</u> -40 to +145 °C (-40 to +293 °F) <u>Sanitary:</u> -40 to +125 °C (-40 to +260 °F)	-40 to +145 °C (-40 to +293 °F)
Pollution degree	4					
Pressure	8 bar g (120 psi g) <u>Flanged:</u> 0.5 bar g (7.25 psi g)	8 bar g (120 psi g) <u>Flanged:</u> 0.5 bar g (7.25 psi g)	0.5 bar g (7.25 psi g) <u>Flanged:</u> 0.5 bar g (7.25 psi g)	0.5 bar g (7.25 psi g)	<u>Standard:</u> 4 bar g (60 psi g): -40 to +138 °C (-40 to +280 °F) <u>Standard:</u> 8 bar g (120 psi g): -40 to +95 °C (-40 to +203 °F) <u>Flanged:</u> 0.5 bar g (7.25 psi g) <u>Sanitary:</u> XCT-8: 0.5 bar g (7.25 psi g)	
<b>Design</b>						
Weight	0.8 kg (1.8 lbs)	1.3 kg (2.8 lbs) <u>Flanged:</u> 2 kg (4.4 lbs)	4.3 kg (9.5 lbs)	8 kg (18 lbs)	0.8 kg (1.7 lbs)	1.3 kg (2.8 lbs)
Power supply	Operation of transducer only with approved Siemens Milltronics controllers					
Material	<u>Standard:</u> PVDF <u>Flanged:</u> PVDF with CPVC flange <u>Option:</u> PTFE face with CPVC flange	<u>Standard:</u> PVDF <u>Flanged:</u> PVDF with CPVC flange <u>Option:</u> PTFE face with CPVC flange	<u>Standard:</u> PVDF <u>Flanged:</u> PVDF with CPVC flange <u>Option:</u> PTFE face with CPVC flange	PVDF	<u>Standard:</u> PVDF <u>Options:</u> DERAKANE® flange; PTFE face with universal PVDF flange	
Color	<u>Standard:</u> blue <u>F:</u> gray	<u>Standard:</u> blue <u>F:</u> gray	blue	blue	white	
Process connection	<u>Standard:</u> 1" NPT or 1" BSPT <u>F:</u> 1" NPT	<u>Standard:</u> 1" NPT or 1" BSPT <u>F:</u> 1" NPT	1.5" universal thread (NPT or BSPT)		1" NPT or R 1" (BSPT), EN 10226	
Degree of protection	IP65/IP67	IP65/IP67	IP65/IP67	IP65/IP67	IP65/IP67	IP65/IP67
Cable	2 wire twisted pair/braided and foil shielded 0.5 mm <sup>2</sup> (20 AWG) PVC jacket				2 wire twisted pair/braided and foil shielded 0.5 mm <sup>2</sup> (20 AWG) silicone jacket	
Separation	Max. 365 m (1200 ft)					
<b>Certificates and approvals</b>	<u>Standard:</u> CE <sup>1)</sup> , CSA, FM, ATEX II 2GD <u>F:</u> FM Class I, Div 1, Groups A, B, C and D, Class II Div 1, Groups E, F and G, Class III	<u>Standard:</u> CE <sup>1)</sup> , CSA, FM, ATEX II 2GD <u>F:</u> FM Class I, Div 1, Groups A, B, C and D, Class II Div 1, Groups E, F and G, Class III	CE <sup>1)</sup> , CSA, FM, ATEX II 2G 1D	CE <sup>1)</sup> , CSA, FM, ATEX II 2G 1D	<u>Standard:</u> CE <sup>1)</sup> , CSA, FM, ATEX II 2G <u>Sanitary:</u> CE, C-TICK, CSA <sub>US/C</sub>	CE <sup>1)</sup> , CSA, FM, ATEX II 2G

<sup>1)</sup> EMC certificate available on request.

® DERAKANE is a registered trademark of Ashland Inc.

# Level instruments

## Continuous level measurement - Ultrasonic transducers

### Echomax XPS and XCT

Selection and Ordering data	Order No.
<b>Echomax® XPS-10 ultrasonic transducer</b>	C) 7ML1115-0
High-frequency ultrasonic transducer designed for a wide variety of liquid and solid applications, for use with approved controllers. Includes integral temperature sensor. Measuring range: min. 0.3 m, max. 10 m	
<b>Mounting thread and facing</b>	
1" NPT [(Taper), ANSI/ASME B1.20.1]	0
1" NPT [(Taper), ANSI/ASME B1.20.1] with foam facing <sup>1)</sup>	1
1" NPT [(Taper), ANSI/ASME B1.20.1] with PTFE facing <sup>2)</sup>	2
R 1" [(BSPT), EN 10226]	3
R 1" [(BSPT), EN 10226] with foam facing <sup>1)</sup>	4
R 1" [(BSPT), EN 10226] with PTFE facing <sup>2)</sup>	5
<b>Cable length</b>	
5 m (16.40 ft)	B
10 m (32.81 ft)	C
30 m (98.43 ft)	E
50 m (164.04 ft)	F
100 m (328.08 ft)	K
<b>Mounting flange</b>	
None	A
3" ASME, 150 lb, flat faced	C
4" ASME, 150 lb, flat faced	D
6" ASME, 150 lb, flat faced	E
8" ASME, 150 lb, flat faced	F
DN 80, PN 10/16, Type A, flat faced	G
DN 100, PN 10/16, Type A, flat faced	J
DN 150, PN 10/16, Type A, flat faced	L
JIS10K3B Style	M
JIS10K4B Style	P
JIS10K6B Style	R
(Note: Flange bolting patterns and facings dimensionally correspond to the applicable ASME B16.5 or EN 1092-1, or JIS B 2220 standard.)	
<b>Approvals</b>	
ATEX II 2 GD, FM Class I Div. 2, SAA Class I	3
CSA Class I Div. 1 <sup>3)</sup>	4
<b>Further designs</b>	Order code
Please add <b>"-Z"</b> to Order No. and specify Order code(s).	
Stainless steel tag [69 x 50 mm (2.71 x 1.97")]: Measuring-point number/identification (max. 16 characters) specify in plain text	Y15

Selection and Ordering data	Order No.
<b>Echomax® XPS-10 ultrasonic transducer</b>	C) 7ML1115-0
High-frequency ultrasonic transducer designed for a wide variety of liquid and solid applications, for use with approved controllers. Includes integral temperature sensor. Measuring range: min. 0.3 m, max. 10 m	
<b>Operating Instructions</b>	
Quick Start guide, multi-language	C) 7ML1998-5QM82
Applications Guidelines, multi-language	C) 7ML1998-5HV61
Note: The Applications Guidelines should be ordered as a separate line item on the order.	
This device is shipped with the Siemens Milltronics manual CD containing the complete ATEX Quick Start and Operating Instructions library.	
<b>Accessories</b>	
Tag, stainless steel with hole, 12 x 45 mm (0.47 x 1.77"), one text line for fastening on sensors	7ML1930-1BJ
Submergence shield kit	7ML1830-1BH
Easy Aimer 2, with ¾" x 1" NPT PVC coupling	7ML1830-1AQ
Easy Aimer 2, aluminum with M20 adapter and 1" and 1½" BSPT aluminum couplings	7ML1830-1AX
Easy Aimer 304, with stainless steel coupling	7ML1830-1AU
Easy Aimer 304, with M20 adapter and 1" and 1½" BSPT 304 SS couplings	7ML1830-1GN
Universal box bracket, mounting kit	7ML1830-1BK
Channel bracket, wall mount	7ML1830-1BL
Extended channel bracket, wall mount	7ML1830-1BM
Channel bracket, floor mount	7ML1830-1BN
Extended channel bracket, floor mount	7ML1830-1BP
Bridge channel bracket, floor mount (see Mounting Brackets on page 5/185 for more information)	7ML1830-1BQ
1" NPT locknut, plastic	7ML1830-1DS
1" BSPT locknut, plastic	7ML1830-1DR

- 1) Not available with flanged versions  
 2) Available with flanged versions only  
 3) Valid with mounting thread and facing options 0 to 2 only

C) Subject to export regulations AL: N, ECCN: EAR99

# Level instruments

## Continuous level measurement - Ultrasonic transducers

Echomax XPS and XCT

5

Selection and Ordering data	Order No.
<b>Echomax® XPS-10F ultrasonic transducer</b> High-frequency ultrasonic transducer designed for a wide variety of liquid and solid applications, for use with approved controllers. Includes integral temperature sensor. Measuring range: min. 0.3 m, max.10 m	C) <b>7ML1170-0</b>
<b>Mounting thread and facing</b> 1" NPT [(Taper), ANSI/ASME B1.20.1]	1
<b>Cable length</b> 5 m (16.40 ft) 10 m (32.81 ft) 30 m (98.43 ft) 50 m (164.04 ft) 100 m (328.08 ft)	B C D E F
<b>Mounting flange, flush mount</b> None 3" ASME, 150 lb, flat faced 4" ASME, 150 lb, flat faced 6" ASME, 150 lb, flat faced 8" ASME, 150 lb, flat faced (Note: Flange bolting patterns and facings dimensionally correspond to the applicable ASME B16.5, or EN 1092-1, or JIS B 2220 standard.)	A B C D E
<b>Approvals</b> FM Class I Div. 1	1
<b>Further designs</b> Please add "-Z" to Order No. and specify Order code(s).	Order code
Stainless steel tag [69 x 50 mm (2.71 x 1.97")]: Measuring-point number/identification (max. 16 characters); specify in plain text	<b>Y15</b>
<b>Operating Instructions</b> English Note: The Operating Instructions should be ordered as a separate line item on the order. Applications Guidelines, multi-language Note: The Applications Guidelines should be ordered as a separate line item on the order. This device is shipped with the Siemens Milltronics manual CD containing the complete ATEX Quick Start and Operating Instructions library.	Order No. C) <b>7ML1998-1DU01</b> C) <b>7ML1998-5HV61</b>
<b>Accessories</b> Tag, stainless steel with hole, 12 x 45 mm (0.47 x 1.77"), one text line for fastening on sensors Submergence shield kit Easy Aimer 2, with ¾" x 1" NPT PVC coupling Easy Aimer 304, with stainless steel coupling Universal box bracket, mounting kit Channel bracket, wall mount Extended channel bracket, wall mount Channel bracket, floor mount Extended channel bracket, floor mount Bridge channel bracket, floor mount (see Mounting Brackets on page 5/185 for more information) 1" NPT locknut, plastic	<b>7ML1930-1BJ</b> <b>7ML1830-1BH</b> <b>7ML1830-1AQ</b> <b>7ML1830-1AU</b> <b>7ML1830-1BK</b> <b>7ML1830-1BL</b> <b>7ML1830-1BM</b> <b>7ML1830-1BN</b> <b>7ML1830-1BP</b> <b>7ML1830-1BQ</b> <b>7ML1830-1DS</b>

C) Subject to export regulations AL: N, ECCN: EAR99

# Level instruments

## Continuous level measurement - Ultrasonic transducers

### Echomax XPS and XCT

#### Selection and Ordering data

**Echomax® XPS-15 ultrasonic transducer** C) **7ML1118 -**

High-frequency ultrasonic transducer designed for a wide variety of liquid and solid applications, for use with approved controllers. Includes integral temperature sensor.  
Measuring range: min. 0.3 m, max. 15 m

#### Mounting thread and facing

1" NPT [(Taper), ANSI/ASME B1.20.1] **0**  
 1" NPT [(Taper), ANSI/ASME B1.20.1] with foam facing<sup>1)</sup> **1**  
 1" NPT [(Taper), ANSI/ASME B1.20.1] with PTFE facing<sup>2)</sup> **2**  
 R 1" [(BSPT), EN 10226] **3**  
 R 1" [(BSPT), EN 10226] with foam facing<sup>1)</sup> **4**  
 R 1" [(BSPT), EN 10226] with PTFE facing<sup>2)</sup> **5**

#### Cable length

5 m (16.40 ft) **B**  
 10 m (32.81 ft) **C**  
 30 m (98.43 ft) **E**  
 50 m (164.04 ft) **F**  
 100 m (328.08 ft) **K**

#### Mounting flange

None **A**  
 6" ASME, 150 lb, flat faced **D**  
 8" ASME, 150 lb, flat faced **E**  
 DN 150, PN 10/16, Type A, flat faced **J**  
 DN 200, PN 10/16, Type A, flat faced **K**  
 JIS10K 6B **N**  
 JIS10K 8B **P**  
 (Note: Flange bolting patterns and facings dimensionally correspond to the applicable ASME B16.5 or EN 1092-1, or JIS B 2220 standard.)

#### Approvals

ATEX II 2GD, FM Class I Div. 2, SAA Class I  
 CSA Class I Div. 1<sup>3)</sup> **3**  
**4**

#### Further designs

Please add **"-Z"** to Order No. and specify Order code(s).

Stainless steel tag [69 x 50 mm (2.71 x 1.97")]:  
 Measuring-point number/identification (max. 16 characters); specify in plain text **Y15**

Order No.

#### Selection and Ordering data

**Operating Instructions**

Quick Start Manual, multi-language C) **7ML1998-5QM82**  
 Applications Guidelines, multi-language C) **7ML1998-5HV61**  
 Note: The Applications Guidelines should be ordered as a separate line item on the order.

This device is shipped with the ATEX Siemens Milltronics manual CD containing the complete Quick Start and Operating Instructions library.

#### Accessories

Tag, stainless steel with hole, 12 x 45 mm (0.47 x 1.77"), one text line for fastening on sensors **7ML1930-1BJ**

Submergence shield kit **7ML1830-1BJ**  
 Universal box bracket, mounting kit **7ML1830-1BK**  
 Channel bracket, wall mount **7ML1830-1BL**

Extended channel bracket, wall mount **7ML1830-1BM**  
 Channel bracket, floor mount **7ML1830-1BN**  
 Extended channel bracket, floor mount **7ML1830-1BP**  
 Bridge channel bracket, floor mount **7ML1830-1BQ**

(see Mounting Brackets on page 5/185 for more information)

1" NPT locknut, plastic **7ML1830-1DS**  
 1" BSPT locknut, plastic **7ML1830-1DR**

Easy Aimer 2, with ¾" x 1" NPT PVC coupling **7ML1830-1AQ**  
 Easy Aimer 2, aluminum with M20 adapter and 1" and 1½" BSPT aluminum couplings **7ML1830-1AX**

Easy Aimer 304 with stainless steel coupling **7ML1830-1AU**  
 Easy Aimer 304, with M20 adapter and 1" and 1½" BSPT 304 SS couplings **7ML1830-1GN**

1) Not available with flanged versions

2) Available with flanged versions only

3) Available with mounting options 0 to 2 only

C) Subject to export regulations AL: N, ECCN: EAR99

# Level instruments

## Continuous level measurement - Ultrasonic transducers

Echomax XPS and XCT

Selection and Ordering data	Order No.
<b>Echomax® XPS-15F ultrasonic transducer</b> High-frequency ultrasonic transducer designed for a wide variety of liquid and solid applications, for use with approved controllers. Includes integral temperature sensor. Measuring range: min. 0.3 m, max. 15m	C) <b>7ML 1171 -</b> 
<b>Mounting thread and facing</b>	1
<b>Cable length</b>	B C D E F
5 m (16.40 ft) 10 m (32.81 ft) 30 m (98.43 ft) 50 m (164.04 ft) 100 m (328.08 ft)	
<b>Mounting flange, flush mount</b>	A B C
None 6" ASME, 150 lb, flat faced 8" ASME, 150 lb, flat faced (Note: Flange bolting patterns and facings dimensionally correspond to the applicable ASME B16.5, or EN 1092-1, or JIS B 2220 standard.)	
<b>Approvals</b>	1
FM Class I Div. 1	
<b>Further designs</b>	Order code
Please add <b>"-Z"</b> to Order No. and specify Order code(s).	
Stainless steel tag [69 x 50 mm (2.71 x 1.97")]: Measuring-point number/identification (max. 16 characters); specify in plain text	<b>Y15</b>
<b>Operating Instructions</b>	Order No.
English Note: The Operating Instructions should be ordered as a separate line item on the order.	C) <b>7ML1998-1DU01</b>
Applications Guidelines, multi-language Note: The Applications Guidelines should be ordered as a separate line item on the order.	C) <b>7ML1998-5HV61</b>
This device is shipped with the Siemens Milltronics manual CD containing the complete Quick Start and Operating Instructions library.	
<b>Accessories</b>	Order No.
Tag, stainless steel with hole, 12 x 45 mm (0.47 x 1.77"), one text line for fastening on sensors	<b>7ML1930-1BJ</b>
Submergence shield kit	<b>7ML1830-1BJ</b>
Universal box bracket, mounting kit	<b>7ML1830-1BK</b>
Channel bracket, wall mount	<b>7ML1830-1BL</b>
Extended channel bracket, wall mount	<b>7ML1830-1BM</b>
Channel bracket, floor mount	<b>7ML1830-1BN</b>
Extended channel bracket, floor mount	<b>7ML1830-1BP</b>
Bridge channel bracket, floor mount (see Mounting Brackets on page 5/185 for more information)	<b>7ML1830-1BQ</b>
1" NPT locknut, plastic	<b>7ML1830-1DS</b>
Easy Aimer 2, with ¾" x 1" NPT PVC coupling	<b>7ML1830-1AQ</b>
Easy Aimer 304 with stainless steel coupling	<b>7ML1830-1AU</b>

Selection and Ordering data	Order No.
<b>Echomax® XPS-30 ultrasonic transducer</b> High-frequency ultrasonic transducer designed for a wide variety of liquid and solid applications, for use with approved controllers. Includes integral temperature sensor. 1½" universal thread compatible with 1½" NPT and R 1½" [(BSPT), EN 10226] Measuring range: min. 0.6 m (1.97 ft), max. 30 m (98.43 ft)	C) <b>7ML 1123 -</b> 
<b>Mounting thread and facing</b>	0 1 2
1½" universal thread 1½" universal thread, foam facing <sup>1)</sup> 1½" universal thread, PTFE facing <sup>2)</sup>	
<b>Cable length</b>	B C E F K
5 m (16.40 ft) 10 m (32.81 ft) 30 m (98.43 ft) 50 m (164.04 ft) 100 m (328.08 ft)	
<b>Mounting flange</b>	A D E J K N P
None 6" ASME, 150 lb, flat faced 8" ASME, 150 lb, flat faced DN 150, PN 10/16, Type A, flat faced DN 200, PN 10/16, Type A, flat faced	
JIS10K 6B JIS10K 8B (Note: Flange bolting patterns and facings dimensionally correspond to the applicable ASME B16.5 or EN 1092-1, or JIS B 2220 standard.)	
<b>Approvals</b>	5
ATEX II 2G 1D, FM Class I Div 2, SAA	
<b>Further designs</b>	Order code
Please add <b>"-Z"</b> to Order No. and specify Order code(s).	
Stainless steel tag [69 x 50 mm (2.71 x 1.97")]: Measuring-point number/identification (max. 16 characters) specify in plain text	<b>Y15</b>
<b>Operating Instructions</b>	Order No.
Quick Start Manual, multi-language	C) <b>7ML1998-5QM82</b>
Applications Guidelines, multi-language Note: The Applications Guidelines should be ordered as a separate line item on the order.	C) <b>7ML1998-5HV61</b>
This device is shipped with the Siemens Milltronics manual CD containing the complete ATEX Quick Start and Operating Instructions library.	
<b>Accessories</b>	Order No.
Tag, stainless steel with hole, 12 x 45 mm (0.47 x 1.77"), one text line for fastening on sensors	<b>7ML1930-1BJ</b>
1½" BSPT locknut, plastic	<b>7ML1830-1DP</b>
Easy Aimer 2, 1½" NPT galvanized coupling	<b>7ML1830-1AN</b>
Easy Aimer 2, 1½" NPT with stainless steel coupling	<b>7ML1830-1AT</b>
Easy Aimer 2, aluminum with M20 adapter and 1" and 1½" BSPT aluminum couplings	<b>7ML1830-1AX</b>
Easy Aimer 304, with M20 adapter and 1" and 1½" BSPT 304 SS couplings	<b>7ML1830-1GN</b>


1) Not available with flanged versions  
 2) Available with flanged versions only

C) Subject to export regulations AL: N, ECCN: EAR99

# Level instruments

## Continuous level measurement - Ultrasonic transducers

### Echomax XPS and XCT

Selection and Ordering data	Order No.
<b>Echomax® XPS-40 ultrasonic transducer</b> High-frequency ultrasonic transducer designed for a wide variety of liquid and solid applications, for use with approved controllers. Includes integral temperature sensor. 1½" universal thread compatible with 1½" NPT and R 1½" [(BSPT), EN 10226] Measuring range: min. 0.9 m (2.95 ft), max. 40 m (131.23 ft)	C) <b>7ML1127-</b> 
<b>Mounting thread and facing</b> 1½" universal thread 1½" universal thread, foam facing	0 1
<b>Cable length</b> 5 m (16.40 ft) 10 m (32.81 ft) 30 m (98.43 ft) 50 m (164.04 ft) 100 m (328.08 ft)	B C E F K
<b>Mounting flange</b> None	A
<b>Approvals</b> ATEX II 2G 1D, FM Class I Div 2, SAA	5
<b>Further designs</b> Please add <b>"-Z"</b> to Order No. and specify Order code(s).	Order code
Stainless steel tag [69 x 50 mm (2.71 x 1.97")]: Measuring-point number/identification (max. 16 characters) specify in plain text	<b>Y15</b>
<b>Operating Instructions</b> Quick Start Manual, multi-language Applications Guidelines, multi-language Note: The Applications Guidelines should be ordered as a separate line item on the order. This device is shipped with the Siemens Milltronics manual CD containing the complete ATEX Quick Start and Operating Instructions library.	Order No. C) <b>7ML1998-5QM82</b> C) <b>7ML1998-5HV61</b>
<b>Accessories</b> Tag, stainless steel with hole, 12 x 45 mm (0.47 x 1.77"), one text line for fastening on sensors 1½" BSPT locknut, plastic Easy Aimer 2, 1½" NPT galvanized coupling Easy Aimer 2, 1½" NPT with stainless steel coupling Easy Aimer 2, aluminum with M20 adapter and 1" and 1½" BSPT aluminum couplings Easy Aimer 304, with M20 adapter and 1" and 1½" BSPT 304 SS couplings	<b>7ML1930-1BJ</b> <b>7ML1830-1DP</b> <b>7ML1830-1AN</b> <b>7ML1830-1AT</b> <b>7ML1830-1AX</b> <b>7ML1830-1GN</b>

C) Subject to export regulations AL: N, ECCN: EAR99

# Level instruments

## Continuous level measurement - Ultrasonic transducers

Echomax XPS and XCT

Selection and Ordering data	Order No.
<b>Echomax® XCT-8 ultrasonic transducer</b> High-frequency ultrasonic transducer designed for a wide variety of liquid and solid applications, for use with approved controllers. Includes integral temperature sensor. Ambient temperatures up to +145 °C (+293 °F) Measuring range: min. 0.6 m (2 ft), max. 8 m (26 ft)	C) <b>7ML1132-0</b>
<b>Mounting thread and facing</b> 1" NPT [(Taper), ANSI/ASME B1.20.1] 0 1" NPT [(Taper), ANSI/ASME B1.20.1], PTFE facing <sup>1)</sup> 1 R 1" [(BSPT), EN 10226] 2 R 1" [(BSPT), EN 10226], PTFE facing <sup>1)</sup> 3	
<b>Cable length</b> 1 m (3.28 ft) A 5 m (16.40 ft) B 10 m (32.81 ft) C 30 m (98.43 ft) E 50 m (164.04 ft) F 100 m (328.08 ft) K	
<b>Mounting flange</b> None A 3" ASME, 150 lb, flat faced C 4" ASME, 150 lb, flat faced D 6" ASME, 150 lb, flat faced E DN 80, PN 10/16, Type A, flat faced G DN 100, PN 10/16, Type A, flat faced J DN 150, PN 10/16, Type A, flat faced L JIS10K 3B M JIS10K 4B P JIS10K 6B R (Note: Flange bolting patterns and facings dimensionally correspond to the applicable ASME B16.5 or EN 1092-1 or JIS B 2220 standard.) 3" universal <sup>2)</sup> S 4" universal <sup>3)</sup> T 6" universal <sup>4)</sup> U 4" sanitary flange <sup>5)</sup> V	
<b>Approvals</b> ATEX II 2G, FM Class I, Div. 2, SAA 4 CSA Class I Div. 1, available with mounting thread and facing option 0 5 CE, C-TICK, CSA, FM <sup>6)</sup> 7	
<b>Further designs</b> Please add <b>"-Z"</b> to Order No. and specify Order code(s). Order code	
Stainless steel tag [69 x 50 mm (2.71 x 1.97")]: Measuring-point number/identification (max. 16 characters) specify in plain text	<b>Y15</b>

Selection and Ordering data	Order No.
<b>Echomax® XCT-8 ultrasonic transducer</b> High-frequency ultrasonic transducer designed for a wide variety of liquid and solid applications, for use with approved controllers. Includes integral temperature sensor. Ambient temperatures up to +145 °C (+293 °F) Measuring range: min. 0.6 m (2 ft), max. 8 m (26 ft)	C) <b>7ML1132-0</b>
<b>Operating Instructions</b> Quick start manual, multi-language C) <b>7ML1998-5QM82</b> XCT-8 with Sanitary Flange, multi-language C) <b>7ML1998-5HX61</b> Note: This manual should be ordered as a separate line item with Mounting Option V. Applications Guidelines, multi-language C) <b>7ML1998-5HV61</b> Note: The Applications Guidelines should be ordered as a separate line item on the order. This device is shipped with the Siemens Milltronics manual CD containing the complete ATEX Quick Start and Operating Instructions library.	
<b>Accessories</b> Tag, stainless steel with hole, 12 x 45 mm (0.47 x 1.77"), one text line for fastening on sensors <b>7ML1930-1BJ</b> Submersible hood <b>7ML1830-1BH</b> Universal box bracket, mounting kit <b>7ML1830-1BK</b> Channel bracket, wall mount <b>7ML1830-1BL</b> Extended channel bracket, wall mount <b>7ML1830-1BM</b> Channel bracket, floor mount <b>7ML1830-1BN</b> Extended channel bracket, floor mount <b>7ML1830-1BP</b> Bridge channel bracket, floor mount (see Mounting Brackets on page 5/185 for more information) <b>7ML1830-1BQ</b> 1" NPT locknut, plastic <b>7ML1830-1DS</b> 1" BSPT locknut, plastic <b>7ML1830-1DR</b> Easy Aimer 304 with stainless steel coupling <b>7ML1830-1AU</b> Easy Aimer, aluminum, with M20 adapter and ¾ to 1" and 1½" BSPT couplings <b>7ML1830-1AX</b> Easy Aimer 304, with M20 adapter and 1" and 1½" BSPT 304 SS couplings <b>7ML1830-1GN</b> Sanitary, 4" mounting clamp <b>7ML1830-1BR</b> Sanitary, isolating gasket J) <b>7ML1830-1KC</b>	
1) Available with flange versions S to V only 2) Universal fits 3" ASME, DN 80, JIS 10K3B style 3) Universal fits 4" ASME, DN 100, JIS 10K4B style 4) Universal fits 6" ASME, DN 150, JIS 10K6B style 5) Available with Mounting thread and facing options 1 and 3, and approval option 7 only 6) Available with Mounting flange option V only C) Subject to export regulations AL: N, ECCN: EAR99 J) Subject to export regulations AL: 91999, ECCN: EAR99	



# Level instruments

## Continuous level measurement - Ultrasonic transducers

### Echomax XPS and XCT

#### Selection and Ordering data

Order No.

##### Echomax® XCT-12 ultrasonic transducer

C) 7ML1136-

High-frequency ultrasonic transducer designed for a wide variety of liquid and solid applications, for use with approved controllers. Includes integral temperature sensor.

Ambient temperatures up to +145 °C (+293 °F)  
Measuring range: min. 0.6 m (2 ft), max. 12 m (40 ft)

#### Mounting thread and facing

1" NPT [(Taper), ANSI/ASME B1.20.1] 0  
1" NPT [(Taper), ANSI/ASME B1.20.1], PTFE facing, available for flange options U only<sup>1)</sup> 1

R 1" [(BSPT), EN 10226] 2  
R 1" [(BSPT), EN 10226], PTFE facing, available for flange options U only<sup>1)</sup> 3

#### Cable length

1 m (3.28 ft) A  
5 m (16.40 ft) B  
10 m (32.81 ft) C  
30 m (98.43 ft) E  
50 m (164.04 ft) F  
100 m (328.08 ft) K

#### Mounting flange

None A  
6" ASME, 150 lb, flat faced D  
8" ASME, 150 lb, flat faced E  
DN 150, PN 10/16, Type A, flat faced J  
DN 200, PN 10/16, Type A, flat faced K

JIS10K 6B N  
JIS10K 8B P  
(Note: Flange bolting patterns and facings dimensionally correspond to the applicable ASME B16.5 or EN 1092-1 or JIS B 2220 standard.)  
6" universal for 6" ASME, DN 150 or JIS 10K6B style U

#### Approvals

ATEX II 2G, FM Class I, Div. 2, SAA 3  
CSA Class I, Div. 1, available with mounting thread and facing option 0 only 4

#### Further designs

Order code

Please add "-Z" to Order No. and specify Order code(s).

Stainless steel tag [69 x 50 mm (2.71 x 1.97")]:  
Measuring-point number/identification  
(max. 16 characters) specify in plain text Y15

#### Instruction manual

Order No.

Quick Start Manual, multi-language C) 7ML1998-5QM82  
Applications Guidelines, multi-language C) 7ML1998-5HV61  
Note: The Applications Guidelines should be ordered as a separate line item on the order.

This device is shipped with the Siemens Milltronics manual CD containing the complete ATEX Quick Start and instruction manual library.

#### Selection and Ordering data

Order No.

##### Echomax® XCT-12 ultrasonic transducer

C) 7ML1136-

High-frequency ultrasonic transducer designed for a wide variety of liquid and solid applications, for use with approved controllers. Includes integral temperature sensor.

Ambient temperatures up to +145 °C (+293 °F)  
Measuring range: min. 0.6 m (2 ft), max. 12 m (40 ft)

#### Accessories

Tag, stainless steel with hole, 12 x 45 mm (0.47 x 1.77"), one text line for fastening on sensors 7ML1930-1BJ  
Submergence shield kit 7ML1830-1BJ  
Universal box bracket, mounting kit 7ML1830-1BK  
Channel bracket, wall mount 7ML1830-1BL  
Extended channel bracket, wall mount 7ML1830-1BM  
Channel bracket, floor mount 7ML1830-1BN  
Extended channel bracket, floor mount 7ML1830-1BP  
Bridge channel bracket, floor mount 7ML1830-1BQ  
(see Mounting Brackets on page 5/185 for more information)  
1" NPT locknut, plastic 7ML1830-1DS  
1" BSPT locknut, plastic 7ML1830-1DR  
Easy Aimer 304 with stainless steel coupling 7ML1830-1AU  
Easy Aimer 2, aluminum with M20 adapter and 1" and 1½" BSPT aluminum couplings 7ML1830-1AX  
Easy Aimer 304, with M20 adapter and 1" and 1½" BSPT 304 SS couplings 7ML1830-1GN

<sup>1)</sup> Available with universal flanges only

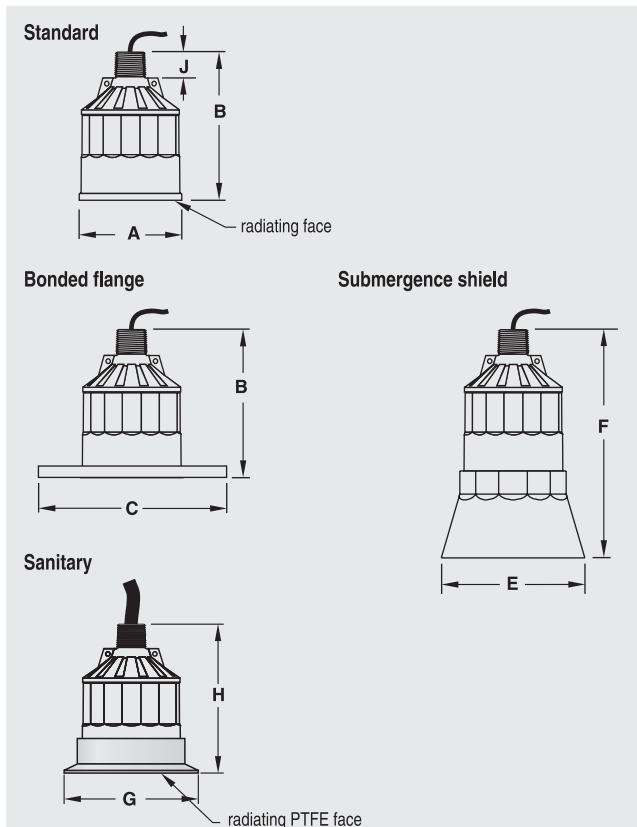
C) Subject to export regulations AL: N, ECCN: EAR99

# Level instruments

## Continuous level measurement - Ultrasonic transducers

Echomax XPS and XCT

### Dimensional drawings

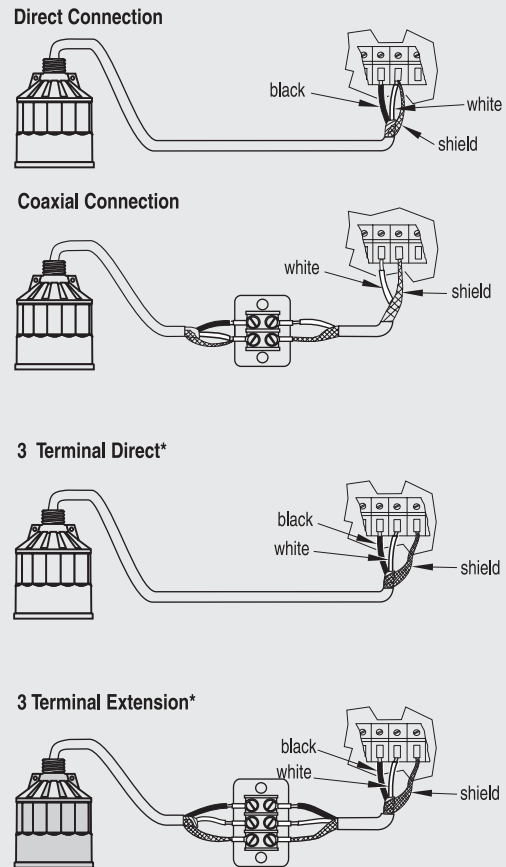


XPS and XCT ultrasonic transducer dimensions

Version				
Dimension	XPS-10	XPS-15	XPS-30	XPS-40
A	88 mm (3.464")	121 mm (4.764")	175 mm (6.890")	206 mm (8.110")
B	122 mm (4.803")	132 mm (5.197")	198 mm (7.795")	229 mm (9.016")
C	According to ASME, DIN and JIS			n/a
E	124 mm (4.882")	158 mm (6.220")	n/a	n/a
F	152 mm (5.984")	198 mm (7.795")	n/a	n/a
J	28 mm (1.1")	28 mm (1.1")	28 mm (1.1")	28 mm (1.1")

Version		
Dimension	XCT-8	XCT-12
A	88 mm (3.464")	121 mm (4.764")
B	122 mm (4.803")	132 mm (5.197")
C	According to ASME, DIN and JIS	
E	n/a	n/a
F	n/a	n/a
G	Sanitary version: 119 mm (4.68")	n/a
H	Sanitary version: 122 mm (4.8")	n/a
J	28 mm (1.1")	28 mm (1.1")

### Schematics



\* For SITRANS LUC500, MultiRanger 100/200, HydroRanger 200

#### Mounting

Make particularly sure that the radiating face of the transducer is protected from damage. Mount the transducer so that it is above the maximum material level by at least the blanking value. On liquid applications, the transducer must be mounted so that the axis of transmission is perpendicular to the liquid surface. On solids applications, a Milltronics Easy Aimer should be used to facilitate aiming the transducer. Consider the optional temperature sensor when mounting the transducer.

#### Interconnection

Do not route cable openly or near high voltage or current runs, contactors and SCR control drives. For optimum isolation against electrical noise, run cable separately in a grounded metal conduit. Seal all thread connections to prevent ingress of moisture.

XPS and XCT ultrasonic transducer connections