

Outpost WASP

Wireless Endpoint Specifications

The Outpost WASP endpoint is a revolutionary low cost monitoring solution. With no power supply or data cables required you can connect the device to any compatible meter or sensor in mobile phone coverage. Meter/sensor readings are automatically transmitted to your web site or directly to your billing system. Internal batteries will last up to 10 years.

- ✦ Environmental & Agricultural Monitoring
- ✦ Advanced Metering Infrastructure
- ✦ Smart Energy Monitoring

- Step 1** Connect to compatible meter or sensor
Step 2 Swipe magnet to activate your Outpost
Step 3 You're done! View data from your website



Outpost WASP Series logger. Smart phones can be used to assist installations.



Rechargeable Batteries

Internal rechargeable batteries designed to power direct from solar



IP68 Waterproof

Completely waterproof device. Save money on extra enclosures.



Global Coverage

Install the device anywhere with GSM mobile phone coverage

WASP	-aG	-bcccdM	-EA
Outpost Family	a = Telecommunications	b = 1 or 2 Inputs of type ccc (optional: cable length d meters)	Antenna
WASP = revolutionary monitoring end point	a = 2 = 2G = GPRS (Quad Band) a = 3 = 3G = HSPDA (Tri-band)	ccc = ENV = M12 conn with 1 x pulse & 1 x 4-20mA input, 30cm ccc = TMP = NTC thermistor temperature channel (d=1,6) ccc = SDI12 = M12 conn with SDI12 interface, 30cm	EA = external antenna (SMA)



Technical Specifications

Analog Inputs (-ENV option)

Channels	max 2 (order code)
Accuracy	0.1% (16-bit ADC)
Electrical	0-20mA, single ended
Switched Power Output (SPO) Max	50mA

Pulse/Counter (-ENV option)

Channels	max 2 (order code)
Open-circuit voltage	2.8V
Close circuit voltage threshold	1.2V
Input Impedance	1M Ω
Minimum Pulse Width	20ms
Maximum Frequency	25 Hz

Datalogger

Flash Memory	300K
Channel Sampling Rate	max 1 min per channel

Telecoms (-2G or -3G option)

2G / GPRS Frequencies	900/1800/850/1900Mhz
3G / HSDPA Frequencies	850/900/1900/2100 Mhz
Antenna Connector	SMA

Physical

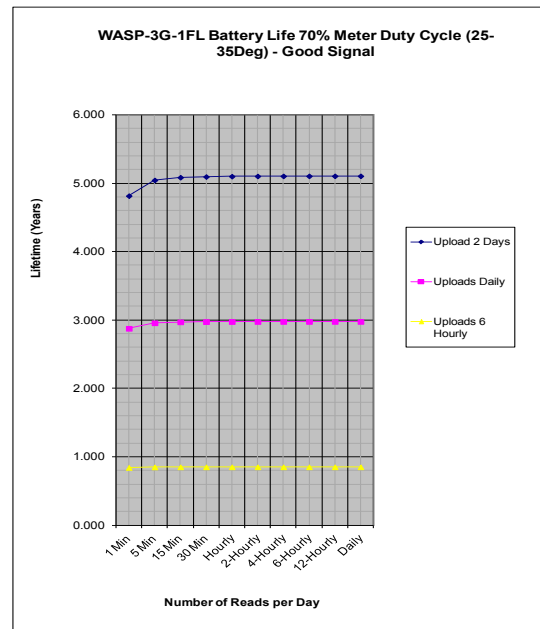
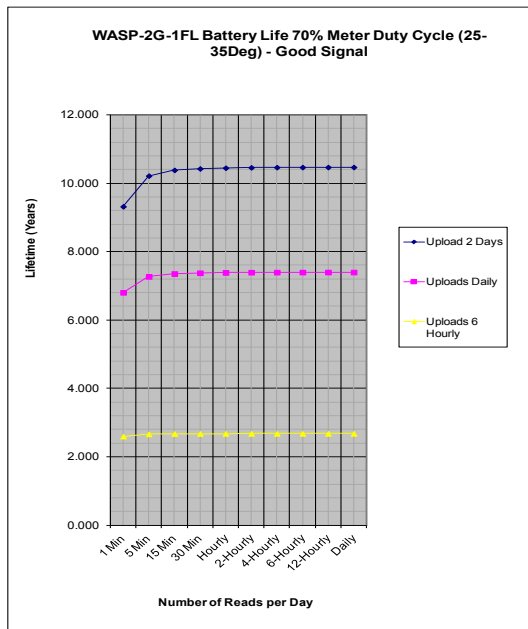
Size	110mm x55mm x40mm
Weight	255g (9 oz)
Temperature	-5 Deg C to 60 Deg C

SDI-12 Connector (-SDI12 option)

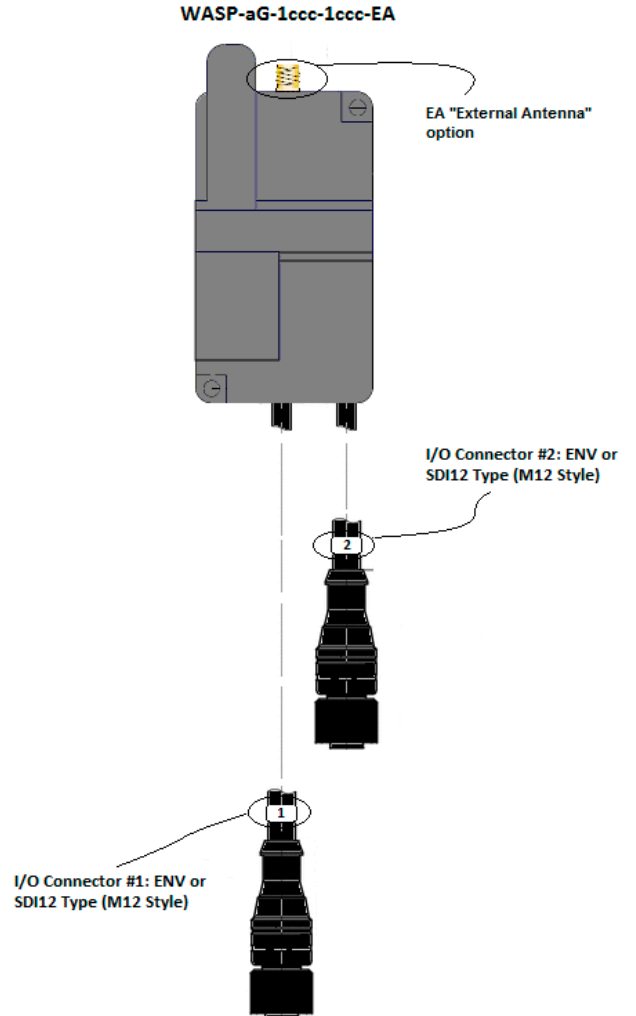
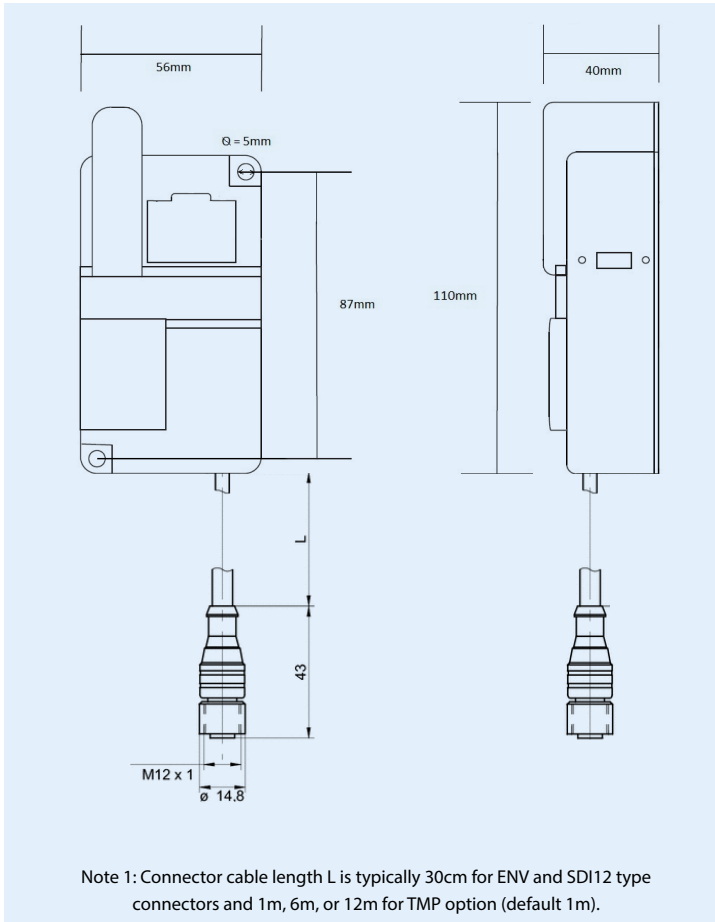
Switched Power Output (SPO) Max	50mA
---------------------------------	------

Temperature Probe (-TMP option)

Resolution	0.5 Deg C
------------	-----------



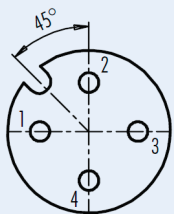
Hardware Dimensions, Product Options & Connector Pin-outs



Note 1: Connectors are labelled with a sensor connector position number only if the connector position is ambiguous

Note 2: Connectors size shown in this diagram are illustrative only - they are not drawn relative to the WASP body size

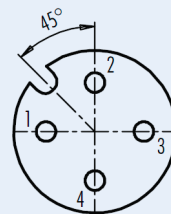
Outpost "SDI12" Type Connector (M12 Style) - Pinout



- 1 15V Switched Power Output
- 2 Data
- 3 N/C
- 4 Common (GND)

* Diagram of connector external view

Outpost "ENV" Type Connector (M12 Style) - Pinout



- 1 15V Switched Power Output
- 2 Pulse Counter Input
- 3 4-20mA Input
- 4 Common (GND)

* Diagram of connector external view

WASP Series Product Codes

WASP-2G-1TMP	WASP 2G (GPRS) logger with 1 x Temperature probe
WASP-2G-2TMP	WASP 2G (GPRS) logger with 2 x Temperature probes
WASP-2G-1SDI12	WASP 2G (GPRS) logger with 1 x SDI12 Conns
WASP-2G-2SDI12	WASP 2G (GPRS) logger with 2 x SDI12 Conns
WASP-2G-1ENV	WASP 2G (GPRS) logger with 1 x ENV Conn (1 x Counter and 1 x 4-20mA channel)
WASP-2G-2ENV	WASP 2G (GPRS) logger with 2 x ENV Conns (each with 1 x Counter and 1 x 4-20mA channel)
WASP-2G-1ENV-1SDI12	WASP 2G (GPRS) logger with 1 x ENV Conn (1 x Counter and 1 x 4-20mA channel) & 1 x SDI12 Conn
WASP-2G-1ENV-1TMP	WASP 2G (GPRS) logger with 1 x ENV Conn (1 x Counter and 1 x 4-20mA channel) & 1 x Temperate probe
WASP-2G-1SDI12-1TMP	WASP 2G (GPRS) logger with 1 x SDI12 Conn & 1 x Temperate probe
WASP-2G-1TMP-EA	WASP 2G (GPRS) logger with 1 x Temperature probe, External Antenna
WASP-2G-2TMP-EA	WASP 2G (GPRS) logger with 2 x Temperature probes, External Antenna
WASP-2G-1SDI12-EA	WASP 2G (GPRS) logger with 1 x SDI12 Conns, External Antenna
WASP-2G-2SDI12-EA	WASP 2G (GPRS) logger with 2 x SDI12 Conns, External Antenna
WASP-2G-1ENV-EA	WASP 2G (GPRS) logger with 1 x ENV Conn (1 x Counter and 1 x 4-20mA channel), External Antenna
WASP-2G-2ENV-EA	WASP 2G (GPRS) logger with 2 x ENV Conns (each with 1 x Counter and 1 x 4-20mA channel), External Antenna
WASP-2G-1ENV-1SDI12-EA	WASP 2G (GPRS) logger with 1 x ENV Conn (1 x Counter and 1 x 4-20mA channel) & 1 x SDI12 Conn, External Antenna
WASP-2G-1ENV-1TMP-EA	WASP 2G (GPRS) logger with 1 x ENV Conn (1 x Counter and 1 x 4-20mA channel) & 1 x Temperate probe, External Antenna
WASP-2G-1SDI12-1TMP-EA	WASP 2G (GPRS) logger with 1 x SDI12 Conn & 1 x Temperate probe, External Antenna
WASP-3G-1TMP	WASP 3G (HSDPA) logger with 1 x Temperature probe
WASP-3G-2TMP	WASP 3G (HSDPA) logger with 2 x Temperature probes
WASP-3G-1SDI12	WASP 3G (HSDPA) logger with 1 x SDI12 Conns
WASP-3G-2SDI12	WASP 3G (HSDPA) logger with 2 x SDI12 Conns
WASP-3G-1ENV	WASP 3G (HSDPA) logger with 1 x ENV Conn (1 x Counter and 1 x 4-20mA channel)
WASP-3G-2ENV	WASP 3G (HSDPA) logger with 2 x ENV Conns (each with 1 x Counter and 1 x 4-20mA channel)
WASP-3G-1ENV-1SDI12	WASP 3G (HSDPA) logger with 1 x ENV Conn (1 x Counter and 1 x 4-20mA channel) & 1 x SDI12 Conn
WASP-3G-1ENV-1TMP	WASP 3G (HSDPA) logger with 1 x ENV Conn (1 x Counter and 1 x 4-20mA channel) & 1 x Temperate probe
WASP-3G-1SDI12-1TMP	WASP 3G (HSDPA) logger with 1 x SDI12 Conn & 1 x Temperate probe
WASP-3G-1TMP-EA	WASP 3G (HSDPA) logger with 1 x Temperature probe
WASP-3G-2TMP-EA	WASP 3G (HSDPA) logger with 2 x Temperature probes
WASP-3G-1SDI12-EA	WASP 3G (HSDPA) logger with 1 x SDI12 Conns, External Antenna
WASP-3G-2SDI12-EA	WASP 3G (HSDPA) logger with 2 x SDI12 Conns, External Antenna
WASP-3G-1ENV-EA	WASP 3G (HSDPA) logger with 1 x ENV Conn (1 x Counter and 1 x 4-20mA channel), External Antenna
WASP-3G-2ENV-EA	WASP 3G (HSDPA) logger with 2 x ENV Conns (each with 1 x Counter and 1 x 4-20mA channel), External Antenna
WASP-3G-1ENV-1SDI12-EA	WASP 3G (HSDPA) logger with 1 x ENV Conn (1 x Counter and 1 x 4-20mA channel) & 1 x SDI12 Conn, External Antenna
WASP-3G-1ENV-1TMP-EA	WASP 3G (HSDPA) logger with 1 x ENV Conn (1 x Counter and 1 x 4-20mA channel) & 1 x Temp probe, External Antenna
WASP-3G-1SDI12-1TMP-EA	WASP 3G (HSDPA) logger with 1 x SDI12 Conn & 1 x Temperate probe, External Antenna

WASP Accessories

ACC-ANT-ENV-3DB-850	Accessory, Antenna for Environmental applications with 5m cable and mounting bracket, 3dB gain @ 850Mhz
ACC-ANT-ENV-3DB-900	Accessory, Antenna for Environmental applications with 5m cable and mounting bracket, 3dB gain @ 850Mhz
ACC-CONN-M12-6MM	Accessory, Connector for sensors & meters, M12 style, cable gland for max 6mm cable, internal screw assembly
ACC-CONN-M12-8MM	Accessory, Connector for sensors & meters, M12 style, cable gland for max 8mm cable, internal screw assembly