

Data Sheet

Wildeye 4G IoT Logger

Description

The Wildeye is a revolutionary device that connects meters & sensors directly to your phone - out of the box.

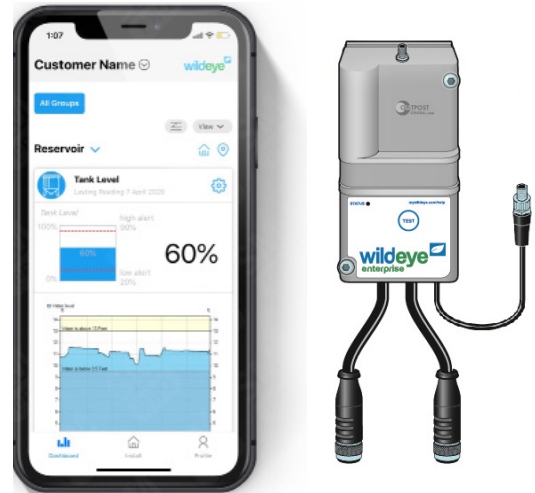
Connect your Wildeye to any compatible meter or sensor in 4G coverage and continuously monitor sensors and meters, control remote pumps and valves, and generate alerts and reports.

Wildeye comes with a website subscription that allows you to view data on graphs, dashboards or map views, and to configure and control your fleet of devices.

<https://info.mywildeye.com/hc/en-us>

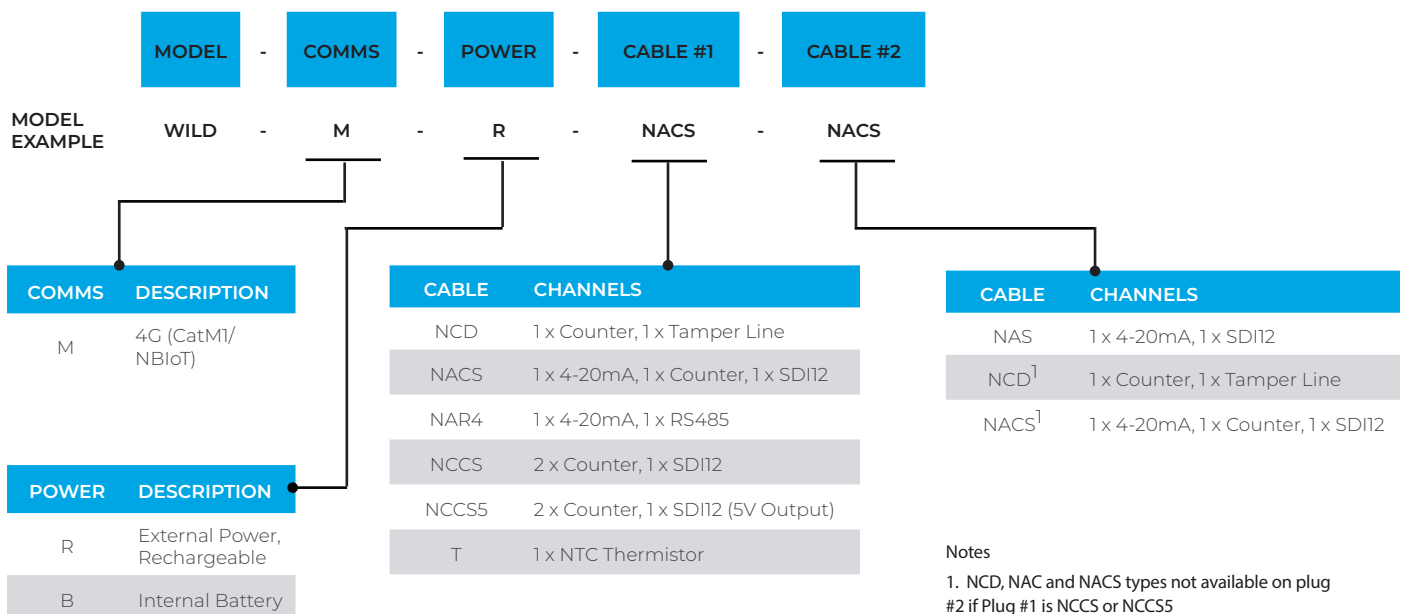
Features

- Connect any meter or sensor
- IP68 Waterproof
- SIM card builtin for Verizon, Telstra, or Vodafone Global connectivity
- Rechargeable version runs directly from solar panel
- Long-life version lasts up to 6 years
- Power from any 8-24V DC power source
- Waterproof external battery packs available to allow battery swapping
- Monitor up to 12 meters/sensors from a single wildeye
- Add extra sensors with Expander modules



Wildeye 4G IoT logger - rechargeable, 2 cable version with example iPhone app screenshot

Meter & Sensor Interfaces



Wildeye USA
5811 E. Princeton Ave.
Fresno, CA 93727
(559) 290-7915

Wildeye Australia
61 Carrington Street
Nedlands WA 6010
1300 WILDEYE

Wildeye New Zealand
16 York Street
Parnell, Auckland
0800 WILDEYE



Data Sheet

Wildeye 4G IoT Logger

Hardware

Analog Inputs (available on supported models)

Channels	max 2 native (up to 12 with expanders)
Type	0-20mA (0-5V, resistance w/ expanders)
4-20mA Accuracy	0.3%
Electrical	0-20mA, single ended
Switched Power (SPO)	150mA Max @ 12V

Pulse Counter Inputs (available on supported models)

Channels	max 2 native
Open-circuit voltage	2.8V
Close circuit voltage threshold	1.2V
Input Impedance	1 MOhm
Minimum Pulse Width	20 ms
Maximum Frequency	25 Hz

Datalogger

Max Datapoints backup capacity	200,000 Datapoints
--------------------------------	--------------------

Digital Interfaces (available on supported models)

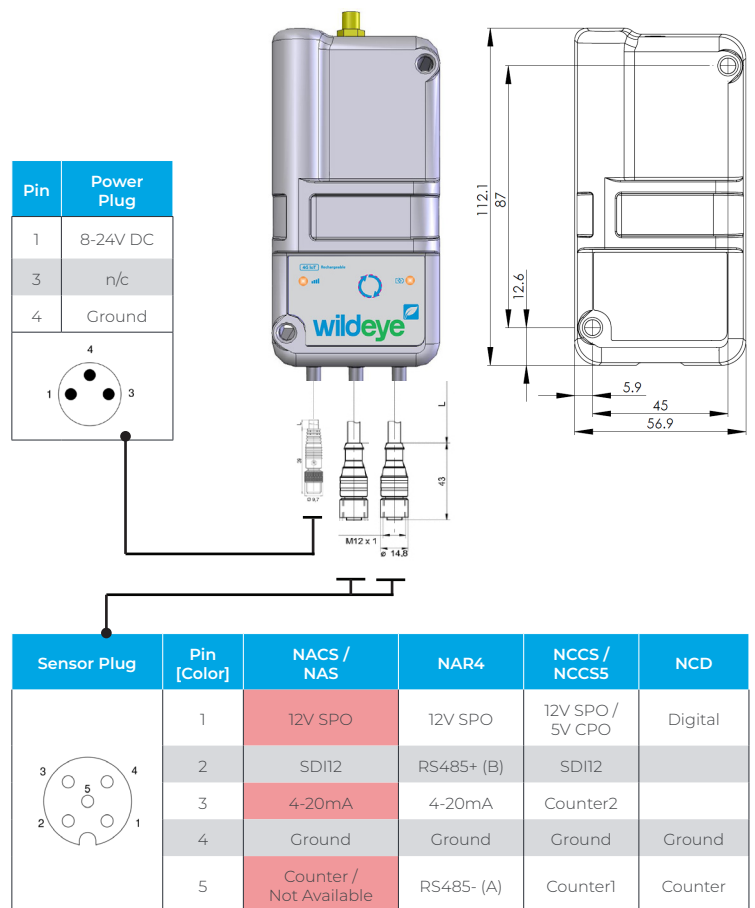
Types Supported	Native: SDI-12, RS-485 MOD-BUS (half duplex) with Expander: RS-232, TTL
SDI-12, RS-485 Connections	Max 12

Physical

Size	4.33in x 2.17in x 1.58in (110mm x 55mm x 40mm)
Weight	9 oz (255g)
Operating Temperature	23 °F to 140 °F (-5 °C to 60 °C)

Telecommunications

4G [CatM1/NBLoT] Frequencies	3GPP Release 13 Bands: 1-5, 8,12,13,18-20,25,26,28 Freq: 700, 750, 800, 850, 900 1700, 1800, 1900, 2100 MHz
4G [CatM1/NBLoT] Power Output	LTE Cat M1 / NB19 : Class 3 (23 dBm, 200mW)
Antenna Plug Type	SMA



Note: Connector cable length L is typically 1ft (30 cm)

Wildeye USA
5811 E. Princeton Ave.
Fresno, CA 93727
(559) 290-7915

Wildeye Australia
61 Carrington Street
Nedlands WA 6010
1300 WILDEYE

Wildeye New Zealand
16 York Street
Parnell, Auckland
0800 WILDEYE

