

## Flow Measurement

### SITRANS F C

#### Transmitter MASS 6000 for 19" insert/19" wall mounting

##### Overview



MASS 6000 is based on digital signal processing technology – engineered for high performance, fast flow step response, fast batching applications, high immunity against process noise, easy to install, commission and maintain. The MASS 6000 transmitter delivers true multi parameter measurements i.e.: Mass flow, volume flow, density, temperature and fraction.

The MASS 6000 19" transmitter can be connected to all sensors of types MASS 2100/FC300/FCS200 and are available in different versions depending of number of output facilities, Ex protection and grade of enclosure.

##### Benefits

- Dedicated mass flow chip with the latest ASIC technology
- Fast batching and flow step response with an update rate of true 30 Hz
- Superior noise immunity due to a DFT (Discrete Fourier Transformation) algorithm.
- Front end resolution better than 0.35 ns improves zero point stability and enhances dynamic turn-down ratio on flow and density accuracy.
- Advanced diagnosis and service menu enhances troubleshooting and meter verification.
- Built-in batch controller with compensation and monitoring comprising 2 built-in totalizers
- Multi-parameter outputs, individual configurable for mass flow, volume flow, density, temperature or fraction flow such as Brix or Plato
- Many output capacities, up to 3 current, 2 frequency/pulse and 2 relay outputs (excludes the possibility of an add-on module)
- Digital input for batch-control, remote zero adjust or forced output mode
- All outputs can be forced to preset value for simulation, verification or calibration purposes.
- User-configurable operation menu with password protection
  - 3 lines, 20 characters display in 11 languages
  - Self-explaining error handling/log in text format
  - Keypad can be used for controlling batch as start/stop/hold/reset

- SENSORPROM technology automatically configures transmitter at start-up providing:
  - Factory pre-programming with calibration data, pipe size, sensor type, output settings
  - Any values or settings changed by users are stored automatically
  - Automatically re-programming any new transmitter without loss of accuracy
  - Transmitter replacement in less than 5 minutes. True "plug & play"
- 4-wire Pt1000 temperature measurement ensures optimum accuracy on mass flow, density and fraction flow
- Fraction flow computation based on a 3rd-order algorithm matching all applications
- USM II platform enables fitting of add-on bus modules without loss of functionality.
  - All modules can be fitted as true "plug & play"
  - Module and transmitter automatically configured through the SENSORPROM.
- Transmitter available with Ex approvals
- All electrical connections are easily accessible on the large back plane PCB

##### Application

SITRANS F C Coriolis mass flowmeters are suitable for all applications within the entire process industry, where there is a demand for accurate flow measurement. The meter can measure both liquids and gases.

The main applications for the MASS 6000 19" transmitter can be found in:

- Chemical and pharmaceutical industries
- Food and beverage industries
- Automotive industry
- Oil and gas industry
- Power generation and utility industry
- Water and waste water industry

##### Design

The transmitter is designed as a 19" insert as base to be used in:

- 19" rack system
- Panel mounting IP65
- Back of panel mounting IP20
- Wall mounting IP66

The MASS 6000 19" is available as standard or as Ex-approved transmitter which is to be mounted in the safe area.

##### Note

Due to RoHs directives active from July 22<sup>nd</sup> 2017, MASS 6000 transmitters of any model and variants are not for sale within EU, EU candidate countries, Norway, Switzerland, Iceland, Croatia, and Turkey.

Replacement products: 7ME461.-..., 7ME462.-..., 7ME471.-... and 7ME481.-...

Repair parts for MASS 6000 (all models and variants) are available. See spare part list.

### Transmitter MASS 6000 for 19" insert/19" wall mounting

#### Function

The following functions are available:

- Mass flow rate, volume flow rate, density, temperature, fraction flow
- 2 output versions available as standard:
  - 1 current output, 1 frequency/pulse output, 1 relay output, 1 digital input
  - 3 current outputs, 2 frequency/pulse outputs, 2 relay outputs, 1 digital input
- All outputs can be individually configured with mass, volume, density etc.
- 2 built-in totalizers which can count positive, negative or net
- Low flow cut-off
- Density cut-off or empty pipe cut-off, adjustable
- Flow direction
- Error system consisting of error-log, error pending menu
- Operating time
- Uni/bidirectional flow measurement
- Limit switches with 1 or 2 limits, programmable for flow, density or temperature
- Noise filter setting for optimization of measurement performance under non-ideal application conditions
- Full batch controller
- Automatic zero adjustment menu, with zero point evaluation feed-back
- Full service menu for effective and straight forward application and meter troubleshooting

#### Technical specifications

<b>Measurement of</b>	Mass flow [kg/s (lb/min)], volume flow [l/s (gpm)], fraction [%], °Brix, density [kg/m <sup>3</sup> (lb/ft <sup>3</sup> )], temperature [°C (°F)]
<b>Current output</b>	
Current	0 ... 20 mA or 4 ... 20 mA
Load	< 800 Ω
Time constant	0 ... 99.9 s adjustable
<b>Digital output</b>	
Frequency	0 ... 10 kHz, 50 % duty cycle
Time constant	0 ... 30 s adjustable
Active	24 V DC, 30 mA, 1 KΩ ≤ R <sub>load</sub> ≤ 10 KΩ, short-circuit-protected
Passive	3 ... 30 V DC, max. 110 mA, 250 Ω ≤ R <sub>load</sub> ≤ 10 KΩ
<b>Relay</b>	
Type	Change-over relay
Load	42 V/2 A peak
Functions	Error level, error number, limit, direction
<b>Digital input</b>	11 ... 30 V DC
Functionality	Start/hold/continue batch, zero point adjust, reset totalizer 1/2, force output, freeze output
<b>Galvanic isolation</b>	All inputs and outputs are galvanically isolated. Isolation voltage: • 500 V to supply • 50 V between outputs
<b>Cut-off</b>	
Low-flow	0 ... 9.9 % of maximum flow

<b>Limit function</b>	Mass flow, volume flow, fraction, density, sensor temperature
<b>Totalizer</b>	Two eight-digit counters for forward, net or reverse flow
<b>Display</b>	<ul style="list-style-type: none"> <li>• Background illumination with alphanumeric text, 3 × 20 characters to indicate flow rate, totalized values, settings and faults</li> <li>• Reverse flow indicated by negative sign</li> </ul>
<b>Zero point adjustment</b>	Via keypad or remote via digital input
<b>Ambient temperature</b>	
Operation	-20 ... +50 °C (-4 ... +122 °F)
Storage	-40 ... +70 °C (-40 ... +158 °F) (Humidity max. 95 %)
<b>Communication</b>	Add-on modules: HART, PROFIBUS PA and DP, Modbus RTU RS 485, DeviceNet, FOUNDATION Fieldbus H1
<b>Enclosure 19"</b>	
Material	Aluminum/steel (DIN 41494)
Rating	IP20
Mechanical load	18 ... 1000 Hz random, 3.17 g RMS, in all directions
<b>Supply voltage</b>	
24 V version	
• Supply	24 V DC/AC, 50 ... 60 Hz
• Fluctuation	18 ... 30 V DC 20 ... 30 V AC
• Power consumption	6 W I <sub>N</sub> = 250 mA, I <sub>ST</sub> = 2 A (30 ms)
230 V version	
• Supply	87 ... 253 V AC, 50 ... 60 Hz
• Power consumption	9 VA
<b>Fuse</b>	
230 V version	T 400 mA, T 250 V (IEC 127) - not replaceable by operator
24 V version	T 1 A, T 250 V (IEC 127) - not replaceable by operator
<b>EMC performance</b>	
Emission	EN 55011/CISPR-11 (Class A)
Immunity	EN/IEC 61236-1 (Industry)
<b>Ex approval</b>	ATEX, EAC Ex: [Ex ia] IIC
<b>Maintenance</b>	The flowmeter has a built-in error log/pending menu which should be inspected on a regular basis.
<b>Cable</b>	<ul style="list-style-type: none"> <li>• Max. 300 m</li> <li>• C: max. 300 [pF/m]; L<sub>C</sub>/R<sub>C</sub>: max. 100 [μH/Ω]</li> <li>• The total cable capacity must be max. 200 nF.</li> </ul>
<b>Cable glands</b>	The cable gland is available in polyamide, in dimension: PG 13.5

#### Note

Due to RoHS directives active from July 22<sup>nd</sup> 2017, MASS 6000 transmitters of any model and variants are not for sale within EU, EU candidate countries, Norway, Switzerland, Iceland, Croatia, and Turkey.

Replacement products: 7ME461.-..., 7ME462.-..., 7ME471.-... and 7ME481.-...

Repair parts for MASS 6000 (all models and variants) are available. See spare part list.

## Flow Measurement

### SITRANS F C

#### Transmitter MASS 6000 for 19" insert/19" wall mounting

Selection and Ordering data	Article No.
<b>SITRANS F C MASS 6000 transmitter</b>	<b>7ME4110 -</b>
Transmitter for rack and wall mounting, incl. connection board	2 ■■■■ - ■■ A 0
↗ Click on the Article No. for the online configuration in the PIA Life Cycle Portal.	
<b>Enclosure</b>	
19 inch insert IP20 (rack mount, purchase rack separately)	C
19 inch insert in IP65 (wall mount, enclosure included)	E
<b>Output configuration</b>	
1 current, 1 frequency, 1 relay	A
3 current, 2 frequency, 2 relay	C
<b>Supply voltage</b>	
115/230 V AC, 50/60 Hz	1
24 V AC/DC	2
<b>Ex Approvals</b>	
Standard (No Ex-approval)	0
With Ex approval	1
<b>Display/Keypad</b>	
With display	1
<b>Serial communication</b> (Only possible to connect to MASS 6000 version with 1 current output)	
No communication	A
HART	B
PROFIBUS PA Profile 3	F
PROFIBUS DP Profile 3	G
Modbus RTU RS 485	E
DeviceNet	H
FOUNDATION Fieldbus H1	J

#### Operating instructions for SITRANS F C MASS 6000 19"


Description	Article No.
• English	<b>A5E02944875</b>

All literature is available to download for free, in a range of languages, at [www.siemens.com/processinstrumentation/documentation](http://www.siemens.com/processinstrumentation/documentation)

#### Accessories

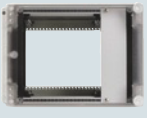

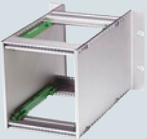


##### Enclosure (without PCB, connection board)

Description	Article No.
IP66/NEMA 4X, wall mounting enclosure for 19" inserts	<b>FDK:083F5037</b>
• 21 TE	




##### Enclosure

Description	Article No.
Panel mounting enclosure for 19" insert (21 TE); IP65/NEMA 2 enclosure in ABS plastic for front panel mounting	<b>FDK:083F5030</b>
Panel mounting enclosure for 19" insert (42 TE); IP65/NEMA 2 enclosure in ABS plastic for front panel mounting	<b>FDK:083F5031</b>
Back of panel mounting enclosure for 19" insert (21 TE); IP20/NEMA 1 enclosure in aluminum	<b>FDK:083F5032</b>
Back of panel mounting enclosure for 19" insert (42 TE); IP20/NEMA 1 enclosure in aluminum	<b>FDK:083F5033</b>
Front cover (7TE) for panel mounting enclosure	<b>FDK:083F4525</b>

##### Cable glands

Description	Article No.
<b>Cable gland, screwed entry, type M20</b> , in polyamide (100 °C (212 °F)) black, 2 pcs.	<b>A5E00822490</b>



## Transmitter MASS 6000 for 19" insert/19" wall mounting

Add-on module

Note:  
Only possible to connect to MASS 6000 versions with 1 current output.

Description	Article No.
HART (Ex-i)	<b>FDK:085U0226</b>
PROFIBUS PA Profile 3 (Ex-i)	<b>FDK:085U0236</b>
PROFIBUS DP Profile 3	<b>FDK:085U0237</b>
Modbus RTU RS 485	<b>FDK:085U0234</b>
FOUNDATION Fieldbus H1 (Ex-i)	<b>A5E02054250</b>
DeviceNet	<b>FDK:085U0229</b>

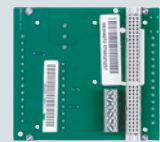
Operating instructions for SITRANS F add-on modules

Description	Article No.
HART • English	<b>A5E03089708</b>
PROFIBUS PA/DP • English • German	<b>A5E00726137</b> <b>A5E01026429</b>
Modbus • English • German	<b>A5E00753974</b> <b>A5E03089262</b>
FOUNDATION Fieldbus • English • German	<b>A5E02318728</b> <b>A5E02488856</b>
DeviceNet • English	<b>A5E03089720</b>

All literature is available to download for free, in a range of languages, at [www.siemens.com/processinstrumentation/documentation](http://www.siemens.com/processinstrumentation/documentation)

Connection boards/PCB for MASS 6000 and MASS 2100 sensors

Description	Version	Article No.
Connection board MASS 6000 for 19" IP20 rack mounting version	24 V 115/230 V	<b>FDK:083H4272</b>
Connection board MASS 6000 Ex [ia] IIC for 19" IP20 rack mounting version	24 V 115/230 V	<b>FDK:083H4273</b>
Connection board MASS 6000 for 19" wall mounting version, for enclosure FDK:083F5037/FDK:083F5038	24 V 115/230 V	<b>FDK:083H4274</b>
Connection board MASS 6000 Ex [ia] IIC for 19" wall mounting version, for enclosure FDK:083F5037/FDK:083F5038	24 V 115/230 V	<b>FDK:083H4275</b>

Connection boards/PCB for MASS 6000 and MC2 sensors

Description	Version	Article No.
Connection board MASS 6000 for 19" IP20 rack mounting version	24 V 115/230 V	<b>FDK:083H4272</b>
Connection board MASS 6000 for Ex application <sup>1)</sup> and 19" IP20 rack mounting version (connection board MASS 6000 to MC2 sensors Ex-approved)	24 V 115/230 V	<b>FDK:083H4294</b>
Connection board MASS 6000 for 19" wall mounting version, for enclosure FDK:083F5037/FDK:083F5038	24 V 115/230 V	<b>FDK:083H4274</b>
Connection board MASS 6000 for Ex application <sup>1)</sup> and 19" wall mounting version (connection board MASS 6000 to MC2 sensors Ex-approved), for enclosure FDK:083F5037/FDK:083F5038	24 V 115/230 V	<b>FDK:083H4295</b>



<sup>1)</sup> Attention (Ex application): MC2 Ex version sensors must only be connected to connection board FDK:083H4294 or FDK:083H4295.

Description	Article No.
Wall mounting enclosure in ABS plastic IP65 with connection board/PCB for Ex application connected to MC2 Ex sensors	<b>FDK:083H4296</b>






## Flow Measurement

### SITRANS F C

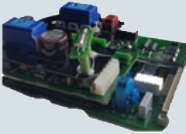








#### Transmitter MASS 6000 for 19" insert/19" wall mounting

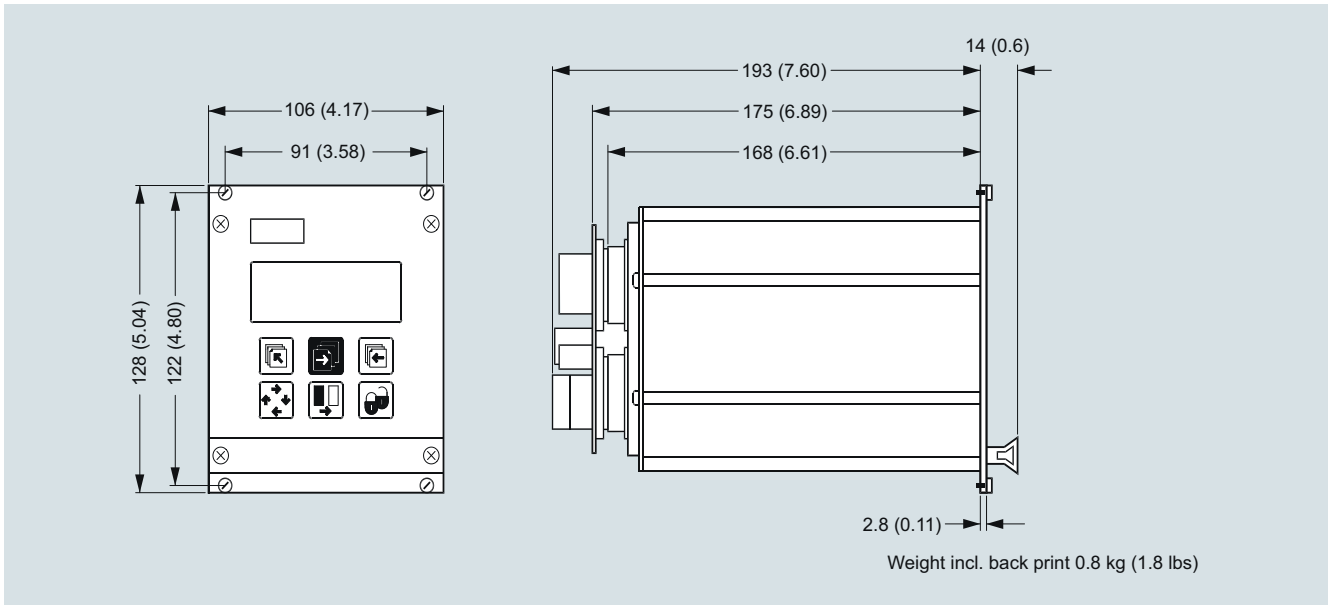
##### Spare parts 19" versions

Enclosure (without PCB, connection board)

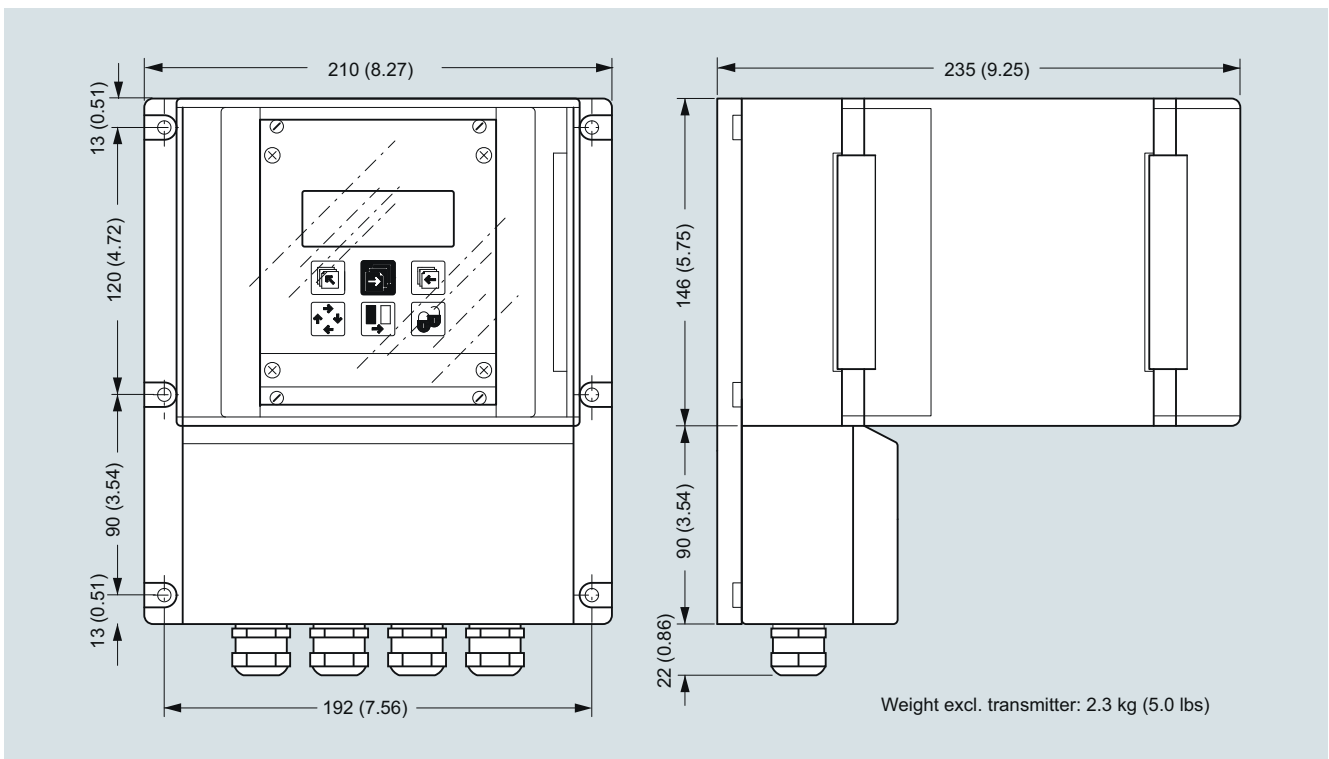
Description	Article No.	
IP66/NEMA 4X, wall mounting enclosure for 19" inserts (without back plates). Use with PCB A5E02559813 or A5E02559814		
• 21 TE	<b>FDK:083F5037</b>	
• 42 TE	<b>FDK:083F5038</b>	
Display unit for 19" versions Order the Display and Keypad accessory from MASS 6000 IP67 compact/remote (FDK:085U1039) and use the display part only for replacement	<b>FDK:085U1039</b>	

##### Add-on spare parts required due to RoHs directives and EoL for EU and EU related countries

Description	Article No.	
<b>MASS 6000 IP67 Spare part PCB main</b>		
• 230 V	<b>A5E41718138</b>	
• 24 V	<b>A5E41718346</b>	
<b>MASS 6000 19"/IP20 Spare part PCB main</b>		
• 1 current output 230 V	<b>A5E43226138</b>	
• 3 current outputs 230 V	<b>A5E43226145</b>	
• 1 current output 24V	<b>A5E43226154</b>	
• 3 current outputs 24 V	<b>A5E43226168</b>	
<b>MASS 6000 19"/IP20 Ex Spare part PCB main</b>		
• 1 current output 230 V	<b>A5E43226277</b>	
• 3 current outputs 230 V	<b>A5E43226342</b>	
• 1 current output 24V	<b>A5E43226441</b>	
• 3 current outputs 24 V	<b>A5E43226455</b>	
<b>MASS 6000 Ex d, Spare part PCB</b>	<b>FDK:083H3061</b>	
Stainless steel, without module		
<b>MASS 6000 Ex d, Spare part barriere</b>	<b>A5E41718720</b>	
Stainless steel		
<b>MASS 6000 19"/IP20, Barriere PCB, Ex</b>	<b>A5E41718669</b>	
<b>MASS 6000 Ex d, Connection board</b>	<b>A5E41718522</b>	
Stainless steel		
<b>MASS 6000 IP20, Front plate</b>	<b>A5E41718695</b>	
Without display		
<b>MASS 6000 IP20, Front plate, Ex</b>	<b>A5E41718706</b>	
Without display		

**Dimensional drawings**Transmitter 19" insert

Dimensions in mm (inch)

Transmitter 19" wall mounting

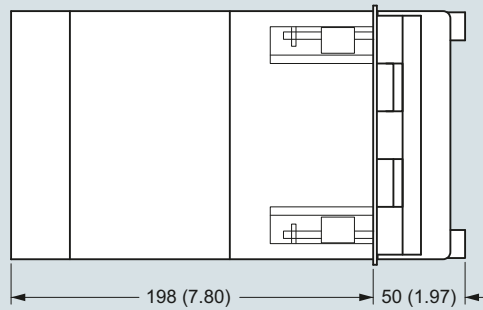
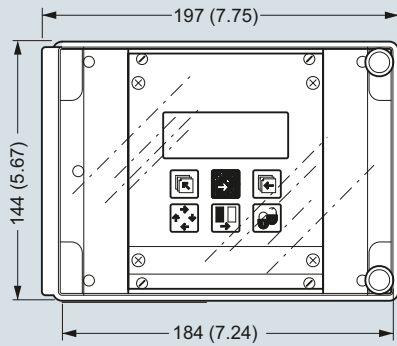
Dimensions in mm (inch)

## Flow Measurement

### SITRANS F C

#### Transmitter MASS 6000 for 19" insert/19" wall mounting

##### Transmitter 19" front of panel

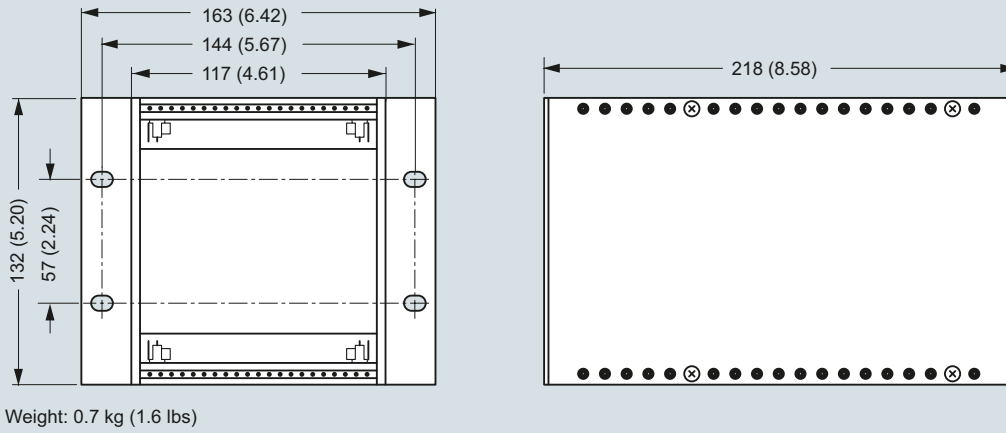


Weight excl. transmitter: 1.2 kg (2.7 lbs)

Dimensions in mm (inch)

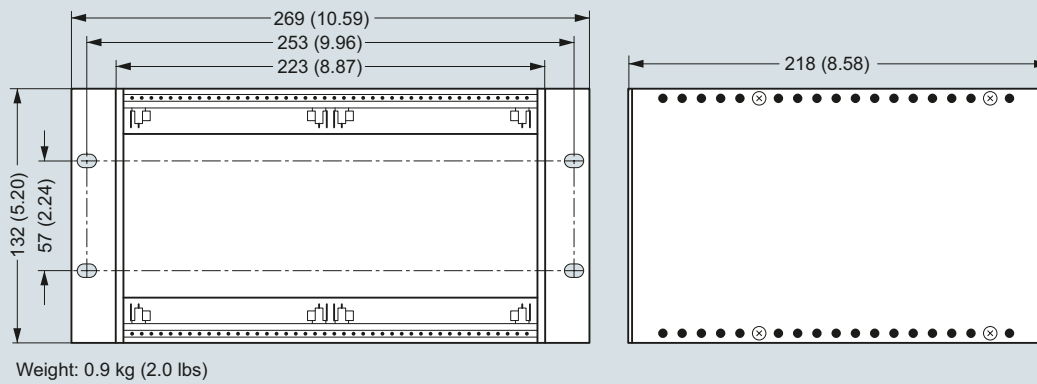
3

**Transmitter, back of panel IP20/NEMA 1, 21 TE**



Dimensions in mm (inch)

**Transmitter, back of panel IP20/NEMA 1, 42 TE**



Dimensions in mm (inch)



# Flow Measurement

## SITRANS F C

### Transmitter MASS 6000 for 19" insert/19" wall mounting

#### Schematics

##### Electrical connection

###### Grounding

PE must be connected due to safety class 1 power supply.

###### Mechanical counters

When mounting a mechanical counter to terminals 57 and 58 (active output), a 1000  $\mu$ F min. 35 V electrolytic capacitor must be connected to the terminals 56 and 58. Capacitor + is connected to terminal 56 and capacitor - to terminal 58.

###### Output cables

If long cables are used in noisy environment, it is recommended to use shielded cables.

3

